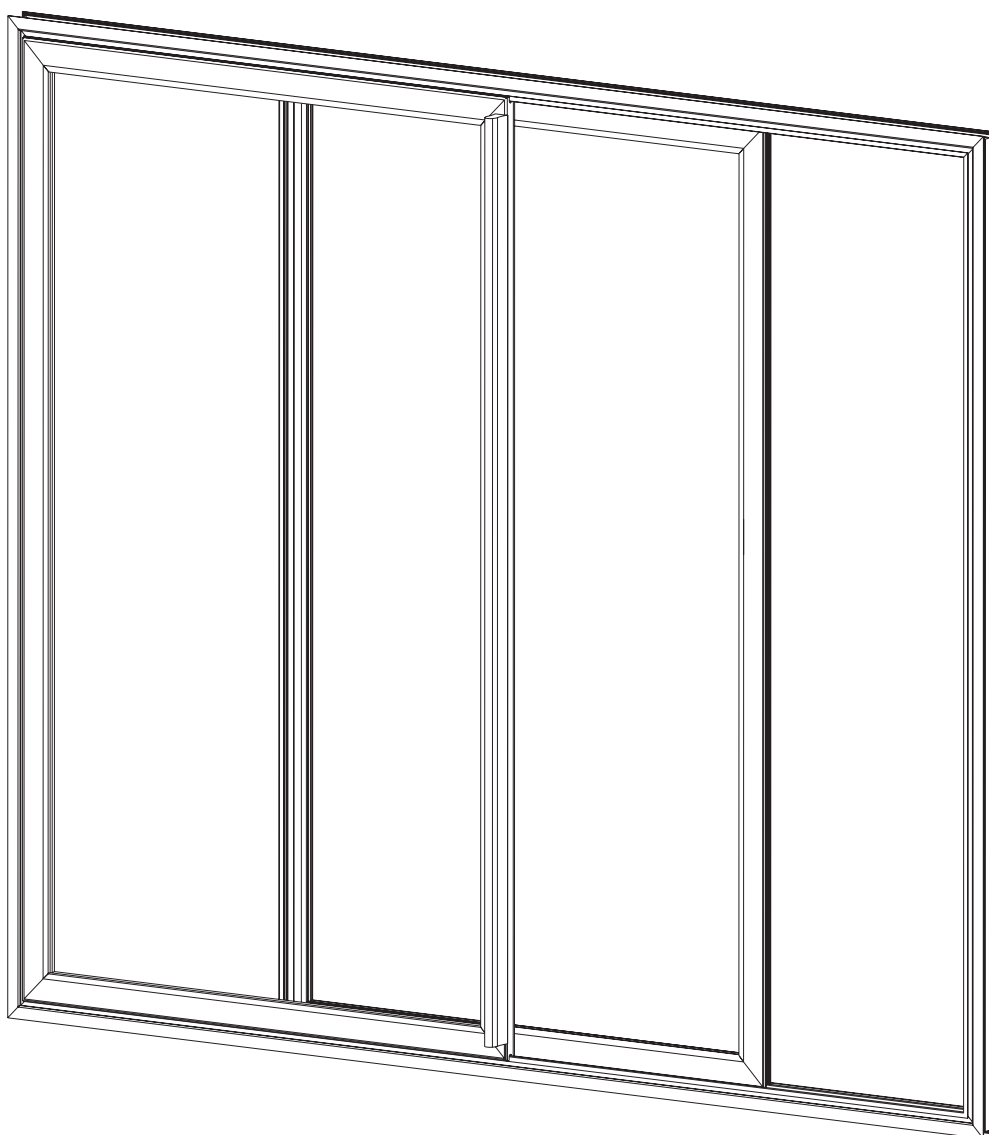




ANSO
ALUMINIUM

540 MULTI SLIDING WINDOW



PRODUCT MANUAL

Disclaimer: The right to make alterations is reserved

© 2010 Wispeco (Pty) Ltd, All Rights Reserved

November 2010



LEGAL DISCLAIMER

All information, recommendations or advice contained in this documentation is given in good faith to the best of Wispeco's knowledge and is based on current procedures in effect.

Since the actual use of this documentation by the user is beyond the control of Wispeco, such use is within the exclusive responsibility of the user. Wispeco cannot be held responsible for any loss incurred through incorrect or faulty use of this documentation.

Great care has been taken to ensure that the information provided is correct. Wispeco will accept no responsibility for any errors and/or omissions, which may have inadvertently occurred.

All mechanical joints must be sealed with a Wispeco approved joint sealer.

Laminated glass must not stand in water.

All drawings in the Wispeco Documentation are shown NOT to scale.

Wispeco cannot accept responsibility for the use of standard products since Wispeco does not know where these products are being installed.

The use of anti-magnetic stainless steel screws and pop rivets is recommended to reduce galvanic corrosion in harsh environments.

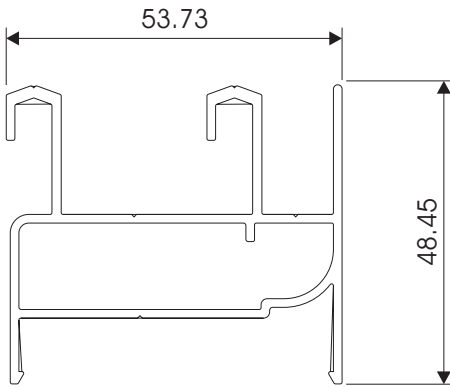
The hardware recommended in this documentation is suitable for use in most atmospheric environments. When hardware is used in severe coastal environments the manufacturer of the hardware must be consulted.

Fixing lugs on frames must be positioned as per the user manual and used in accordance to the AAAMSA specifications. When profiles are screwed together the screw centers must also be according to the user manual.

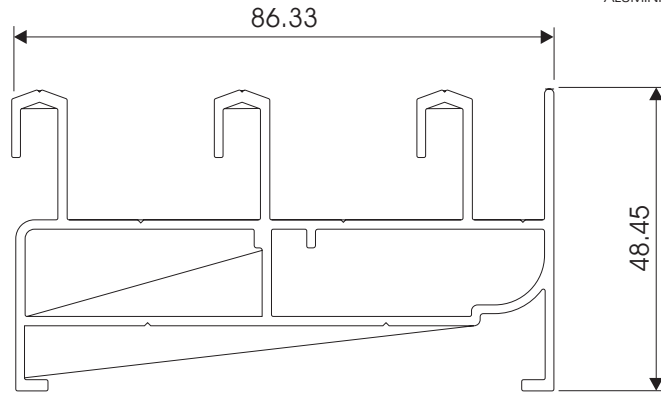
All glass used within Wispeco products must comply with SAGGA regulations.

By continuing to use this documentation you acknowledge that you understand and accept the legal disclaimer.

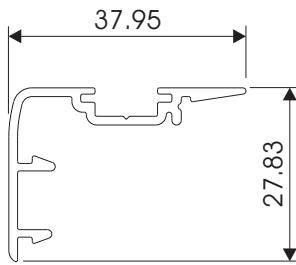
540 MULTI SLIDING WINDOW SECTION IDENTIFICATION



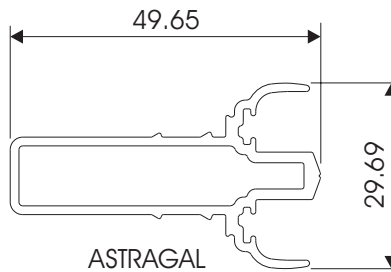
DOUBLE TRACK OUTER FRAME
W53909



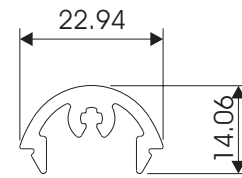
TRIPLE TRACK OUTER FRAME
W54045



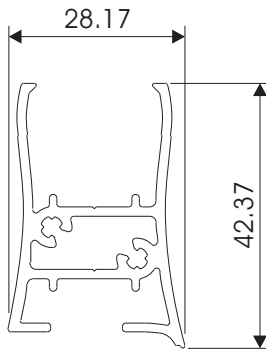
INTERLOCKER
W28554



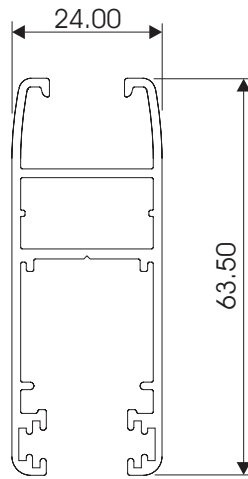
ASTRAGAL
W54023



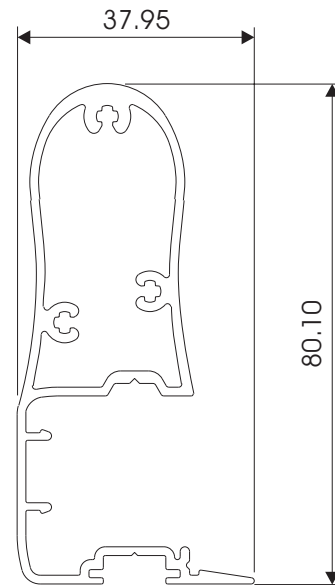
HEAVY DUTY
HANDLE CAP
W28819



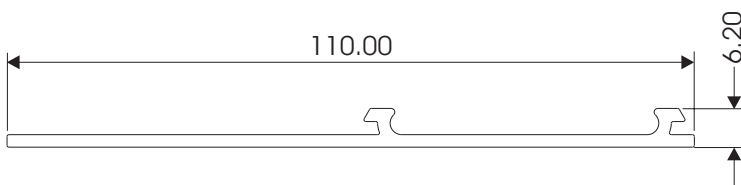
HEAVY DUTY HANDLE
W54022



SASH
W53908



HEAVY DUTY INTERLOCKER
W54118

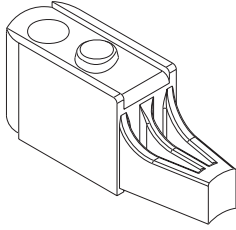


FIXING LUG
W26364

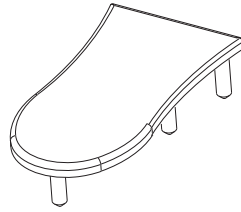
Disclaimer: The right to make alterations is reserved
© 2010 Wispeco (Pty) Ltd, All Rights Reserved



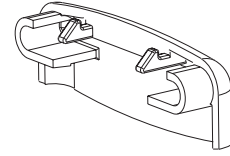
540 MULTI SLIDING WINDOW HARDWARE IDENTIFICATION



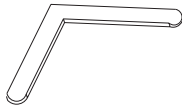
ANTI-LIFT & STOPPER DEVICE
ALS001P



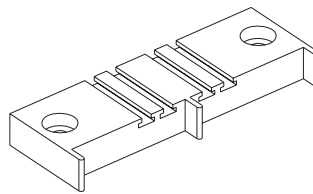
HEAVY DUTY HANDLE END COVER
HDC001P



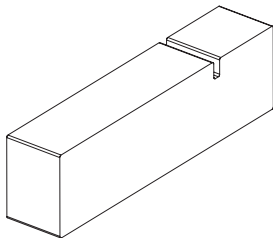
WEEPHOLE COVER
DEF040P



SASH FRAME MITRE GUIDE
FMG001P



DRAFT EXCLUDER TOP AND BOTTOM
DEX025P



SILL BAFFLE INSERT
SFS001F



STPPS845

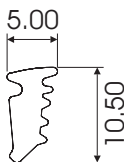


STPPS815

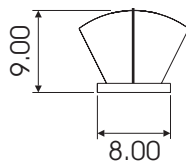


STCPS820

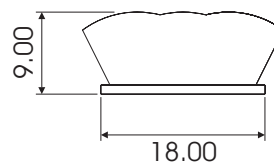
STAINLESS STEEL SCREWS



GLAZING GASKET
VR314FG

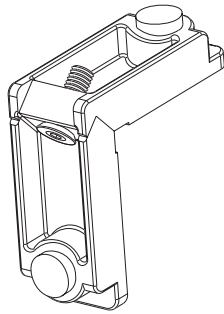


FINPILE
<FP48500FG>

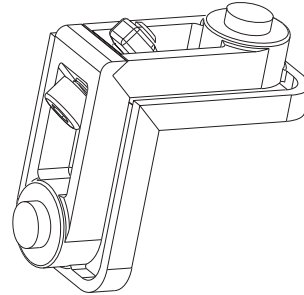


INTERLOCKER WOOLPILE
WP1360M

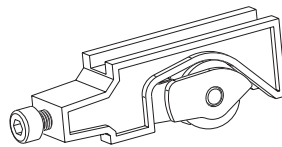
540 MULTI SLIDING WINDOW HARDWARE IDENTIFICATION (CONT)



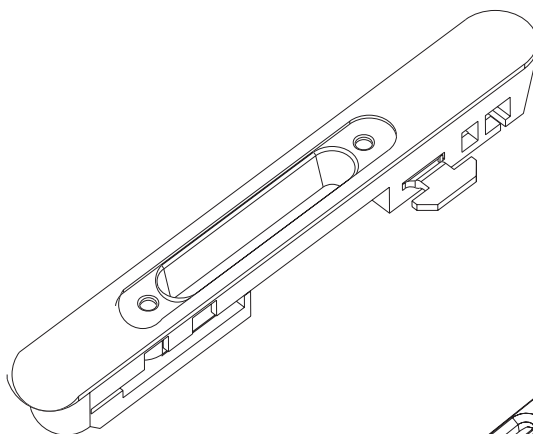
SASH FRAME CORNER CLEAT
JCC1910



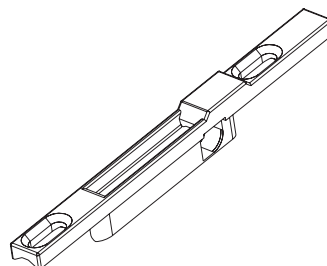
OUTER FRAME CORNER CLEAT
JCC3613



ADJUSTABLE WHEEL UNIT
ARS001M

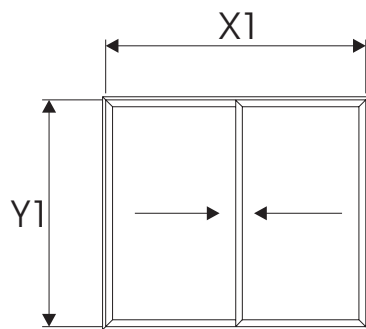


PATIO DOOR INTERNAL
FLUSH PULL LOCK HANDLE
SDL207FB



STRIKER PLATE

540 MULTI SLIDING WINDOW SIZE LIMITATION GUIDE



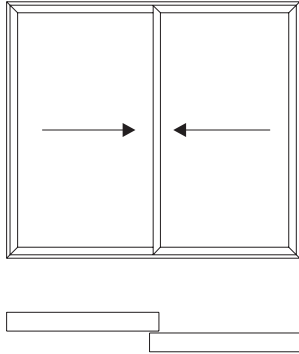
MAXIMUM SASH WIDTH: $X1 / \text{NUMBER OF SECTIONS} = 1200\text{mm}$

MAXIMUM SASH HEIGHT: $Y1 = 1500\text{mm}$

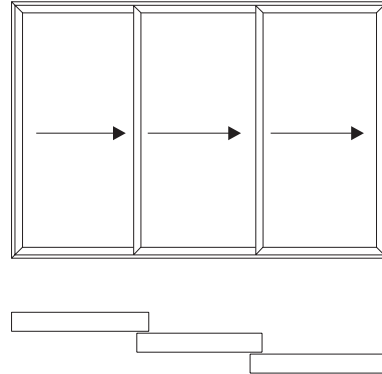
540 MULTI SLIDING WINDOW TYPICAL CONFIGURATIONS



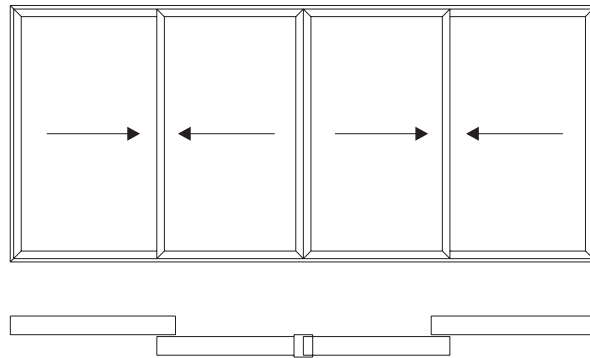
2 PANE



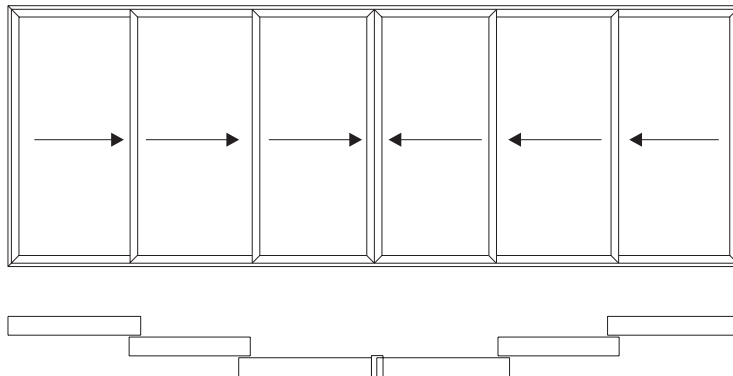
3 PANE



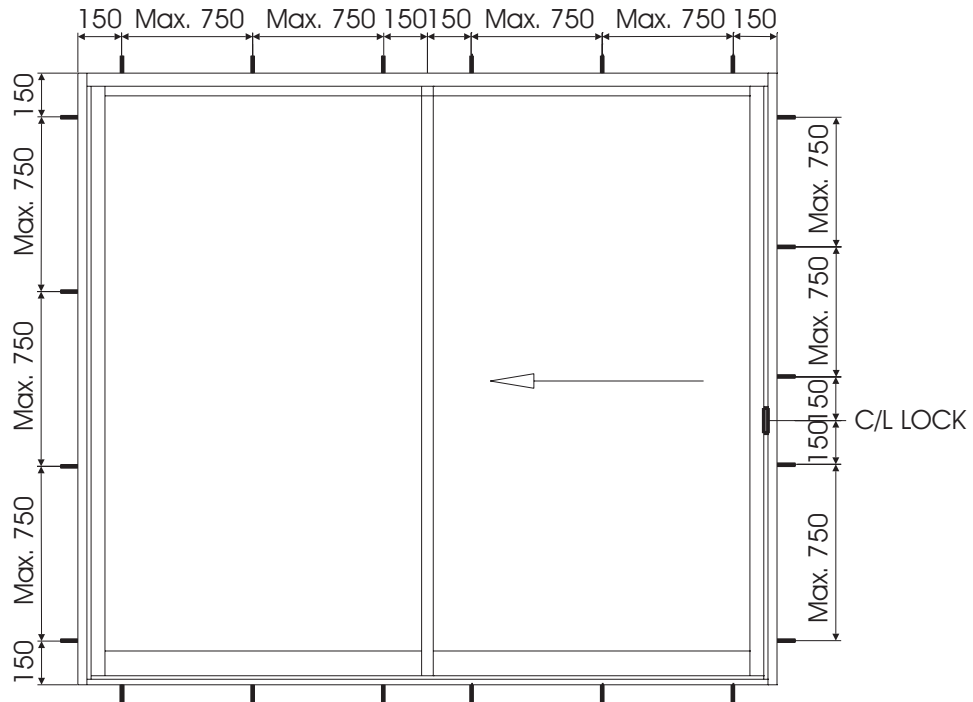
4 PANE



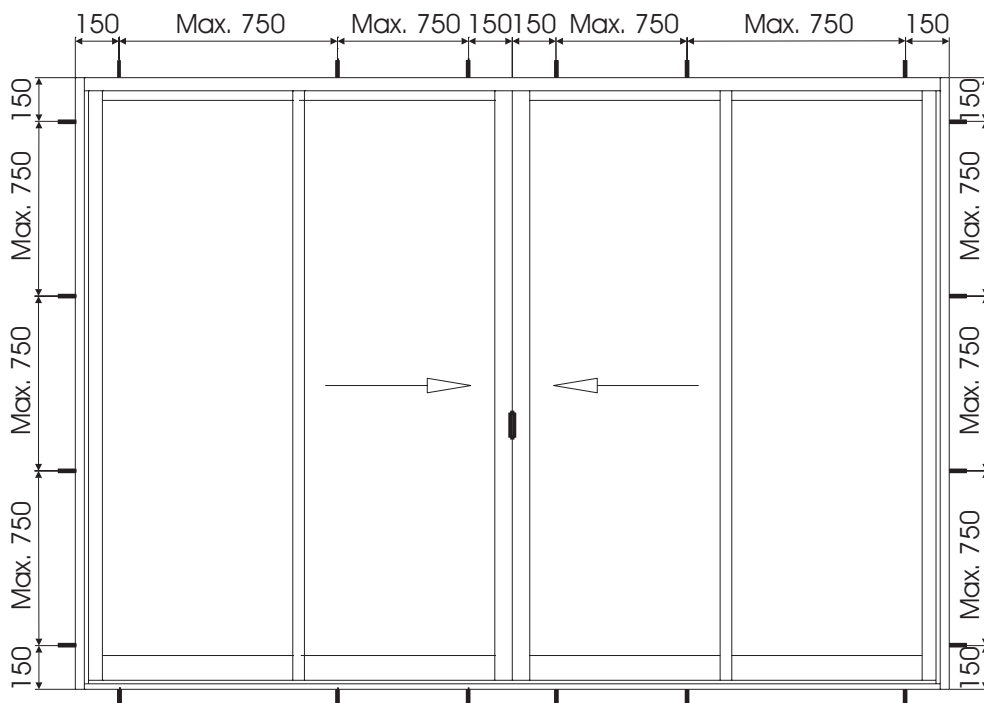
6 PANE



540 MULTI SLIDING WINDOW FIXING DETAILS



TYPICAL OX SLIDING DOOR &
HORIZONTAL SLIDING WINDOW

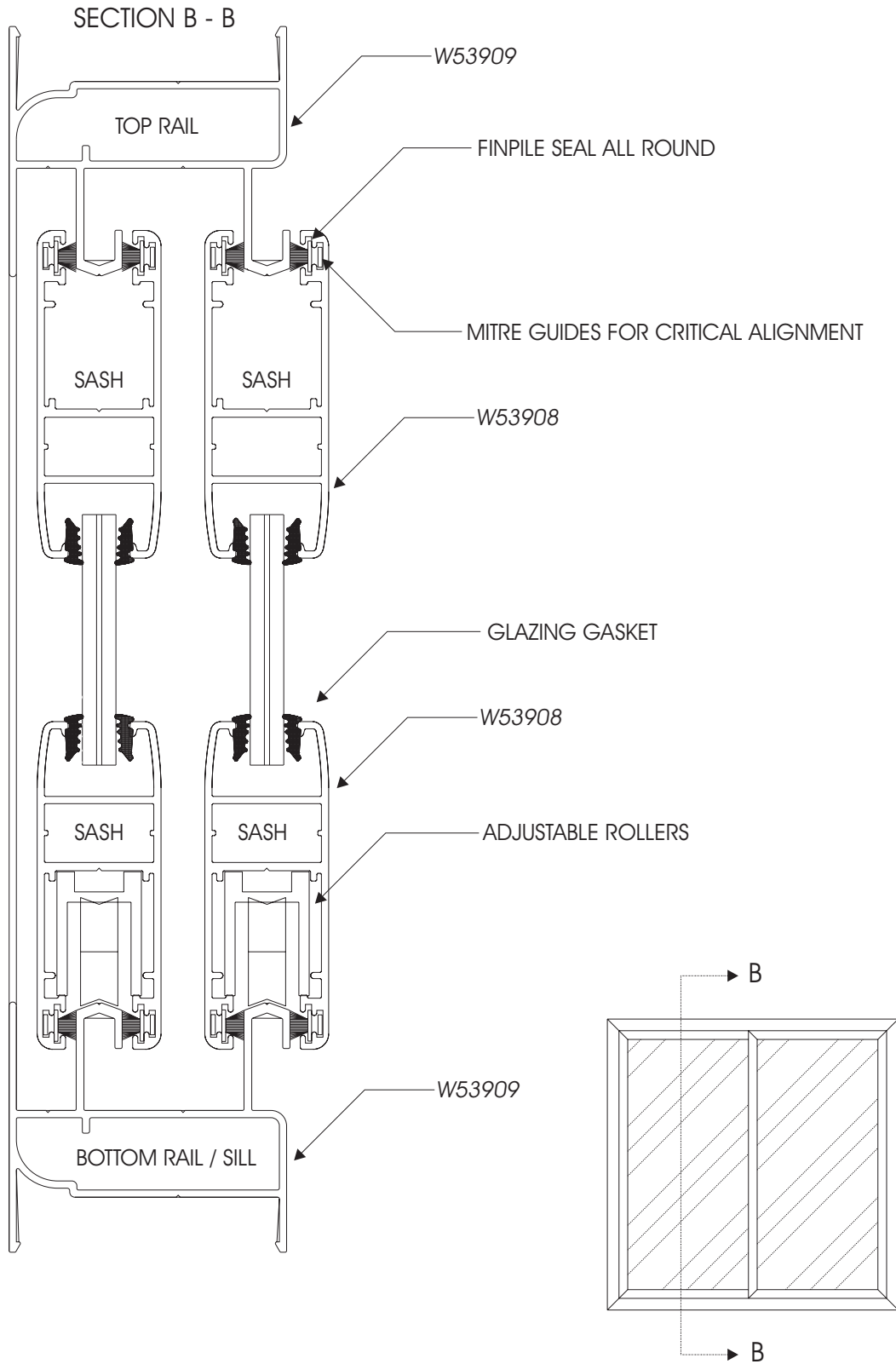


TYPICAL OXXO SLIDING DOOR &
HORIZONTAL SLIDING WINDOW

Disclaimer: The right to make alterations is reserved
© 2010 Wispeco (Pty) Ltd, All Rights Reserved

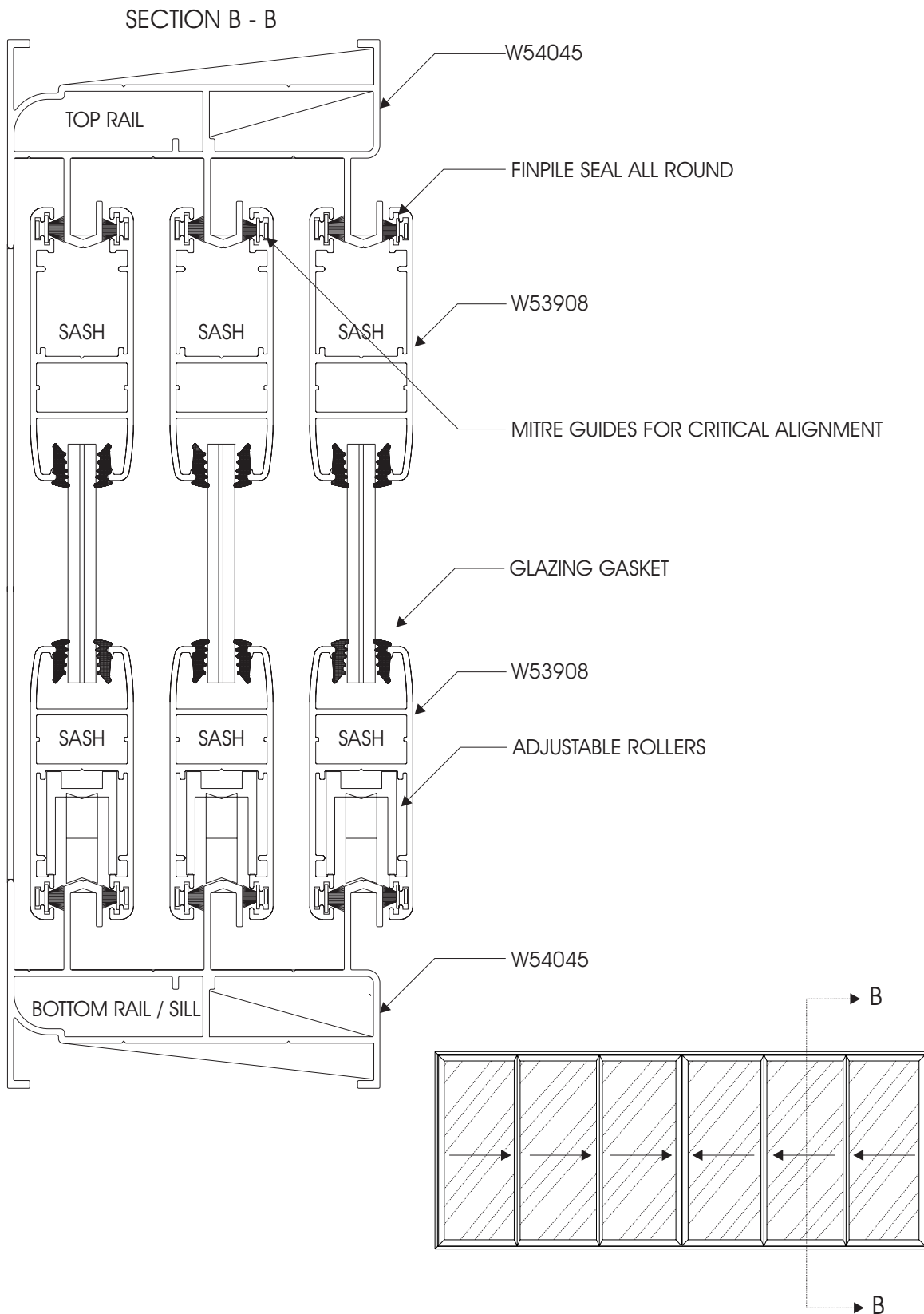


540 MULTI SLIDING WINDOW DOUBLE TRACK VERTICAL SECTION DETAIL



Disclaimer: The right to make alterations is reserved
© 2010 Wispeco (Pty) Ltd, All Rights Reserved

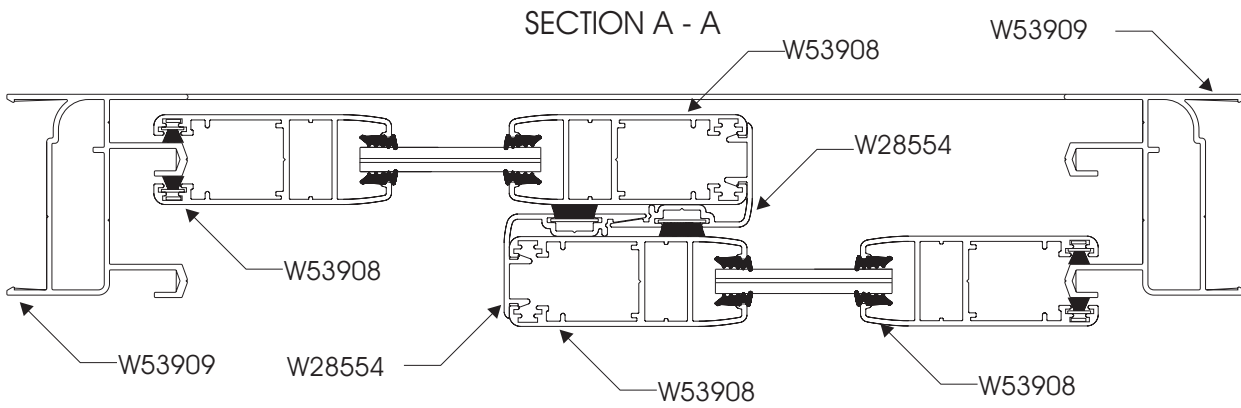
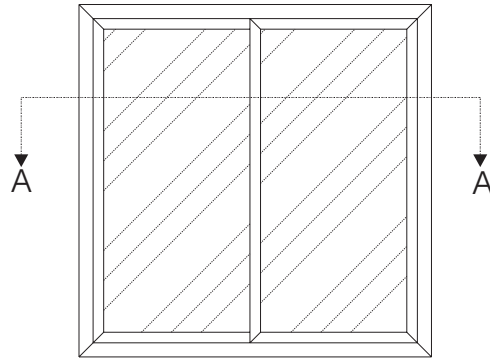
540 MULTI SLIDING WINDOW TRIPLE TRACK VERTICAL SECTION DETAIL



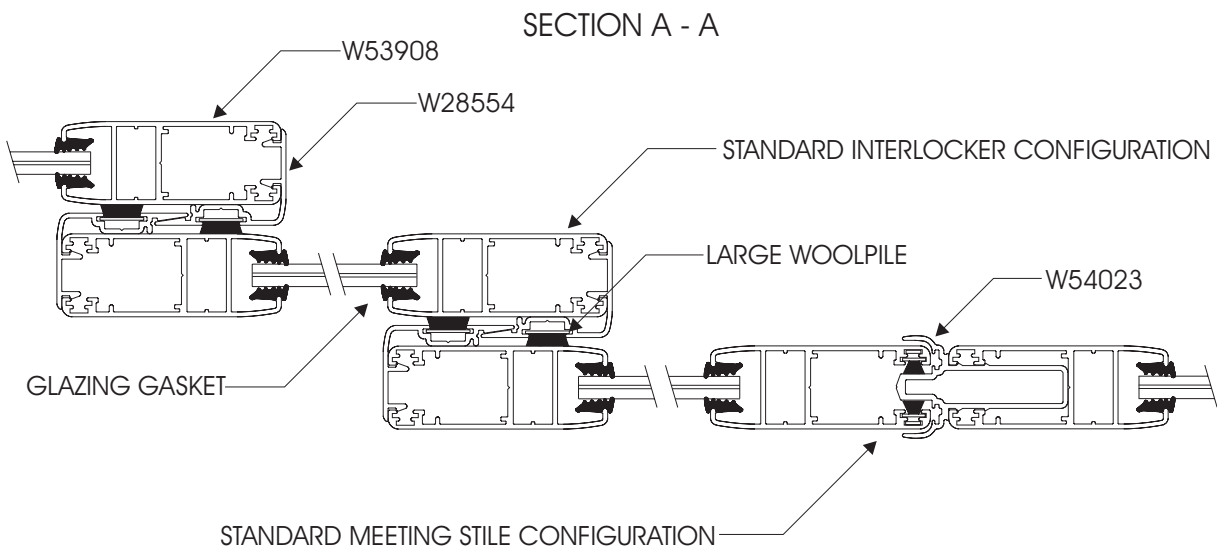
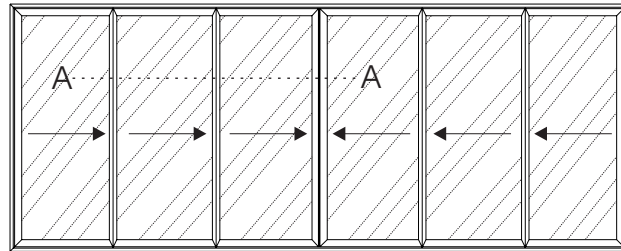
Disclaimer: The right to make alterations is reserved
© 2010 Wispeco (Pty) Ltd, All Rights Reserved



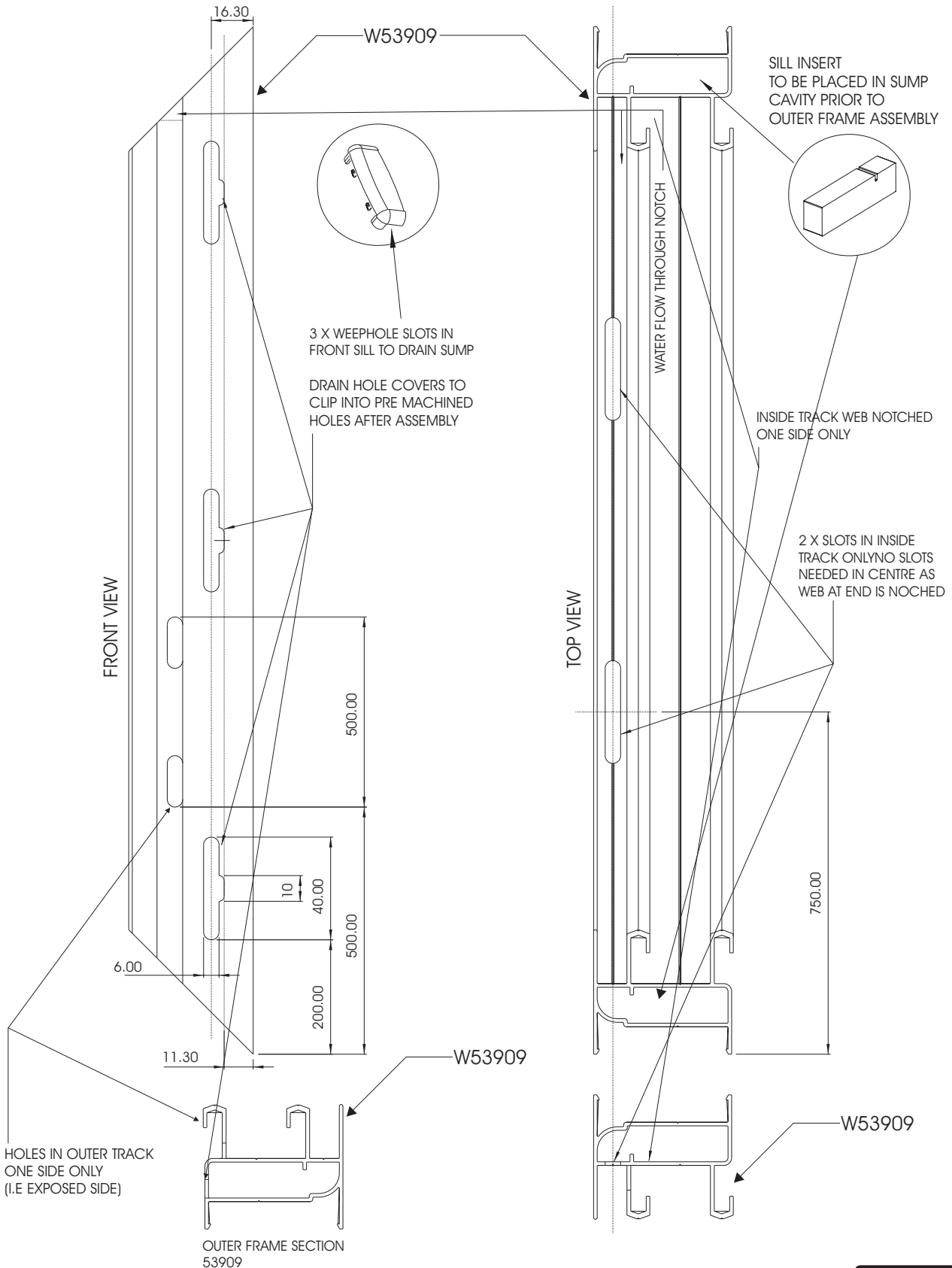
540 MULTI SLIDING WINDOW DOUBLE TRACK HORIZONTAL SECTION DETAIL



540 MULTI SLIDING WINDOW TRIPLE TRACK HORIZONTAL SECTION DETAIL

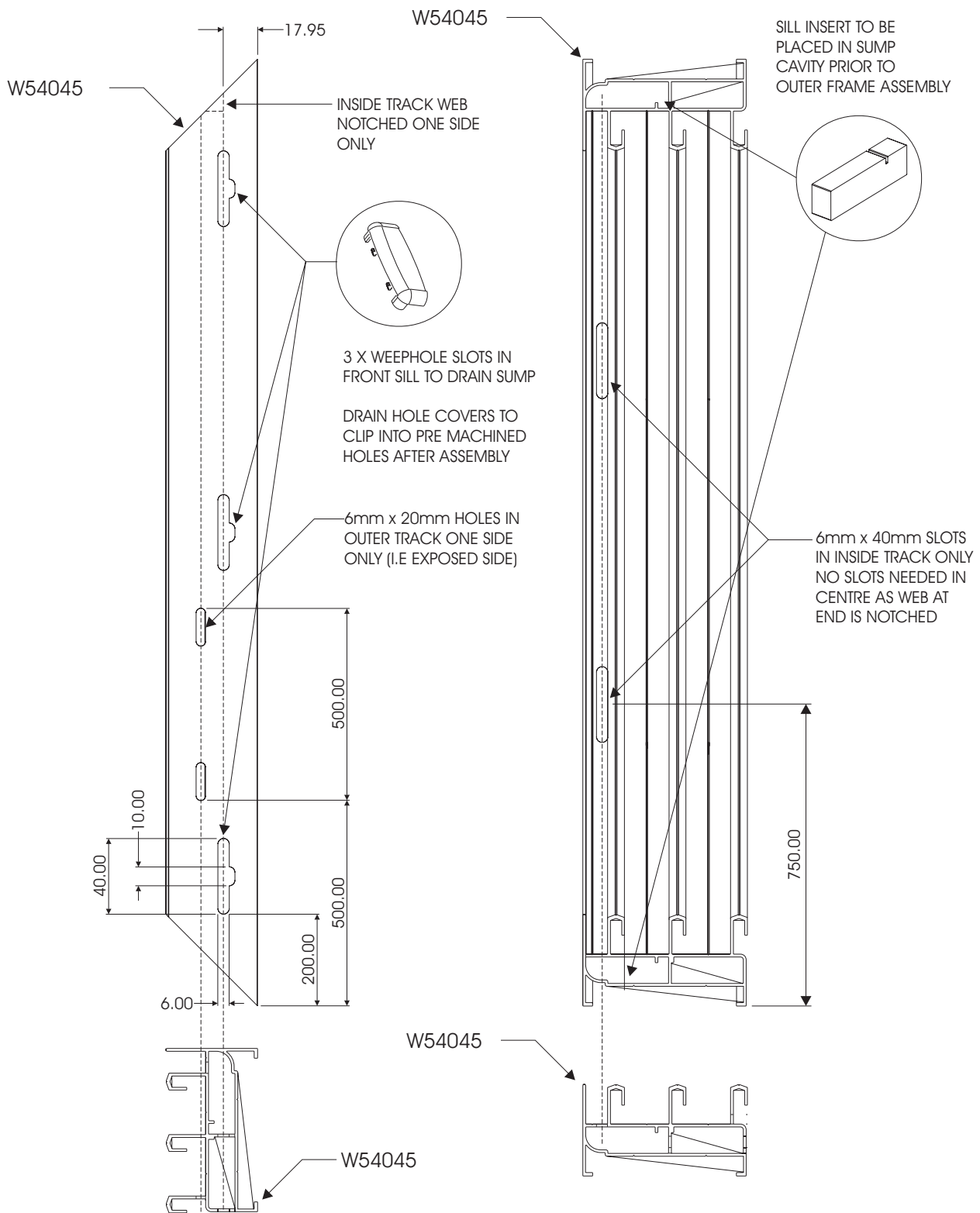


540 MULTI SLIDING WINDOW DOUBLE TRACK SILL DRAINAGE MACHINING DETAIL



Disclaimer: The right to make alterations is reserved
© 2010 Wispeco (Pty) Ltd, All Rights Reserved

540 MULTI SLIDING WINDOW TRIPLE TRACK SILL DRAINAGE MACHINING DETAIL

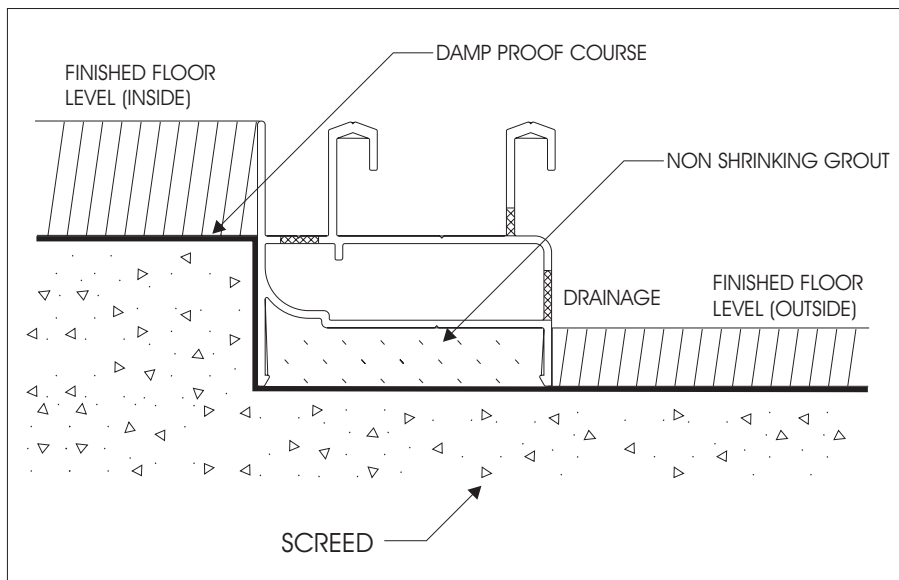
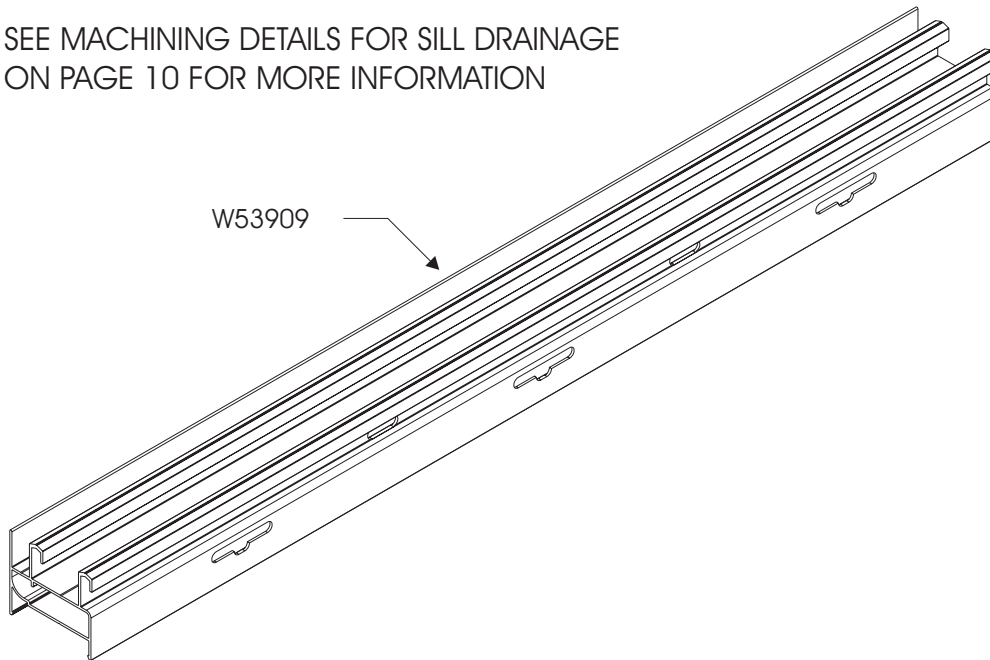


Disclaimer: The right to make alterations is reserved
© 2010 Wispeco (Pty) Ltd, All Rights Reserved

540 MULTI SLIDING WINDOW DOUBLE TRACK SILL DRAINAGE FLOOR LEVEL DETAIL



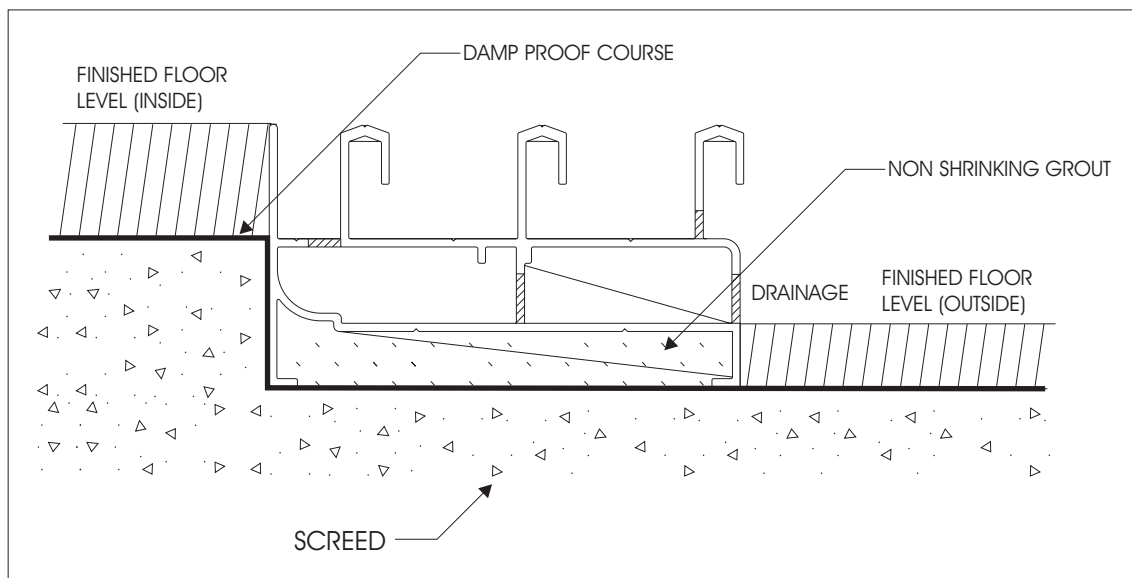
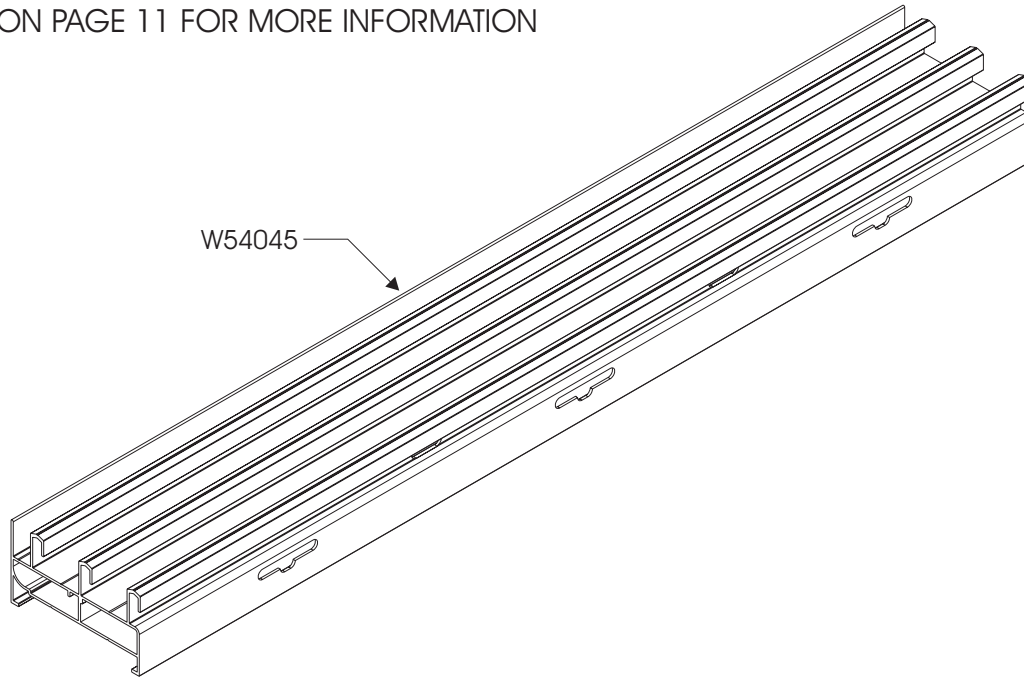
SEE MACHINING DETAILS FOR SILL DRAINAGE
ON PAGE 10 FOR MORE INFORMATION



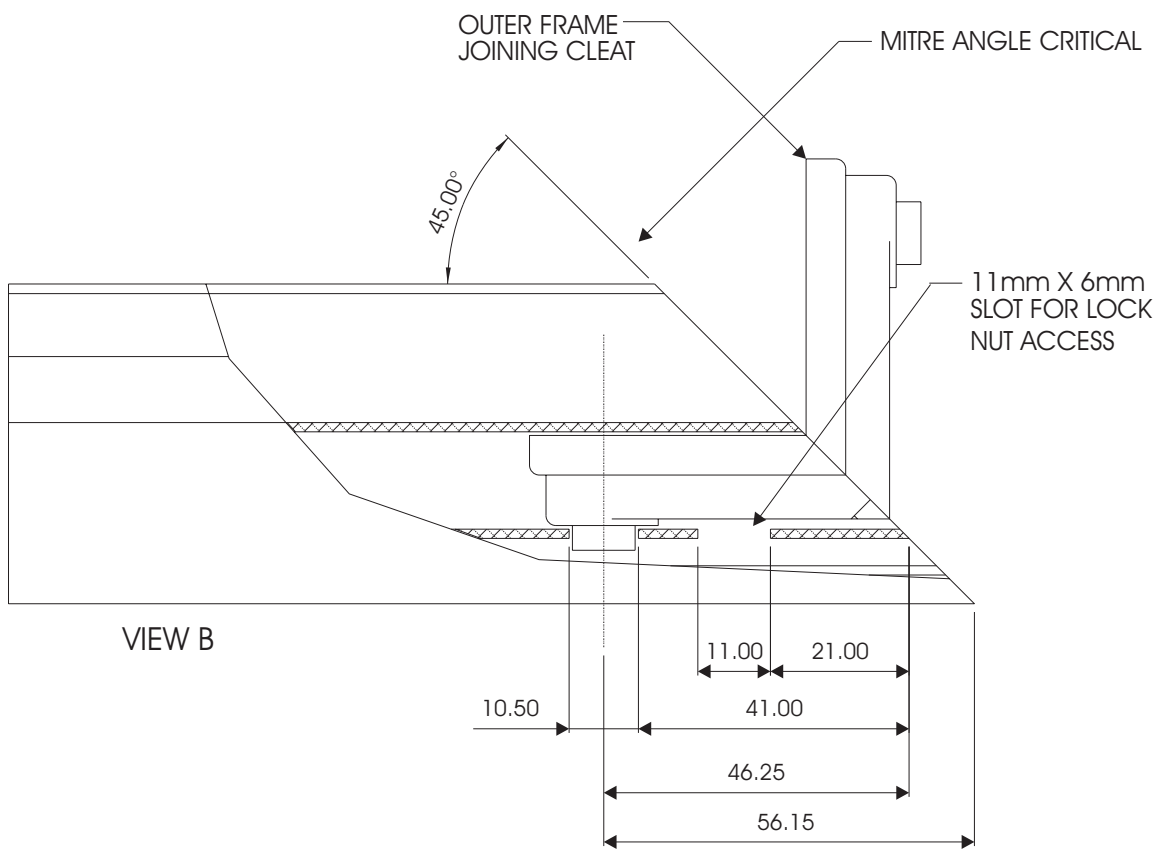
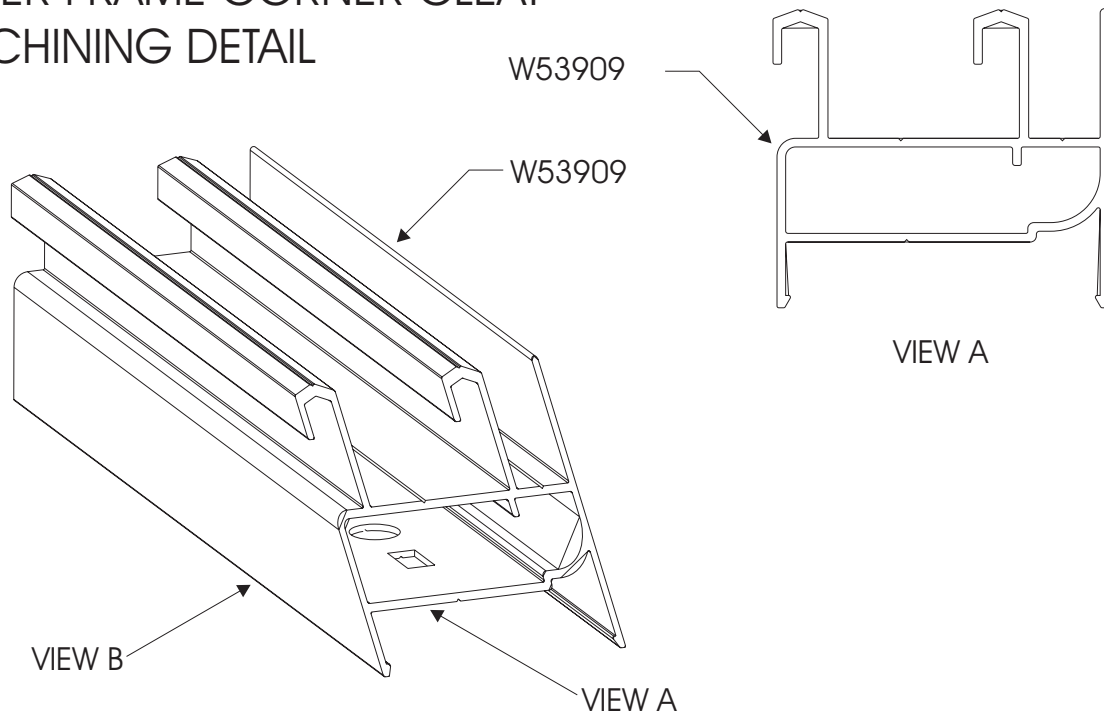
540 MULTI SLIDING WINDOW TRIPLE TRACK SILL DRAINAGE FLOOR LEVEL DETAIL



SEE MACHINING DETAILS FOR SILL DRAINAGE
ON PAGE 11 FOR MORE INFORMATION



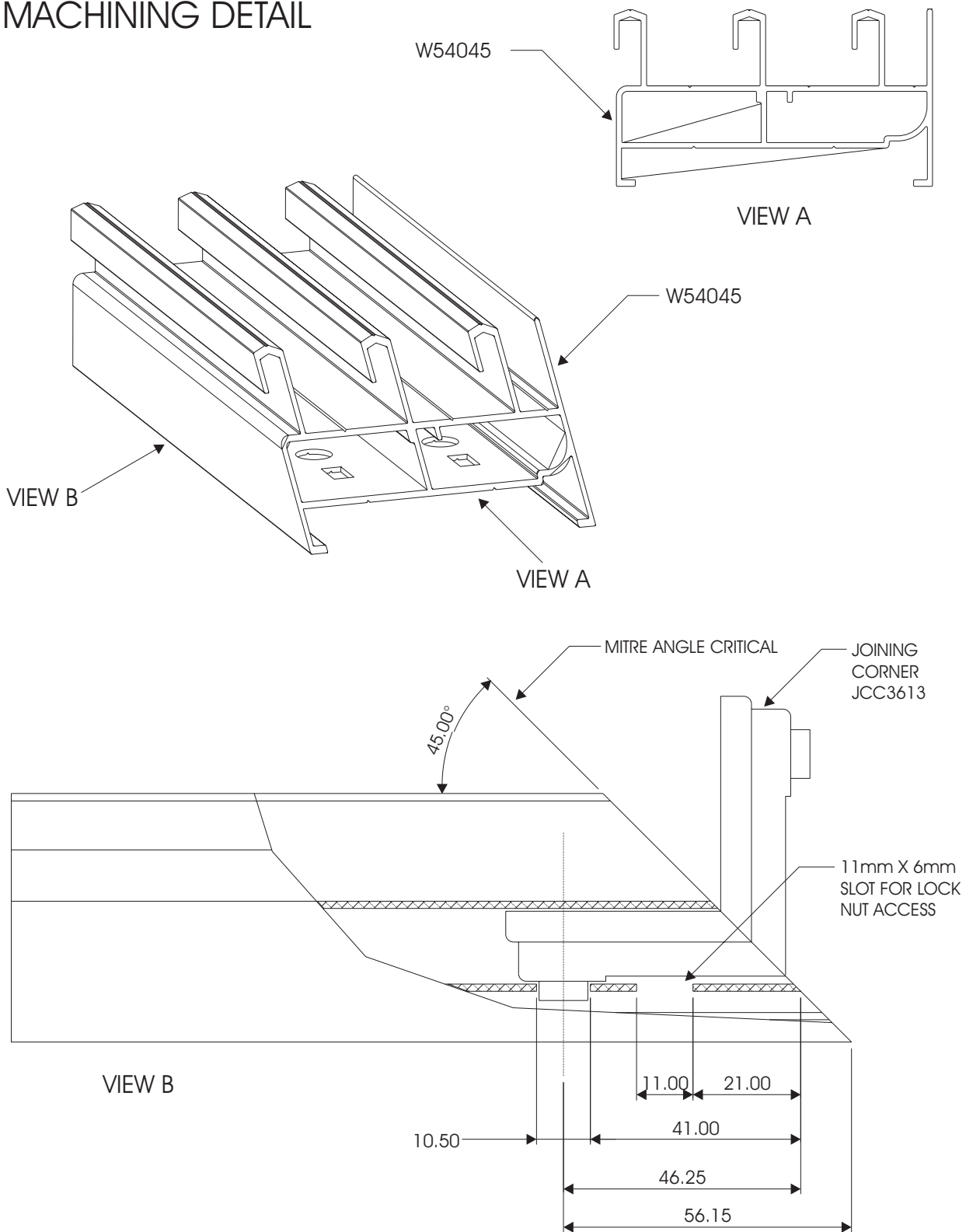
540 MULTI SLIDING WINDOW
 DOUBLE TRACK
 OUTER FRAME CORNER CLEAT
 MACHINING DETAIL



Disclaimer: The right to make alterations is reserved
 © 2010 Wispeco (Pty) Ltd, All Rights Reserved



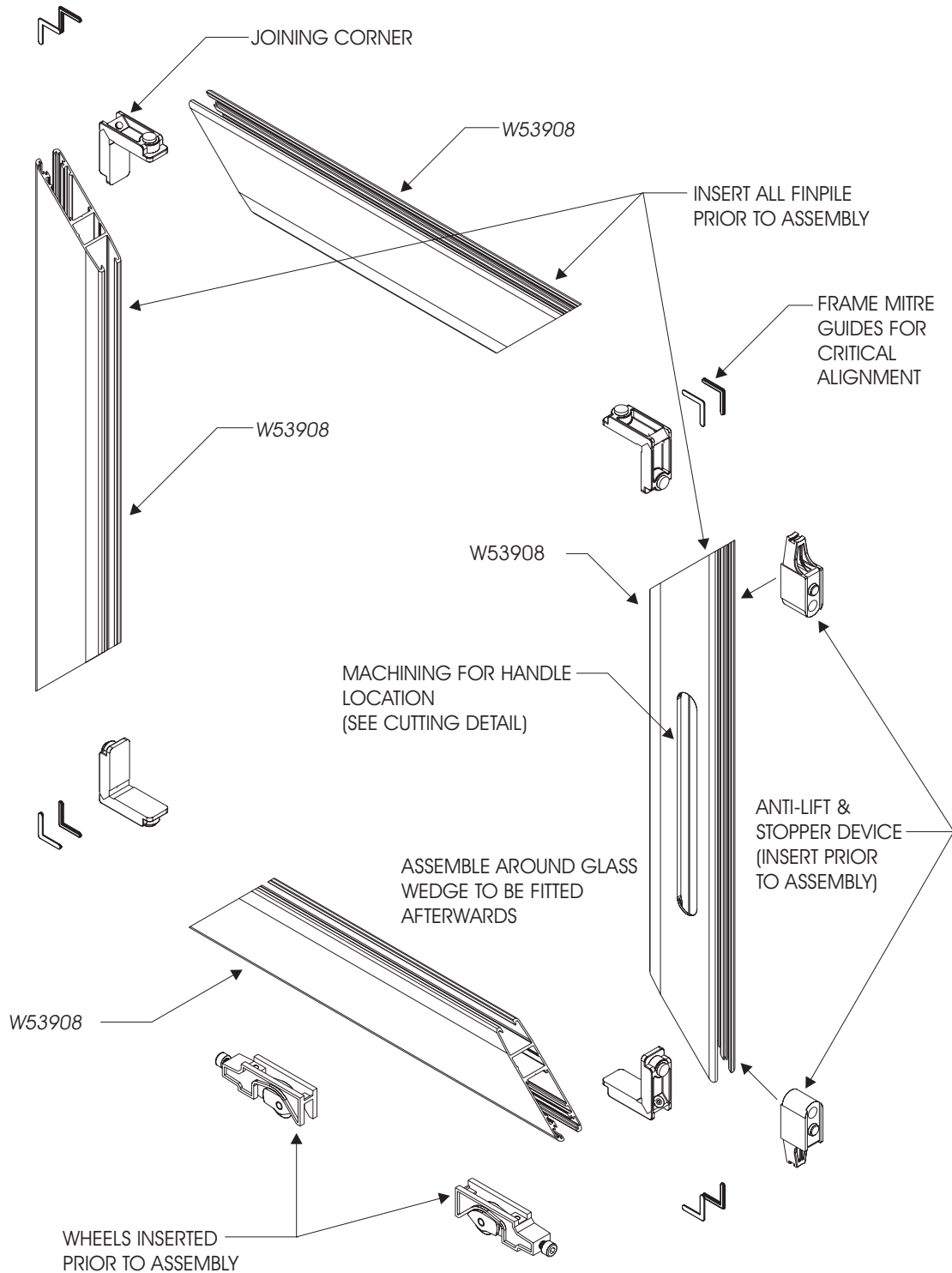
540 MULTI SLIDING WINDOW
 TRIPLE TRACK
 OUTER FRAME CORNER CLEAT
 MACHINING DETAIL



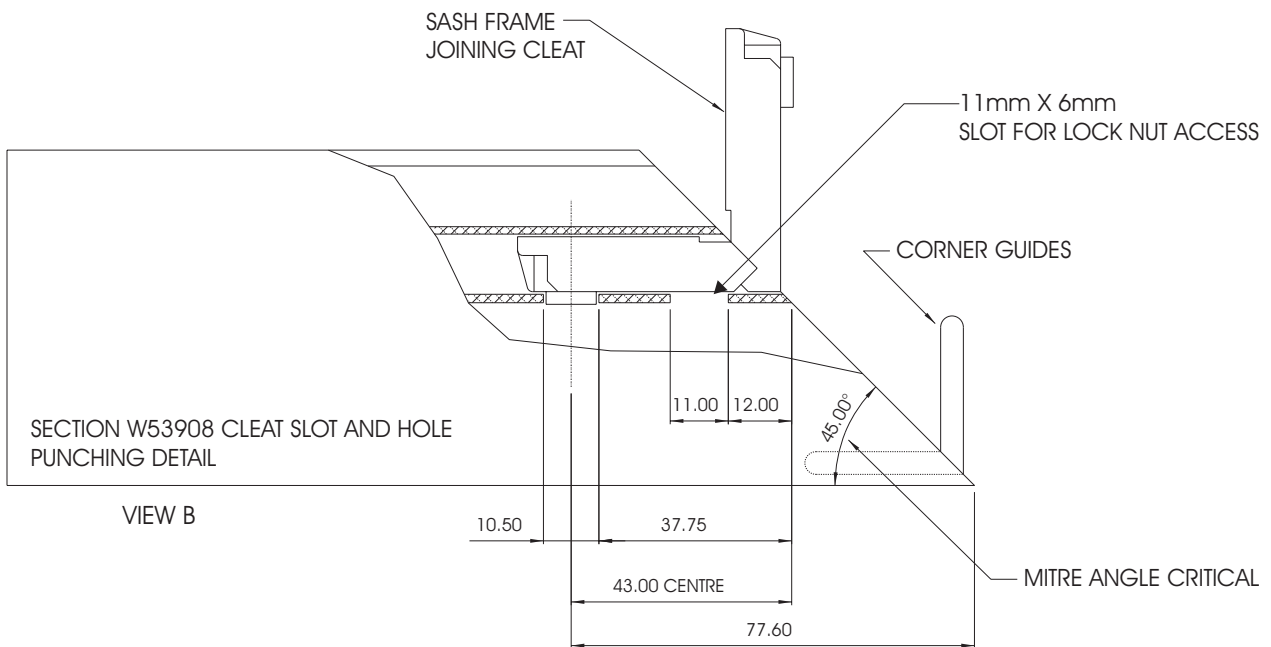
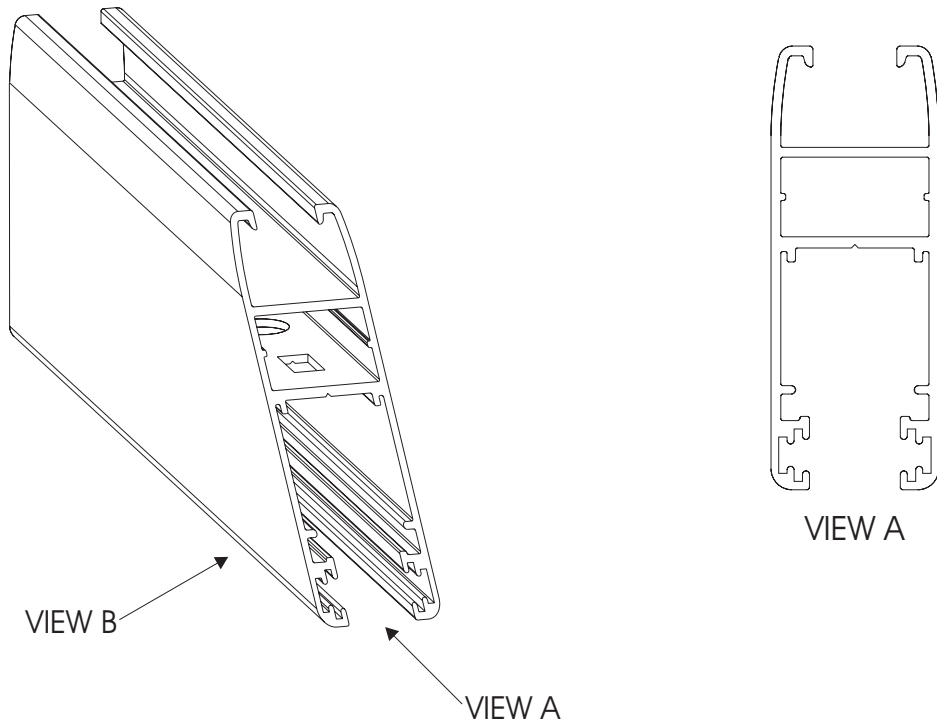
Disclaimer: The right to make alterations is reserved
 © 2010 Wispeco (Pty) Ltd, All Rights Reserved



540 MULTI SLIDING WINDOW SASH FRAME COMPONENT ASSEMBLY DETAIL



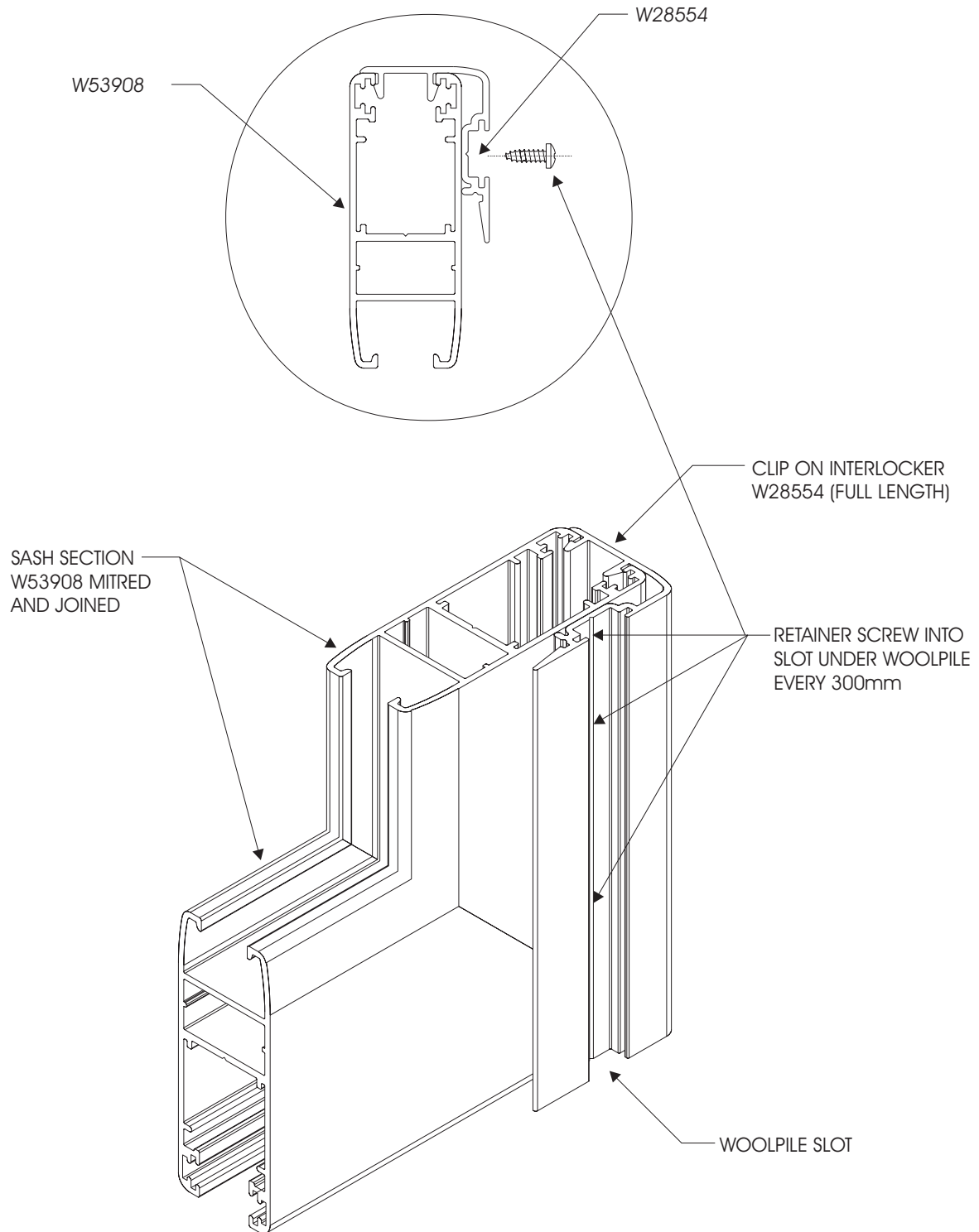
540 MULTI SLIDING WINDOW PUNCHING DETAILS FOR SASH FRAME W53908



Disclaimer: The right to make alterations is reserved
© 2010 Wispeco (Pty) Ltd, All Rights Reserved



540 MULTI SLIDING WINDOW CLIP ON INTERLOCKER DETAIL

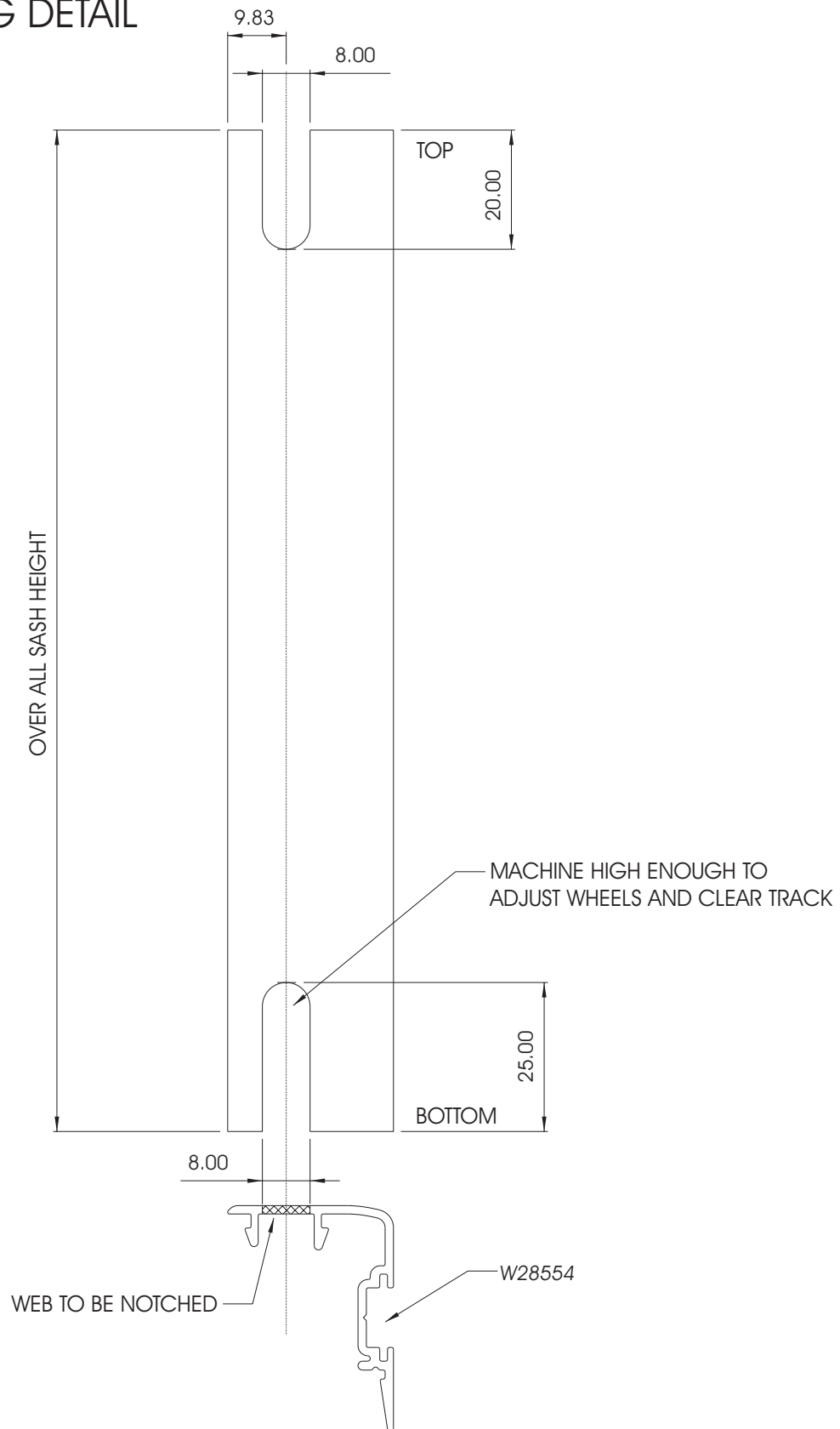


SASH FRAME TO CLIP ON INTERLOCKER ASSEMBLY DETAIL

Disclaimer: The right to make alterations is reserved
© 2010 Wispeco (Pty) Ltd, All Rights Reserved



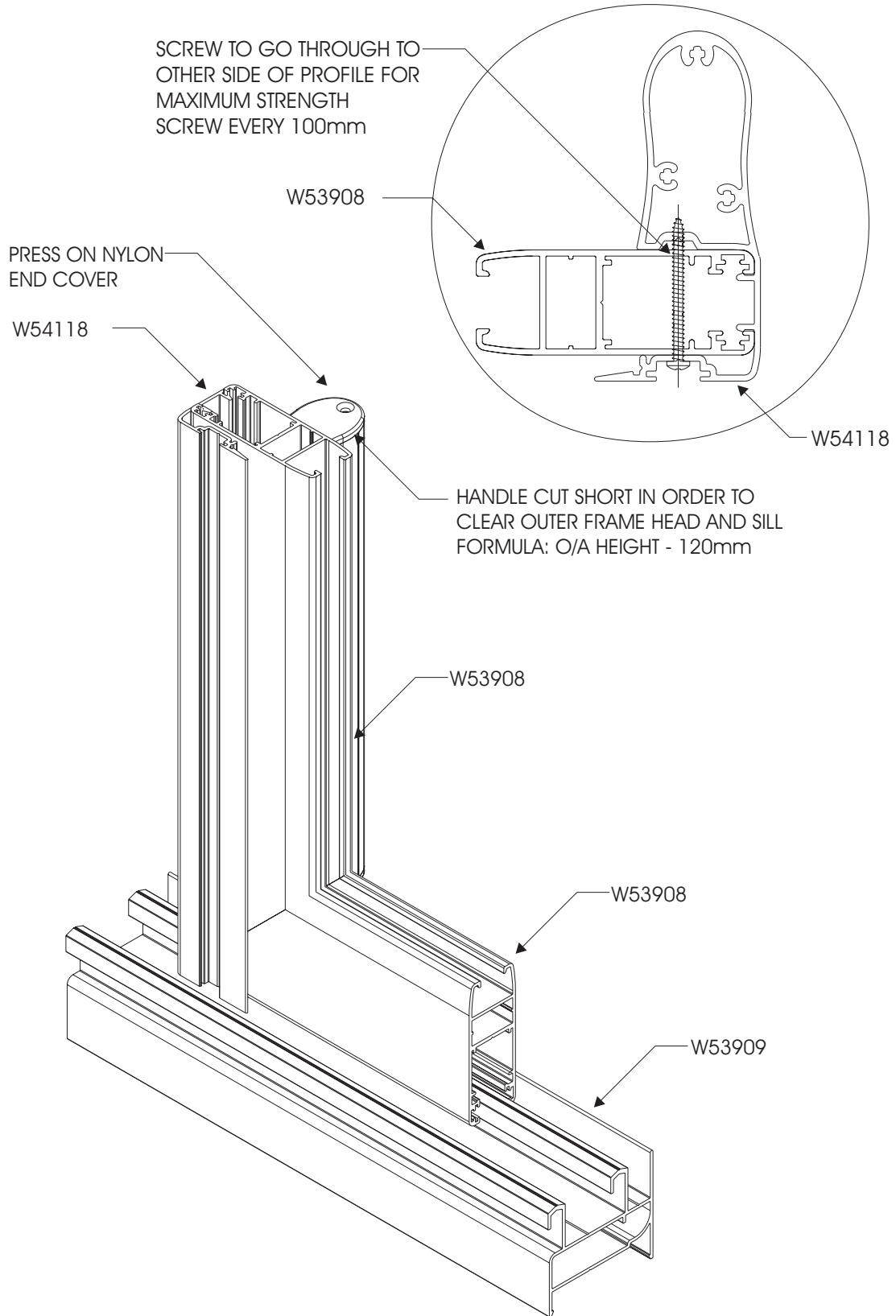
540 MULTI SLIDING WINDOW CLIP ON INTERLOCKER MACHINING DETAIL



Disclaimer: The right to make alterations is reserved
© 2010 Wispeco (Pty) Ltd, All Rights Reserved

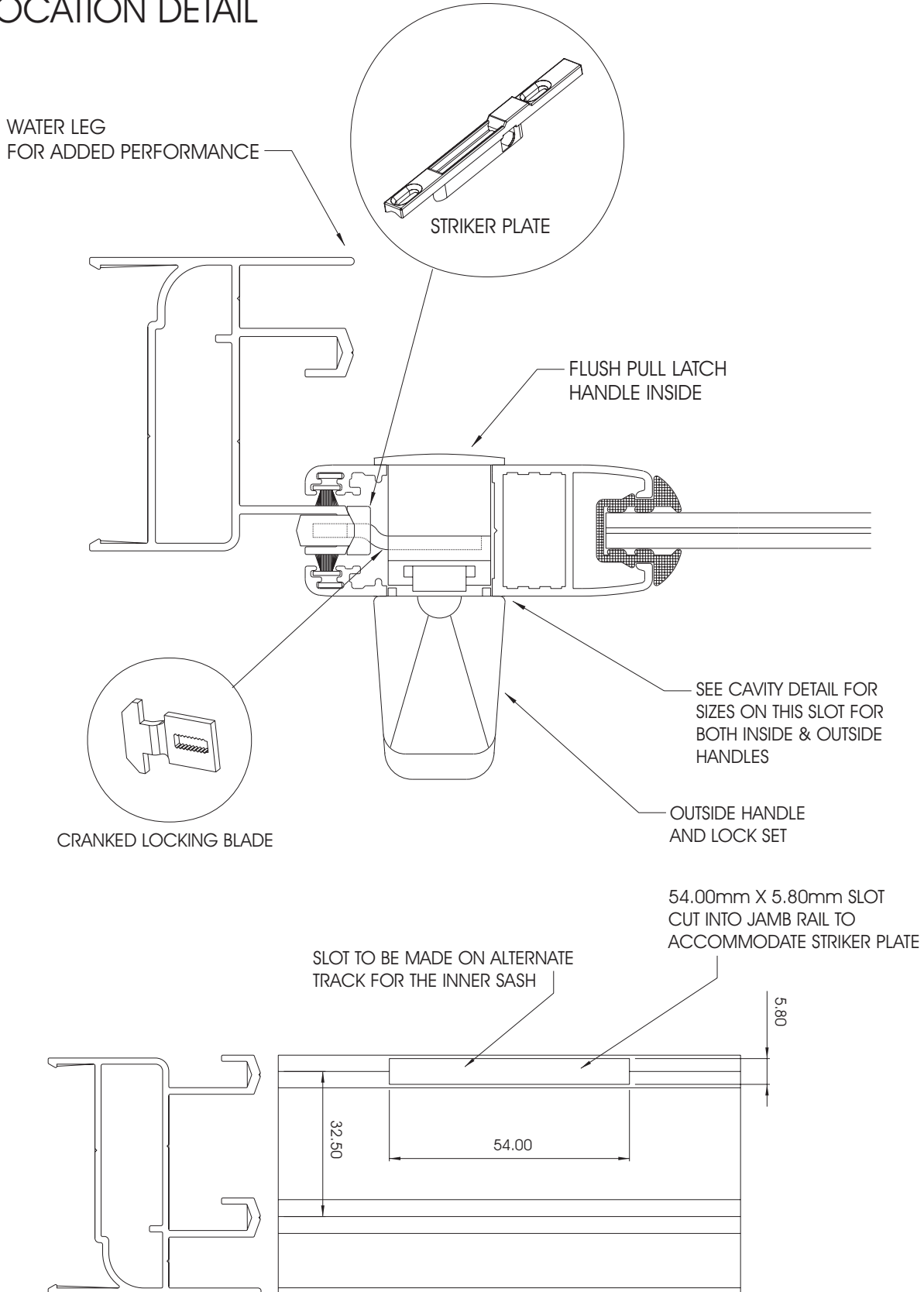


540 MULTI SLIDING WINDOW HEAVY DUTY INTERLOCKER ASSEMBLY DETAIL



Disclaimer: The right to make alterations is reserved
© 2010 Wispeco (Pty) Ltd, All Rights Reserved

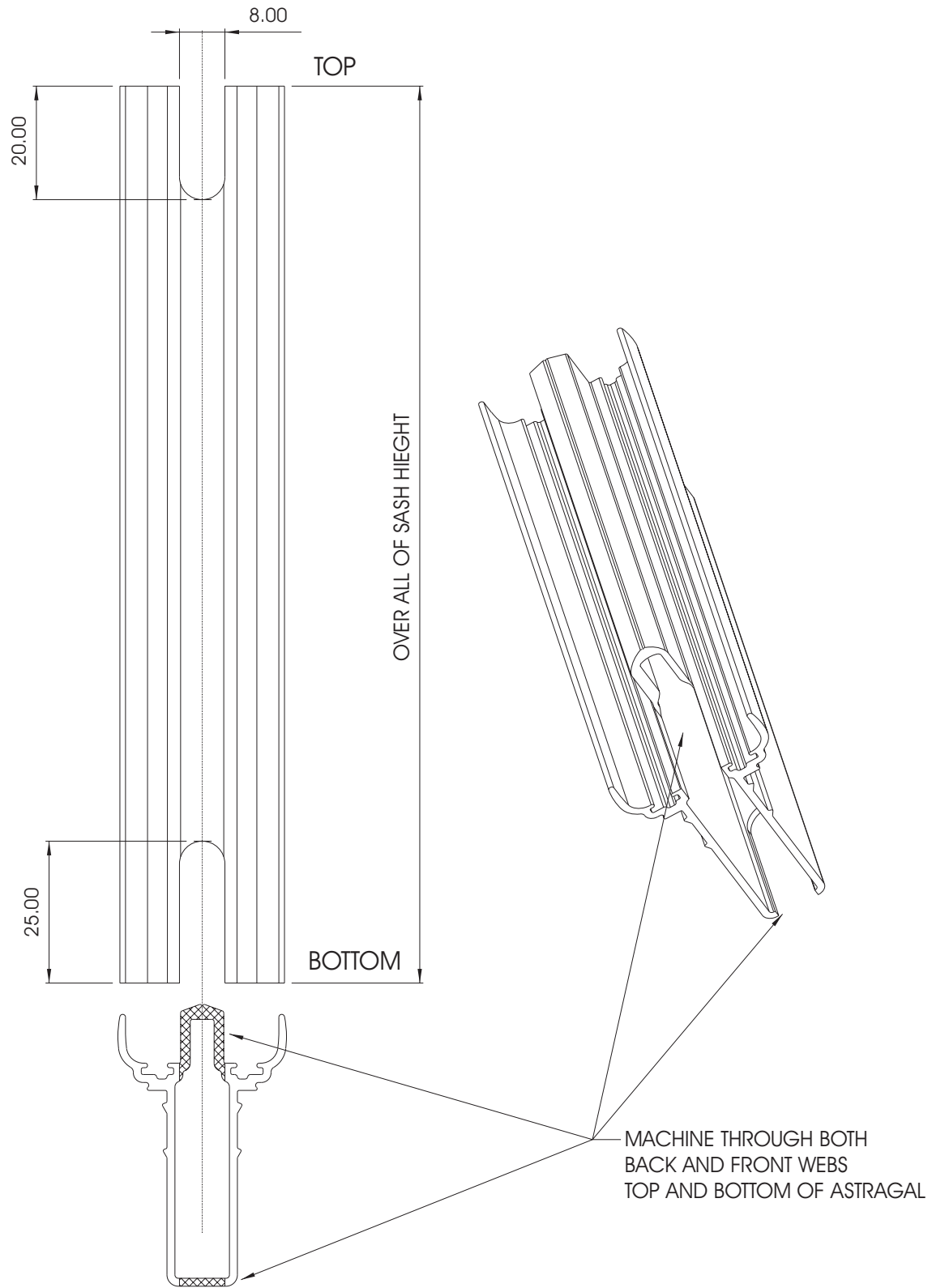
540 MULTI SLIDING WINDOW HANDLE / LOCKSET & STRIKER PLATE LOCATION DETAIL



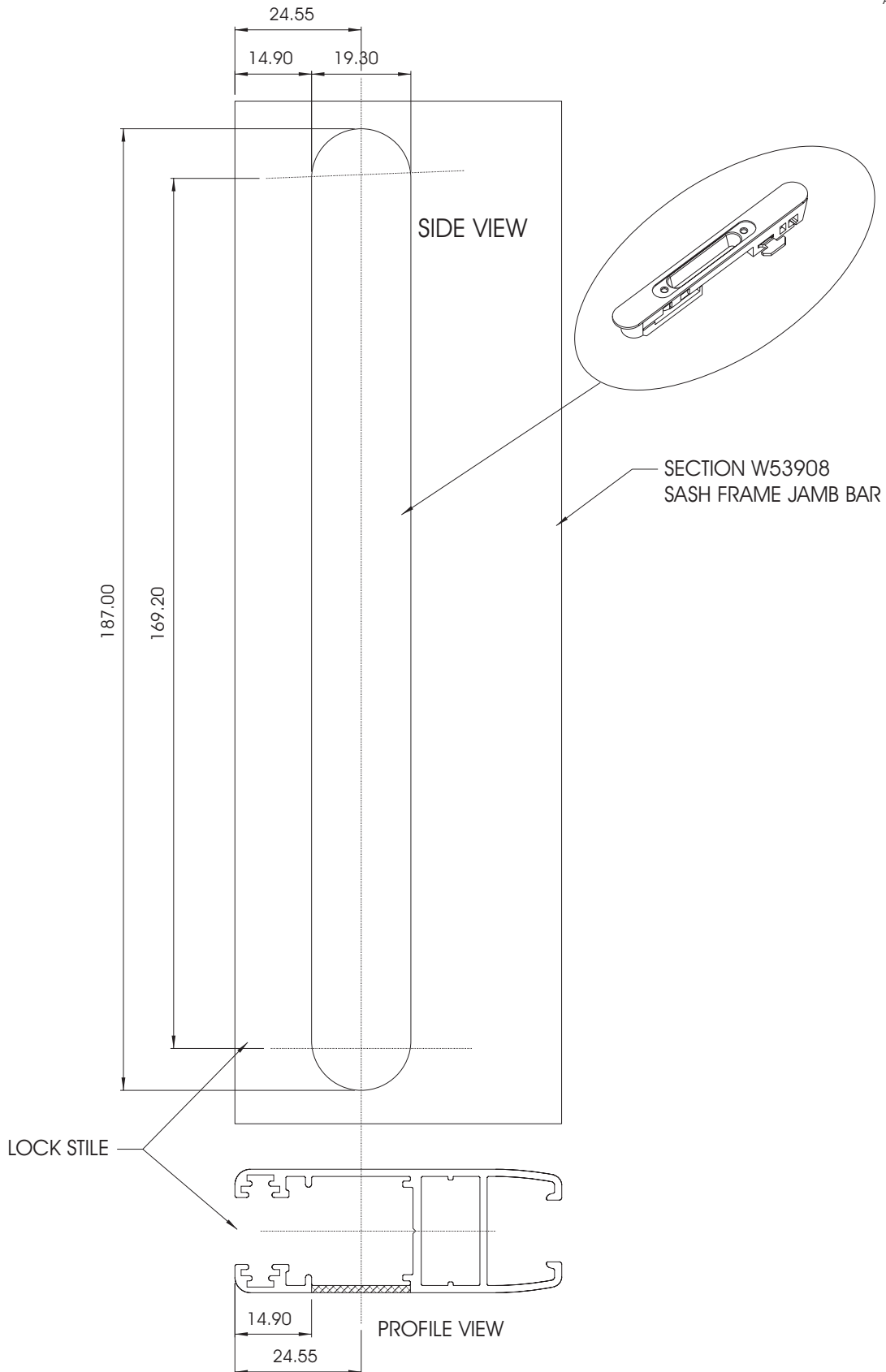
Disclaimer: The right to make alterations is reserved
© 2010 Wispeco (Pty) Ltd, All Rights Reserved



540 MULTI SLIDING WINDOW CLIP IN ASTRAGAL RAIL SLOT MACHINING DETAIL

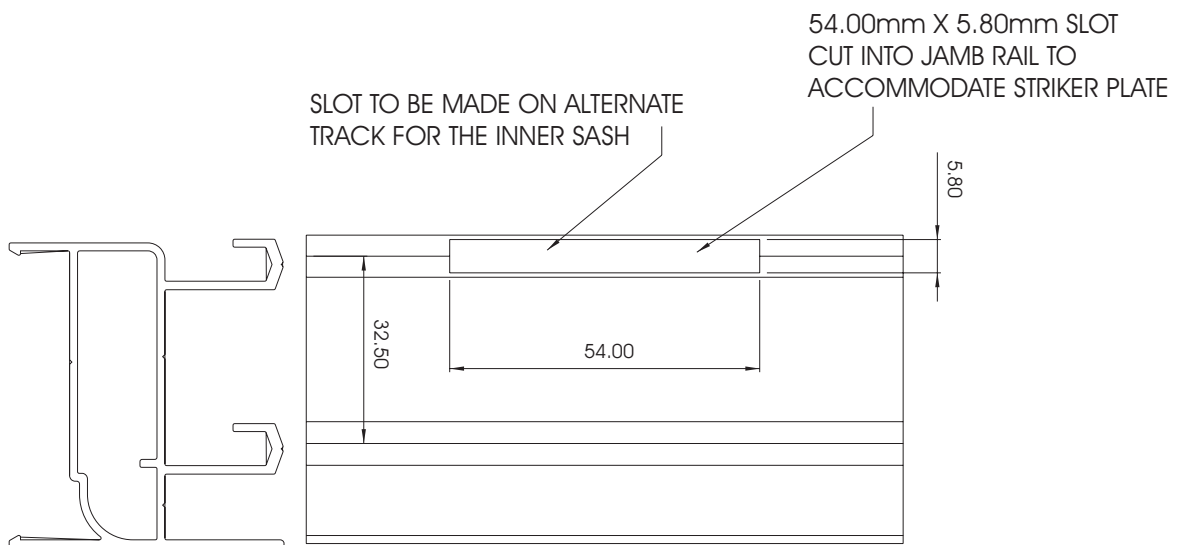
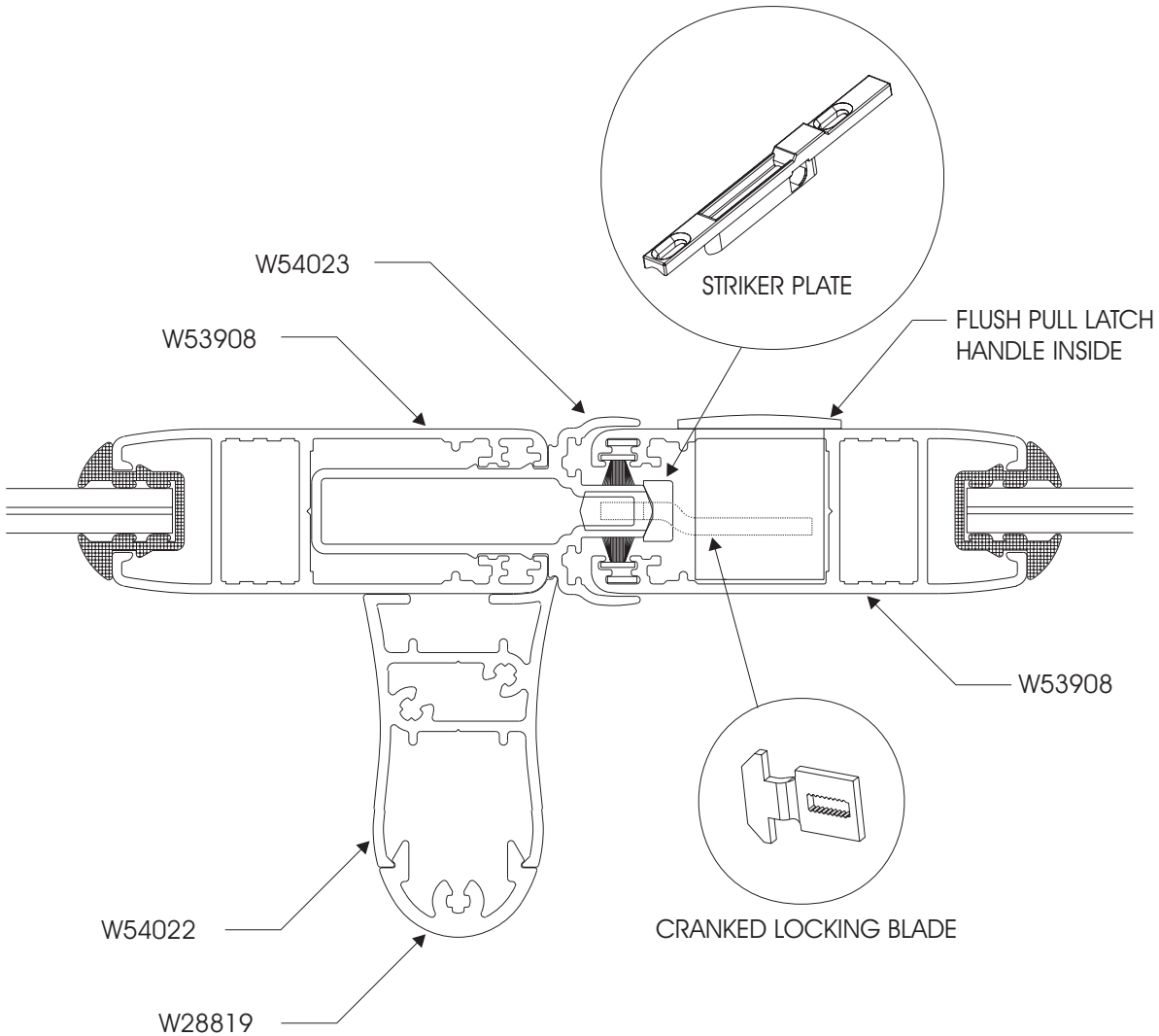


540 MULTI SLIDING WINDOW HANDLE MACHINING DETAIL



Disclaimer: The right to make alterations is reserved
© 2010 Wispeco (Pty) Ltd, All Rights Reserved

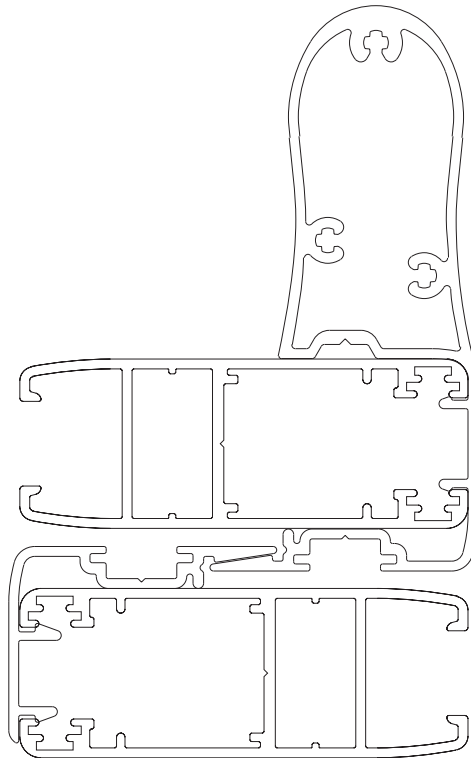
540 MULTI SLIDING WINDOW HANDLE/LOCKSET LOCATION DETAIL ON HEAVY DUTY MEETING STILE



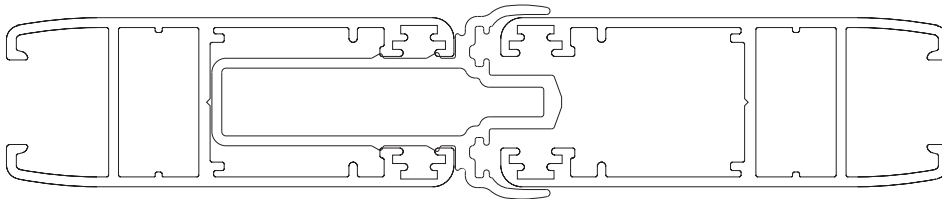
Disclaimer: The right to make alterations is reserved
© 2010 Wispeco (Pty) Ltd, All Rights Reserved



540 MULTI SLIDING WINDOW
WINDOW SECTION PROPERTIES
INTERLOCKER WITH SINGLE HEAVY DUTY HANDLE CONFIGURATION



540 MULTI SLIDING WINDOW
- WINDOW SECTION PROPERTIES
STANDARD MEETING STILE CONFIGURATION



540 MULTI SLIDING WINDOW
- WINDOW SECTION PROPERTIES
XXXX MEETING CONFIGURATION WITH SINGLE HEAVY DUTY HANDLE

