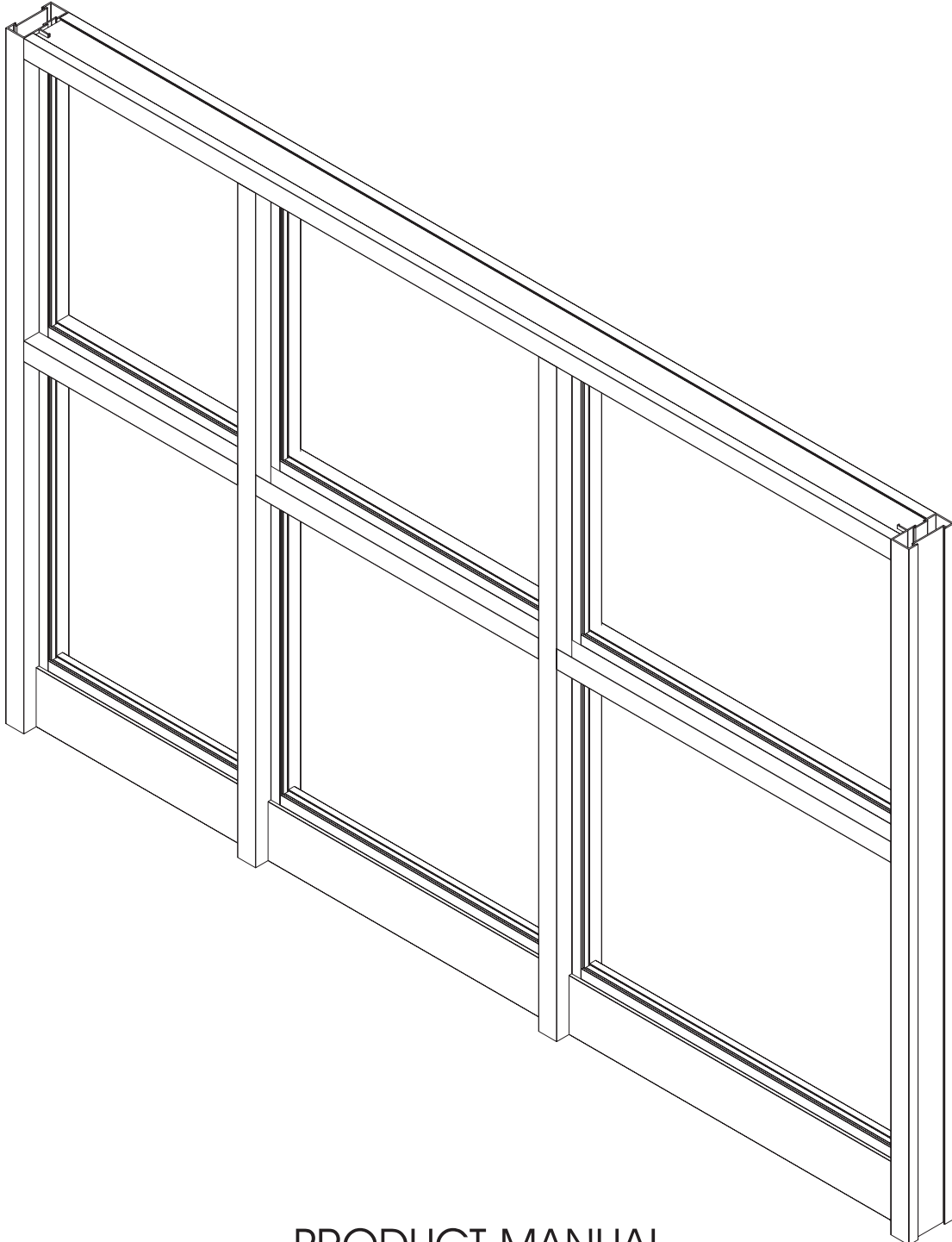




SHEERFRONT CLIP 15 SYSTEM FRAMES



PRODUCT MANUAL

Disclaimer: The right to make alterations is reserved
© 2010 Sheerline, All Rights Reserved

Revision: 01/10/2010



LEGAL DISCLAIMER

All information, recommendations or advice contained in this documentation is given in good faith to the best of Sheerline's knowledge and is based on current procedures in effect.

Since the actual use of this documentation by the user is beyond the control of Sheerline, such use is within the exclusive responsibility of the user. Sheerline cannot be held responsible for any loss incurred through incorrect or faulty use of this documentation.

Great care has been taken to ensure that the information provided is correct. Sheerline will accept no responsibility for any errors and/or omissions, which may have inadvertently occurred.

All mechanical joints must be sealed with a Sheerline approved joint sealer.

Laminated glass must not stand in water.

All drawings in the Sheerline Documentation are shown NOT to scale.

Sheerline cannot accept responsibility for the use of standard products since Sheerline does not know where these products are being installed.

The use of anti-magnetic stainless steel screws and pop rivets is recommended to reduce galvanic corrosion in harsh environments.

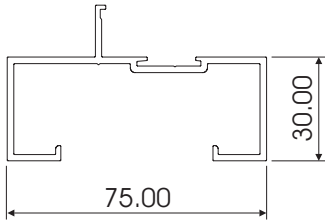
The hardware recommended in this documentation is suitable for use in most atmospheric environments. When hardware is used in severe coastal environments the manufacturer of the hardware must be consulted.

Fixing lugs on frames must be positioned as per the user manual and used in accordance to the AAAMSA specifications. When profiles are screwed together the screw centers must also be according to the user manual.

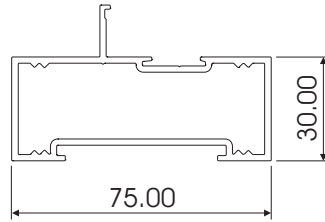
All glass used within Sheerline products must comply with SAGGA regulations.

By continuing to use this documentation you acknowledge that you understand and accept the legal disclaimer.

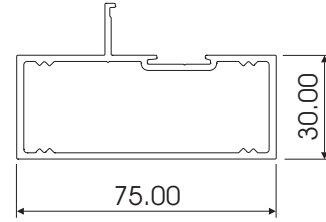
SHEERFRONT CLIP 15 SYSTEM PROFILE IDENTIFICATION



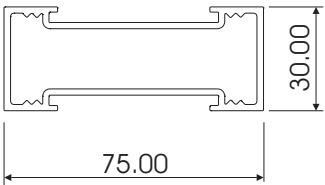
CLIP44 26C JAMB
OPEN BACK
CLO3A



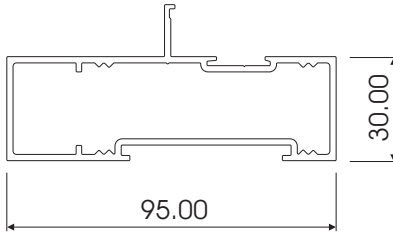
CLIP44 26B
RECESSED BACK
CLO2A



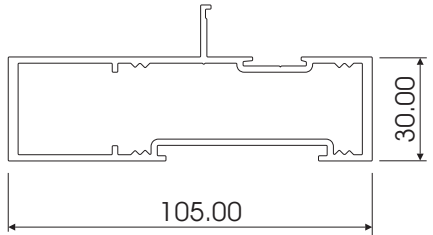
CLIP44 26E
FLAT BACK
CL49A



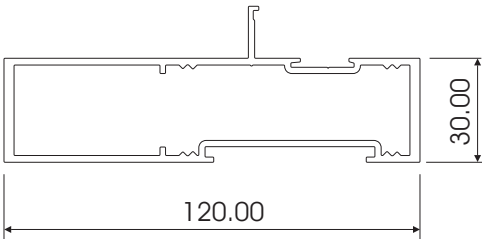
CLIP44 26D
RECESSED BACK
CL47A



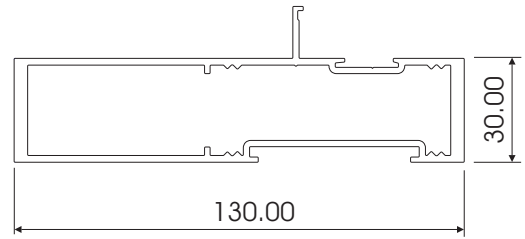
CLIP44 95B
RECESSED BACK
CL200



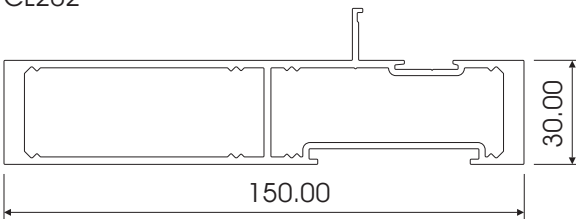
CLIP44 105B
RECESSED BACK
CL201



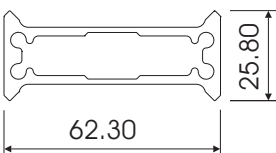
CLIP44 120B
RECESSED BACK
CL202



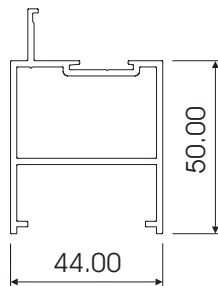
CLIP44 130B
RECESSED BACK
CL217



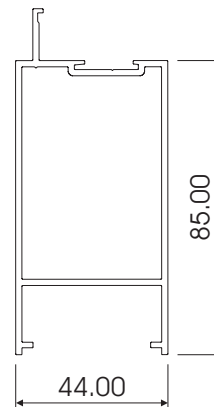
CLIP44 150B
RECESSED BACK
CL203



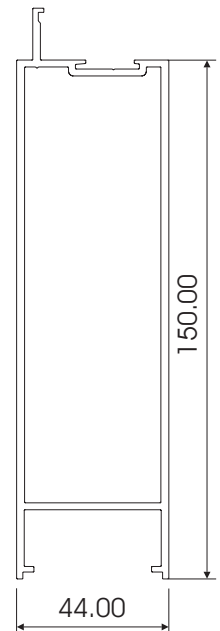
CLIP44 BOX SPIGOT
4 X S/PORT
CL40A



CLIP44 R7 HEAD/
SILL RAIL 50mm
CL22A

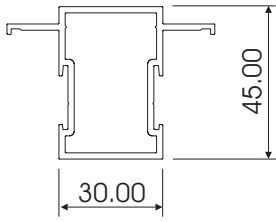


CLIP44 R4 HEAD/
SILL RAIL 85mm
CL17A

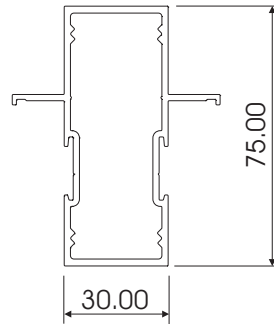


CLIP44 R6 SILL
RAIL 150mm
CL56A

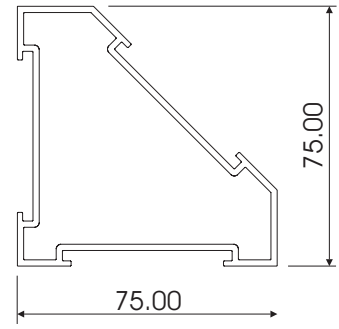
SHEERFRONT CLIP 15 SYSTEM PROFILE IDENTIFICATION



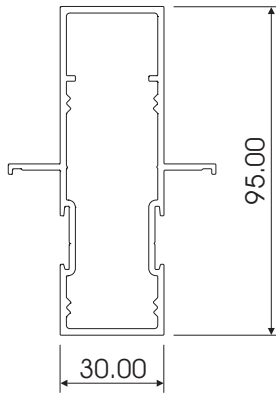
CLIP44 GLAZING BAR
CL72A



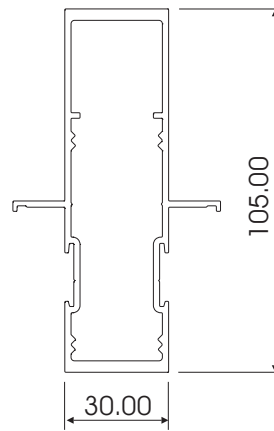
CLIP44 26 MULLION
CL01A



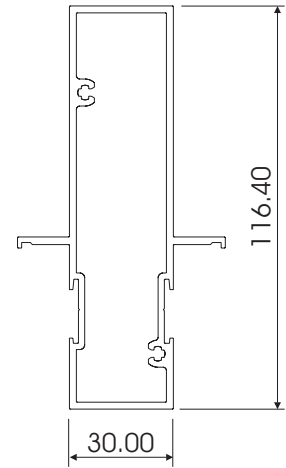
CLIP44 CORNER MULLION
CL08A



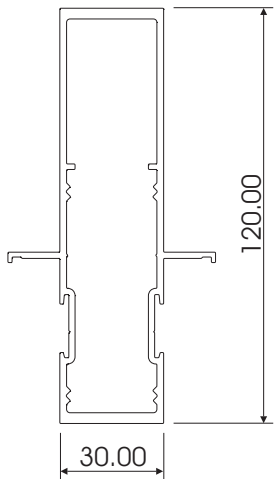
CLIP44 MULLION W95
CL215



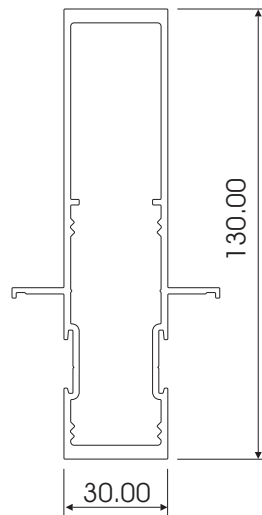
CLIP44 MULLION W105
CL216



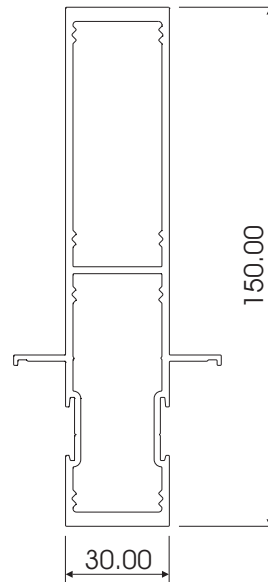
CLIP44 MULLION 116.4mm
CL219



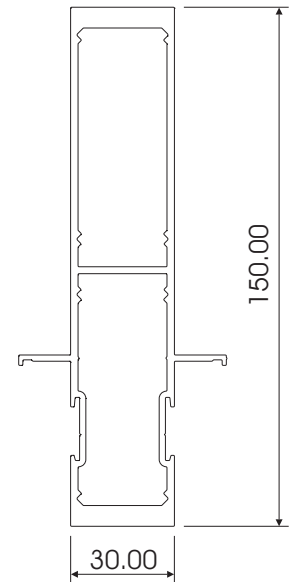
CLIP44 MULLION W120
CL06A



CLIP44 MULLION W130
CL226

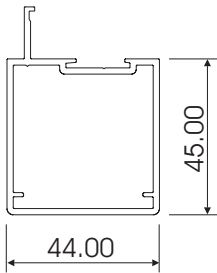


CLIP44 W150 MULLION
CL07A

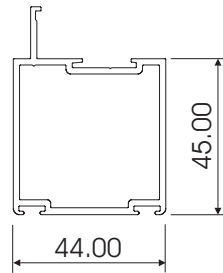


CLIP44 150mm MULLION
HEAVY DUTY
CL204

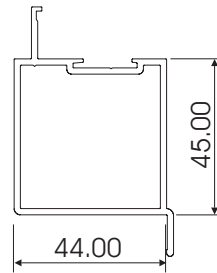
SHEERFRONT CLIP 15 SYSTEM PROFILE IDENTIFICATION



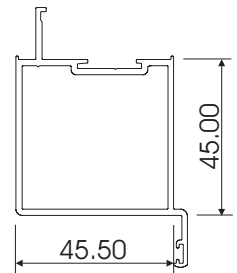
CLIP44 R1
DOOR JAMB
CL15A



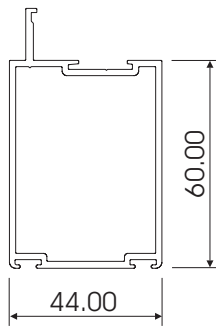
CLIP44 R3 SPECIAL
DOOR JAMB
CL16A



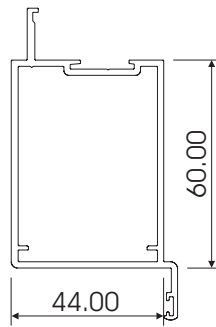
CLIP44 R12 DOUBLE
DOOR JAMB
CL214



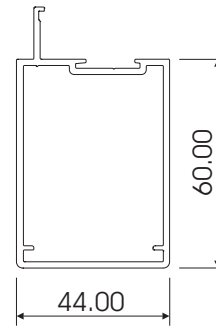
CLIP44 R12 SPECIAL
CL42A



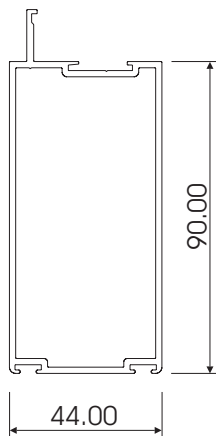
CLIP44 R11W
D/STILE 60mm W/PILE
CL221



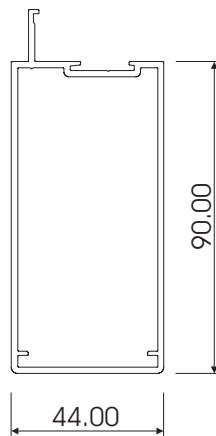
CLIP44 R11SP
D/STILE 60mm
CL227



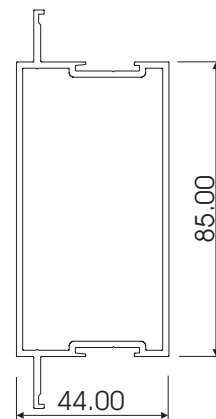
CLIP44 R11
DOOR JAMB
CL218



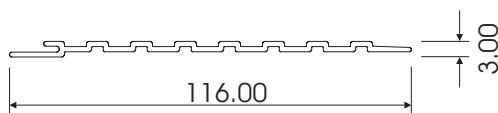
CLIP44 R9W
D/STILE 90mm W/PILE
CL51A



CLIP44 R9
D/STILE 90mm
CL52A

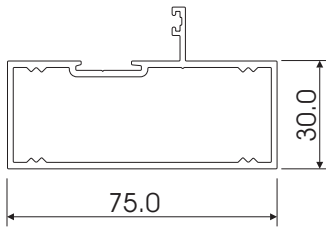


CLIP44 R4-SPECIAL
MID RAIL 85mm
CL18A

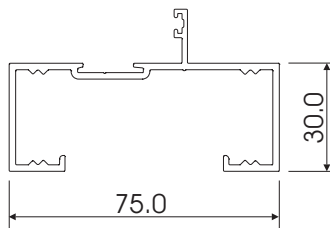


CLIP44 R19 SPECIAL CLADDING
W27934

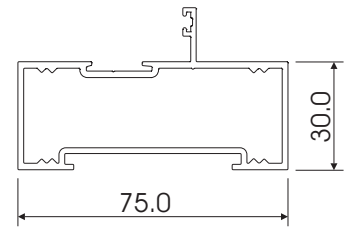
SHEERFRONT CLIP 15 SYSTEM ALTERNATE WOOLPILE PROFILES



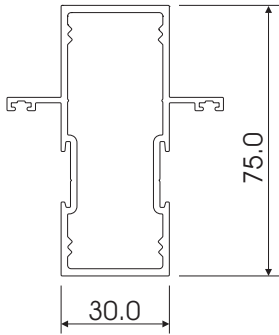
CLIP44 FLAT
BACK WOOLPILE
CL49GW



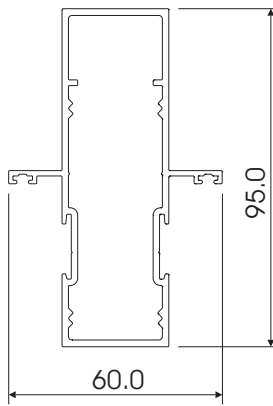
CLIP44 JAMB
OPEN BACK WOOLPILE
CL03GW



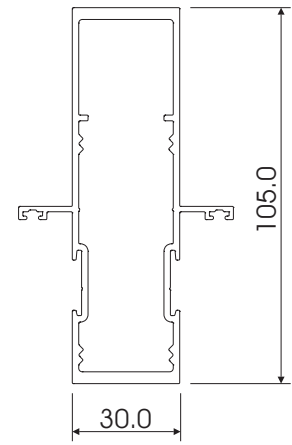
CLIP 44 RECESSED
BACK WOOLPILE
CL02GW



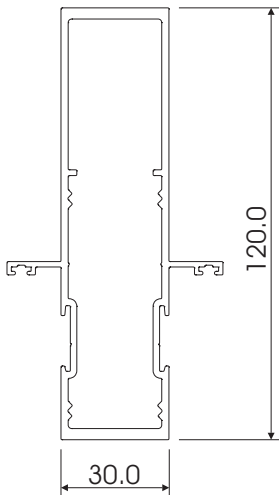
CLIP44 MULLION
WOOLPILE
CL01GW



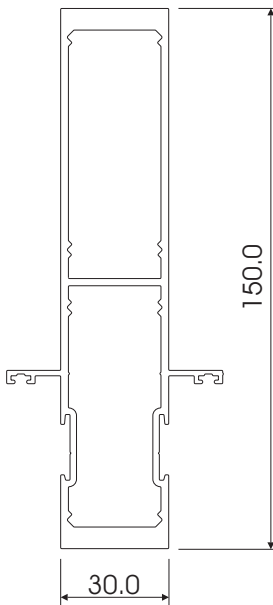
CLIP44 W95 MULLION
WOOLPILE
W56015



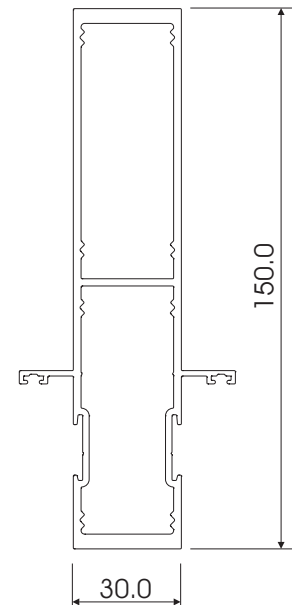
CLIP44 W105 MULLION
WOOLPILE
W56014



CLIP44 W150 MULLION
WOOLPILE
CL06GW

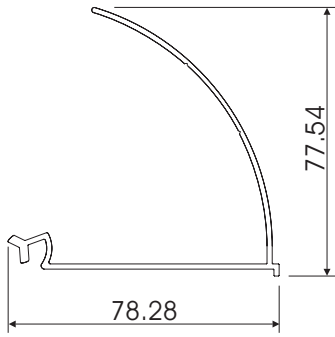


CLIP44 150mm MULLION
WOOLPILE HEAVY DUTY
W56012

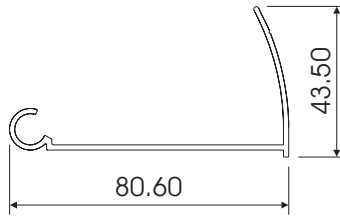


CLIP44 W150 MULLION
WOOLPILE
CL07GW

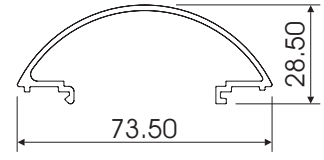
SHEERFRONT CLIP 15 SYSTEM PROFILE IDENTIFICATION



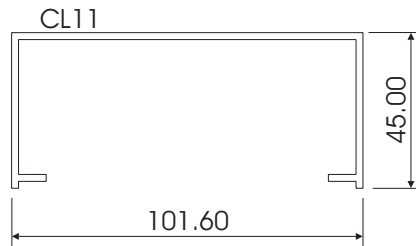
CLIP44 CORNER
MULLION 1
CL105



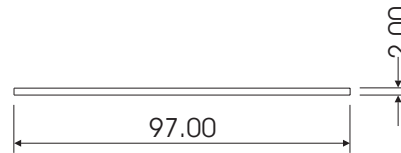
CLIP44 CORNER
MULLION 2
CL106



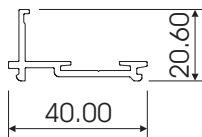
CLIP44 CURVED CLIP
HAND RAIL
CL50A



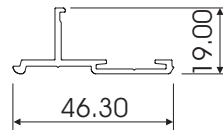
CLIP44 TRANSOM
CL10A



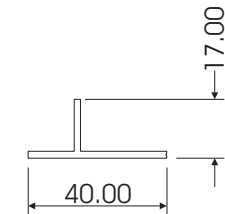
CLIP44 TRANSOM COVER
CL11



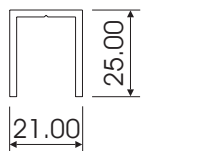
CLIP44 R4 FILLER
ADAPTOR
CL19A



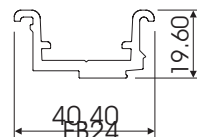
CLIP44 GLAZING
ADAPTOR
CL72A



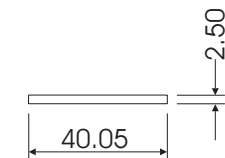
CLIP44 R4 SILL
END FILLER
CL20A



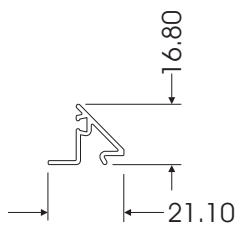
CLIP44 CHANNEL
SPIGOT
CH05



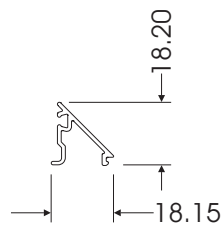
CLIP44 SPIGOT
CL25A



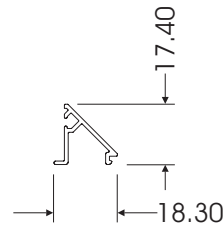
CLIP44 40mm
COVER PLATE
FB24



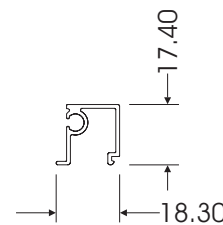
CLIP44 ANGLED
GLAZING BEAD
CL225



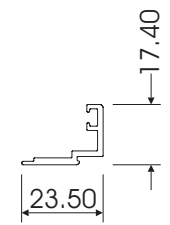
NEW CLIP44 ANGLED
GLAZING BEAD
CL13A



CLIP44 ANGLED
GLAZING BEAD
CL13

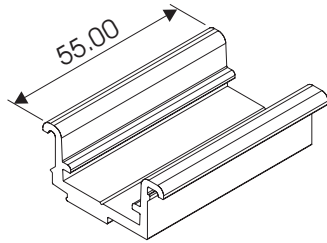


CLIP44 SQUARE
GLAZING BEAD
CL14A

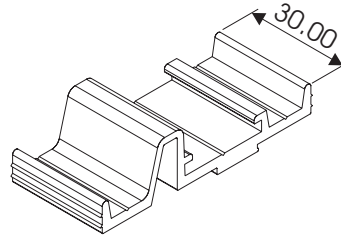


CLIP44 DOUBLE
GLAZING BEAD
CL66A

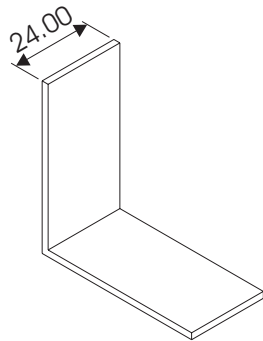
SHEERFRONT CLIP 15 SYSTEM FRAME HARDWARE IDENTIFICATION



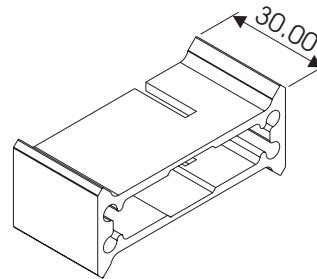
SPIGOT
CL25A



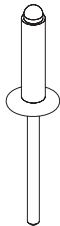
FRAME SPIGOT
CL39A



EQUAL ANGLE 50.0 x 50.0 x 2.0
W20435



BOX SPIGOT 4 X S/PORT
CL40W



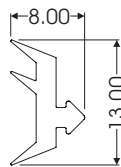
4x10 COUNTERSUNK
RIVET
CSKR410



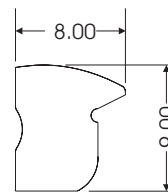
POP RIVET
4.8x12mm
CSKR4812



8x40 P/HEAD POSI
S/S SCREW
SC0840P



BUTTERFLY H13
CLPIV4FG

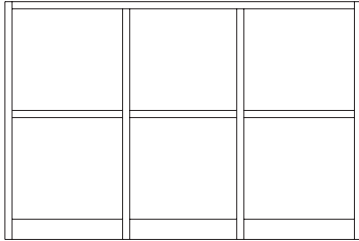


WEDGE H2
CLRIV65FG

SHEERFRONT CLIP 15 SYSTEM TYPICAL FRAME CONFIGURATIONS

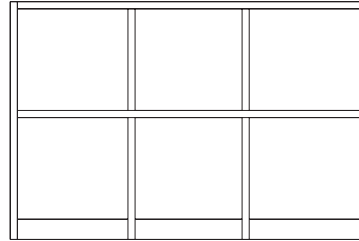


REGULAR SHOPFRONT FRAME
MULLIONS CONTINUOUS



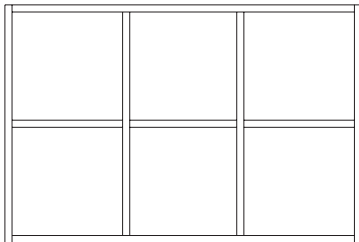
SRV-32

REGULAR SHOPFRONT FRAME
TRANSOMS CONTINUOUS



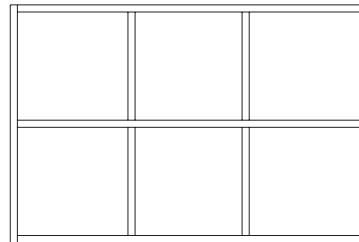
SRH-32

SHOPFRONT WINDOW FRAME
MULLIONS CONTINUOUS



WRV-32

SHOPFRONT WINDOW FRAME
TRANSOMS CONTINUOUS



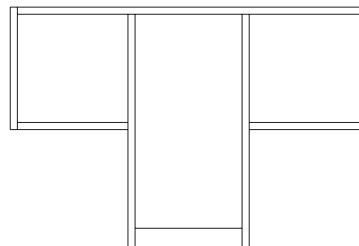
WRH-32

UPSTAND SHOPFRONT FRAME
SIDE INSERT



SUA-32

UPSTAND SHOPFRONT FRAME
CENTRE INSERT

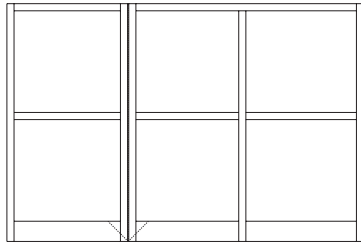


SUS-32

SHEERFRONT CLIP 15 SYSTEM TYPICAL FRAME CONFIGURATIONS

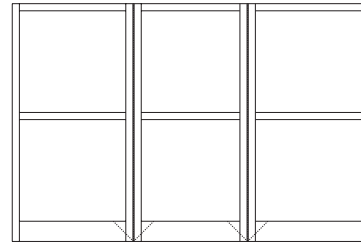


SINGLE CORNER POST
SHOPFRONT FRAME



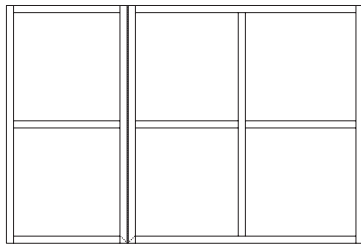
SC1-32

TWO CORNER POST
SHOPFRONT FRAME



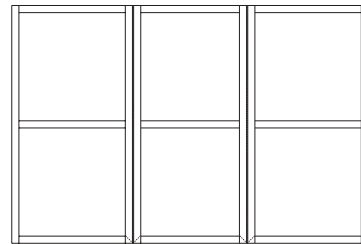
SC2-32

SINGLE CORNER POST
WINDOW FRAME



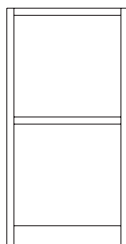
WC1-32

TWO CORNER POST
WINDOW FRAME



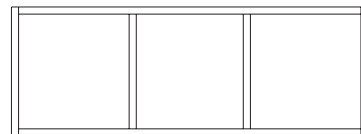
WC2-32

PALACE SIDE LIGHT FRAME



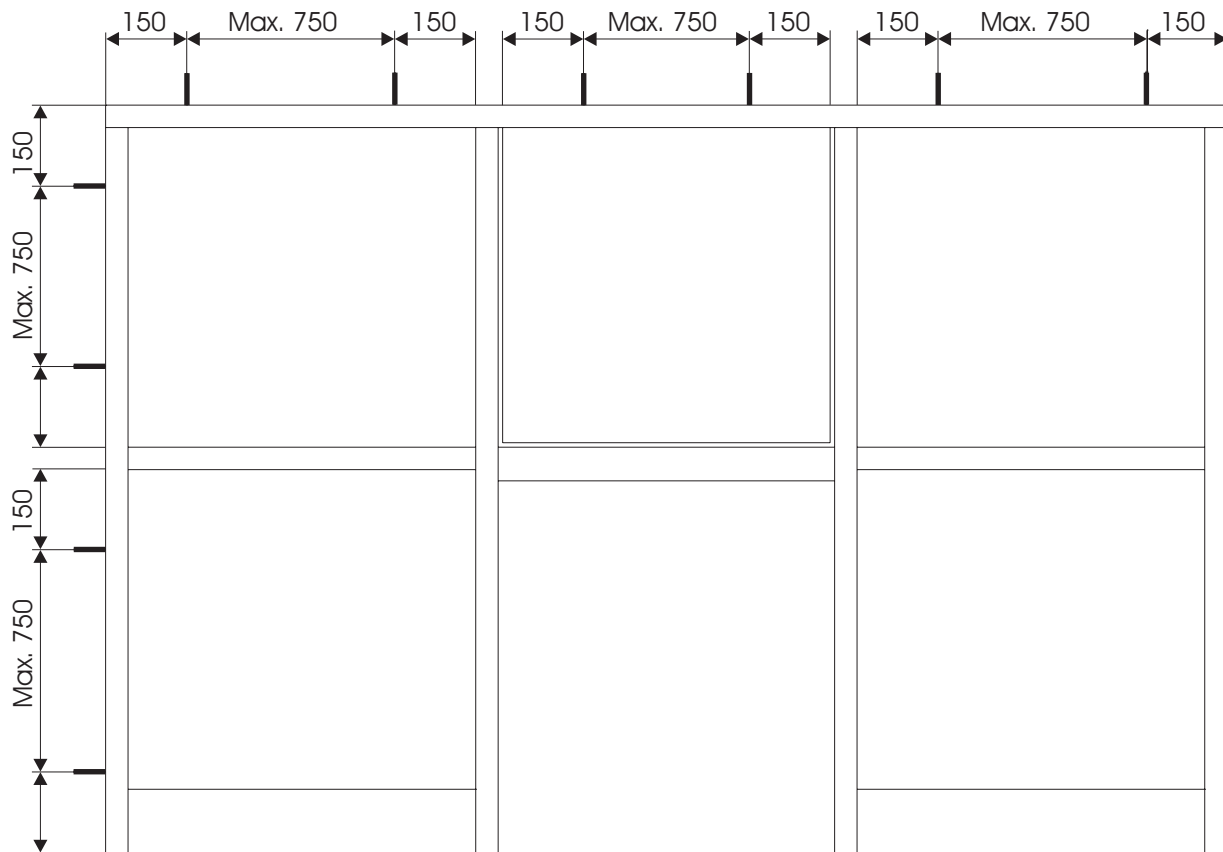
RSSF-12

PALACE TOP LIGHT FRAME



RTSF-31

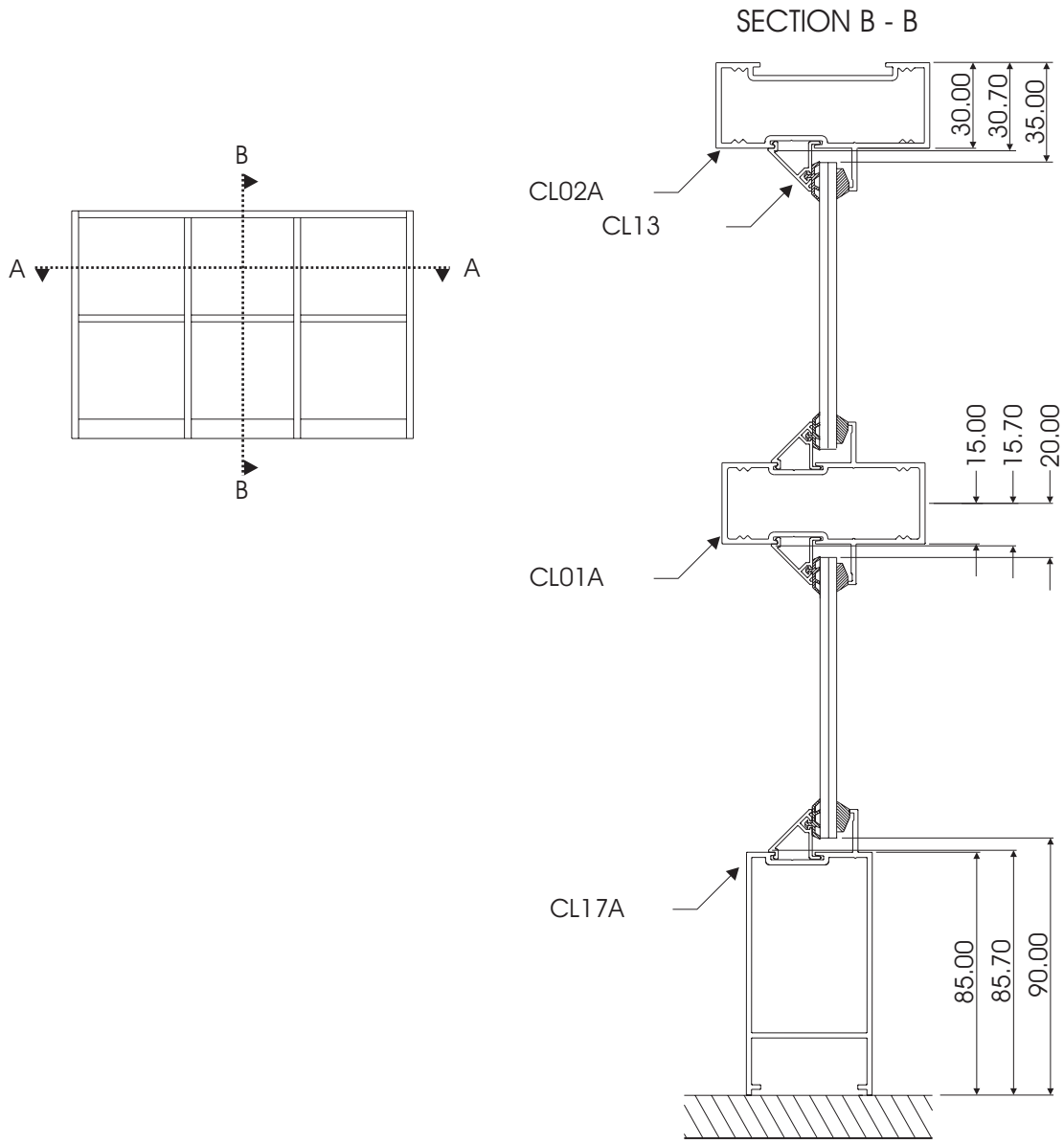
SHEERFRONT CLIP 15 SYSTEM FIXING DETAILS



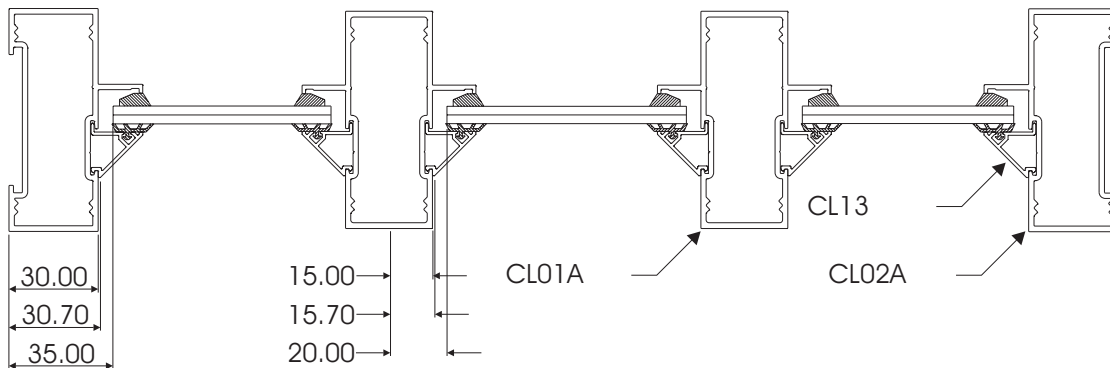
General:

The window is fixed into position - the sill is then built at a later stage - the bottom lugs can be left in place but it is often found that most times the mason either bends them out of its way or breaks them off. This practically means that most windows are only secured on 3 sides.

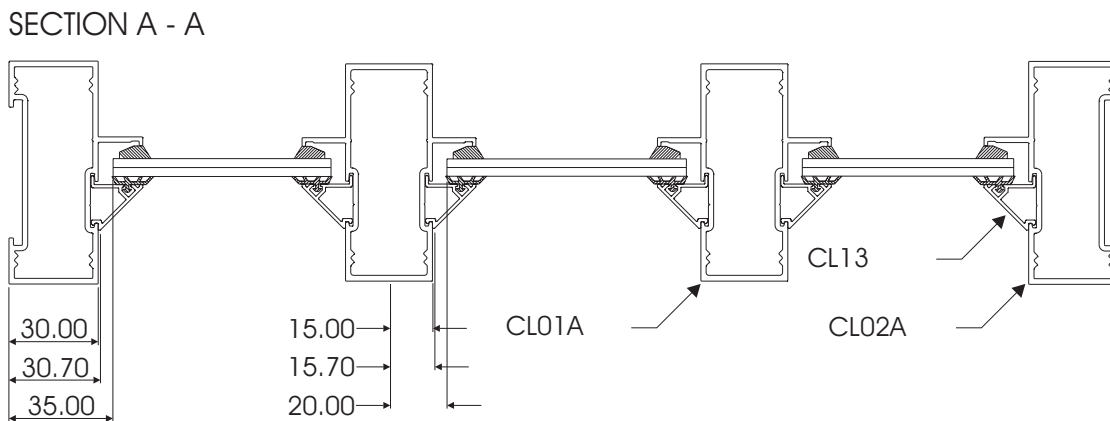
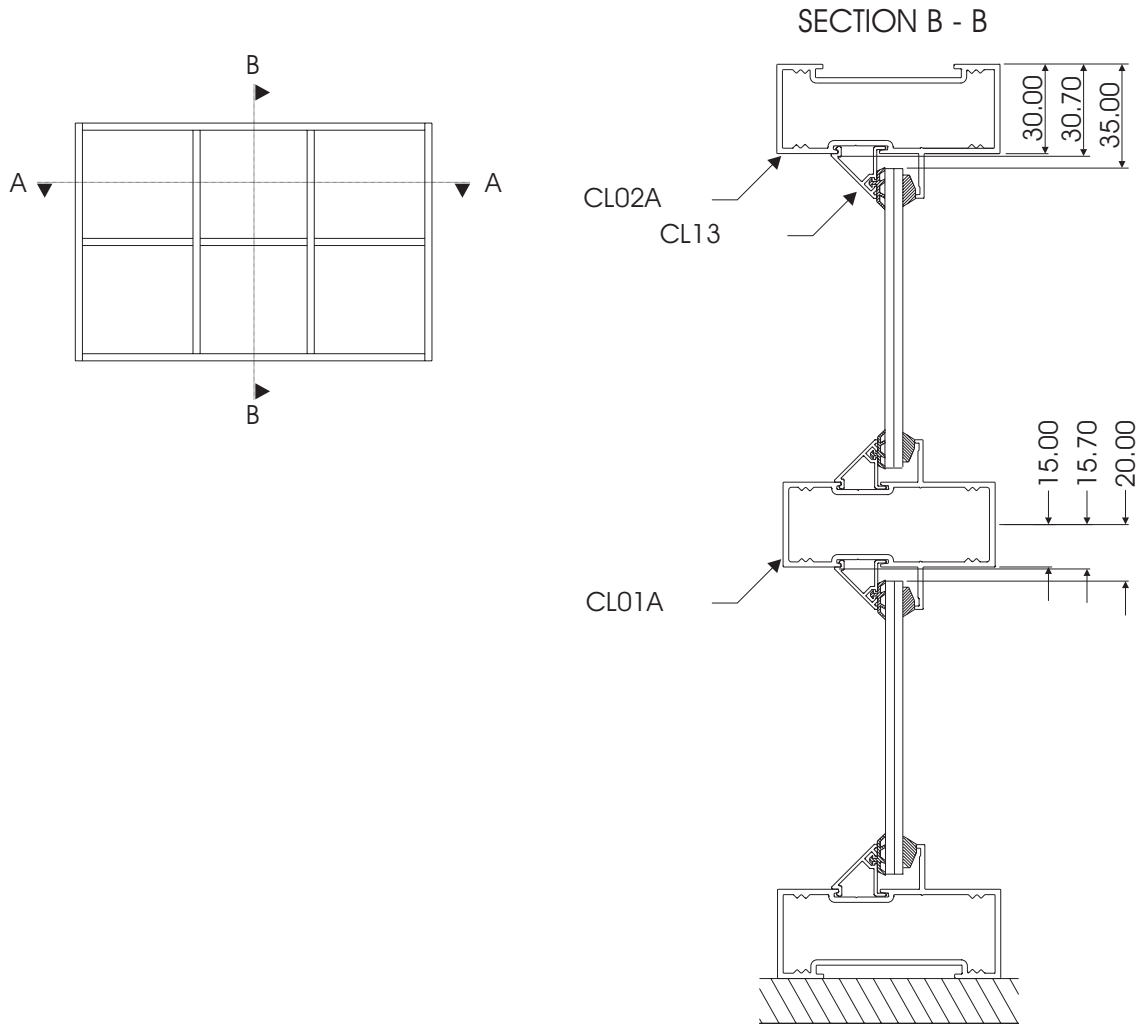
SHEERFRONT CLIP 15 SYSTEM REGULAR SHOPFRONT FRAME CROSS SECTIONAL DETAIL



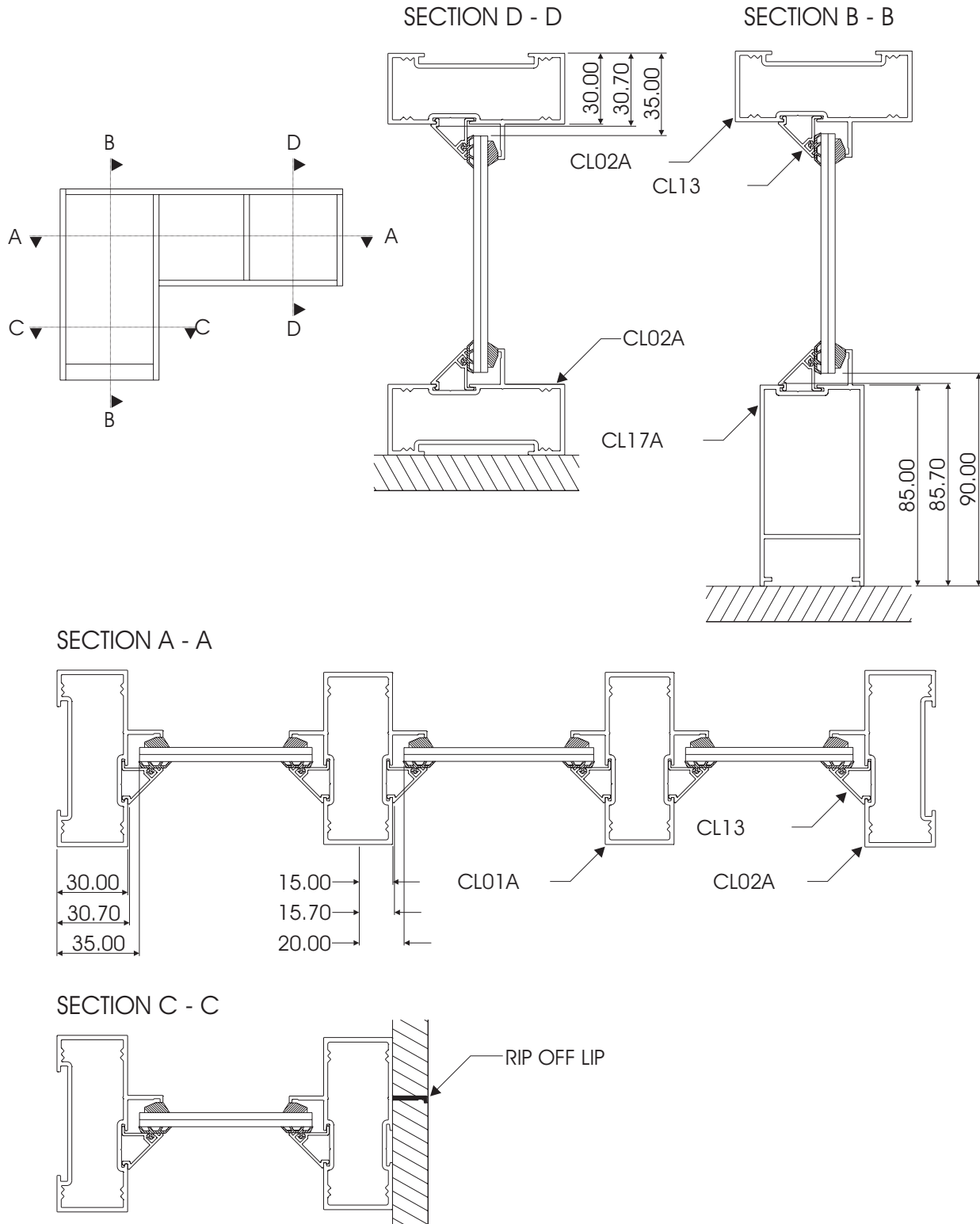
SECTION A - A



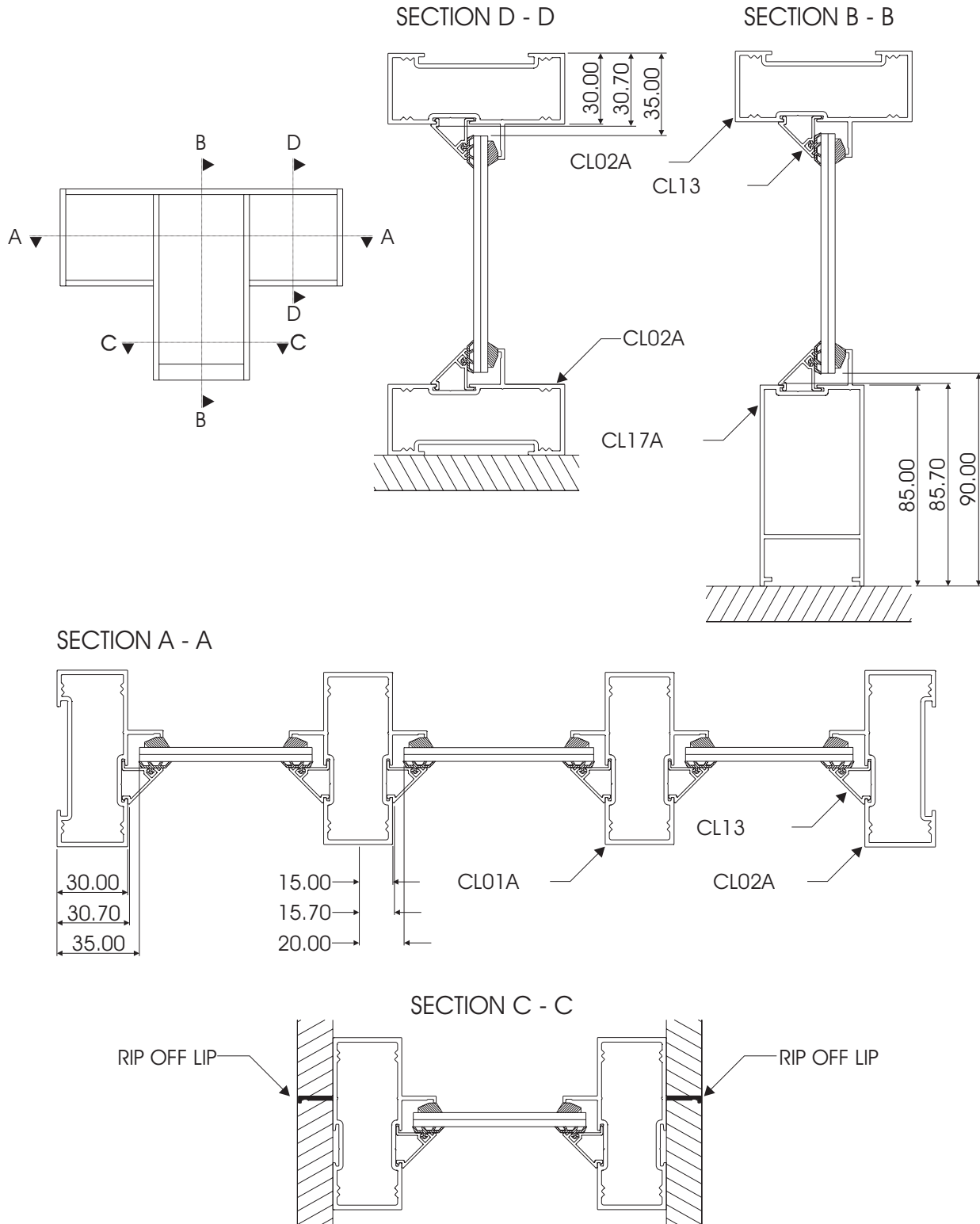
SHEERFRONT CLIP 15 SYSTEM SHOPFRONT WINDOW FRAME CROSS SECTIONAL DETAIL



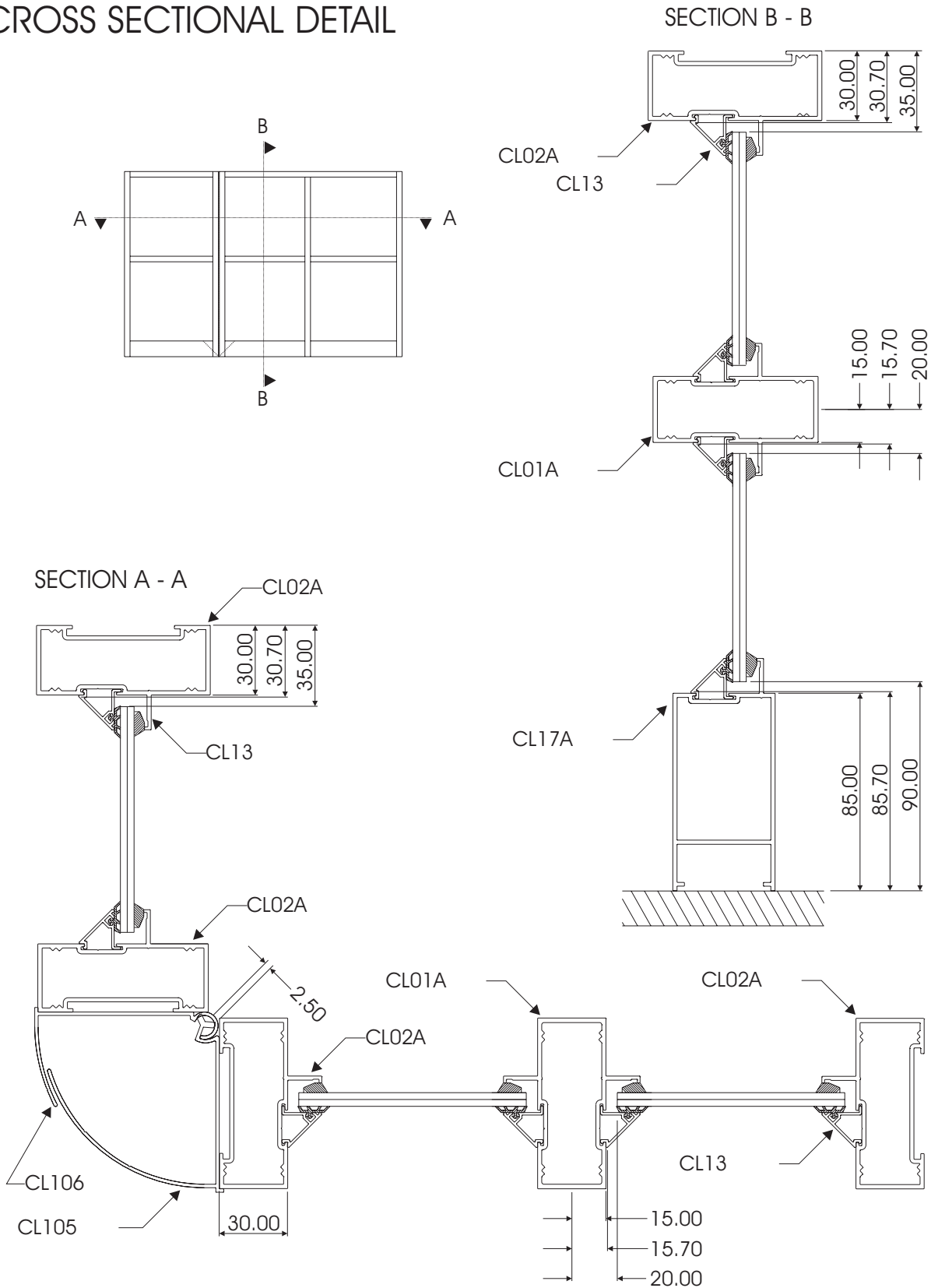
SHEERFRONT CLIP 15 SYSTEM
 UPSTAND SHOPFRONT FRAME
 SIDE INSERT
 CROSS SECTIONAL DETAIL



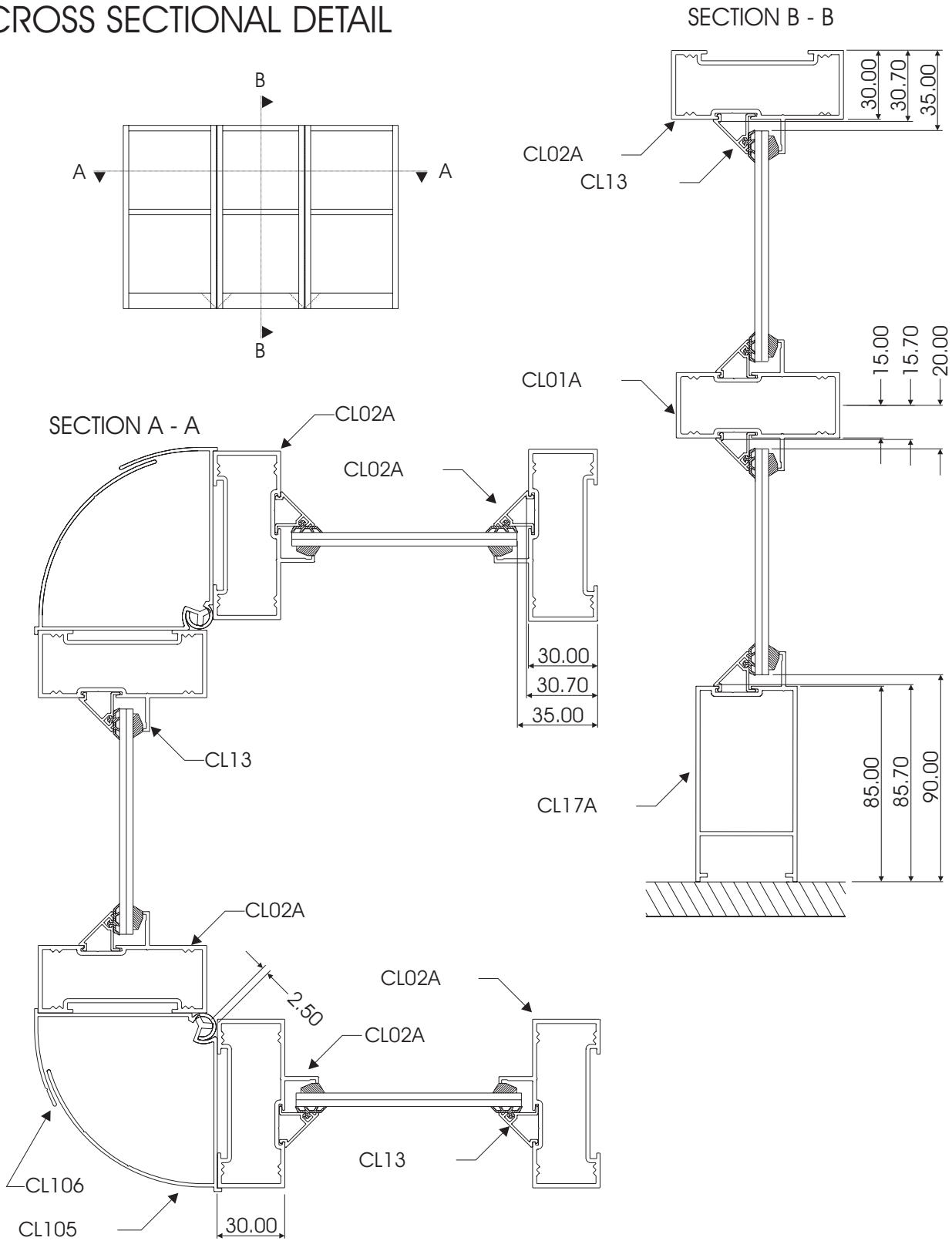
SHEERFRONT CLIP 15 SYSTEM
 UPSTAND SHOPFRONT FRAME
 CENTRE INSERT
 CROSS SECTIONAL DETAIL



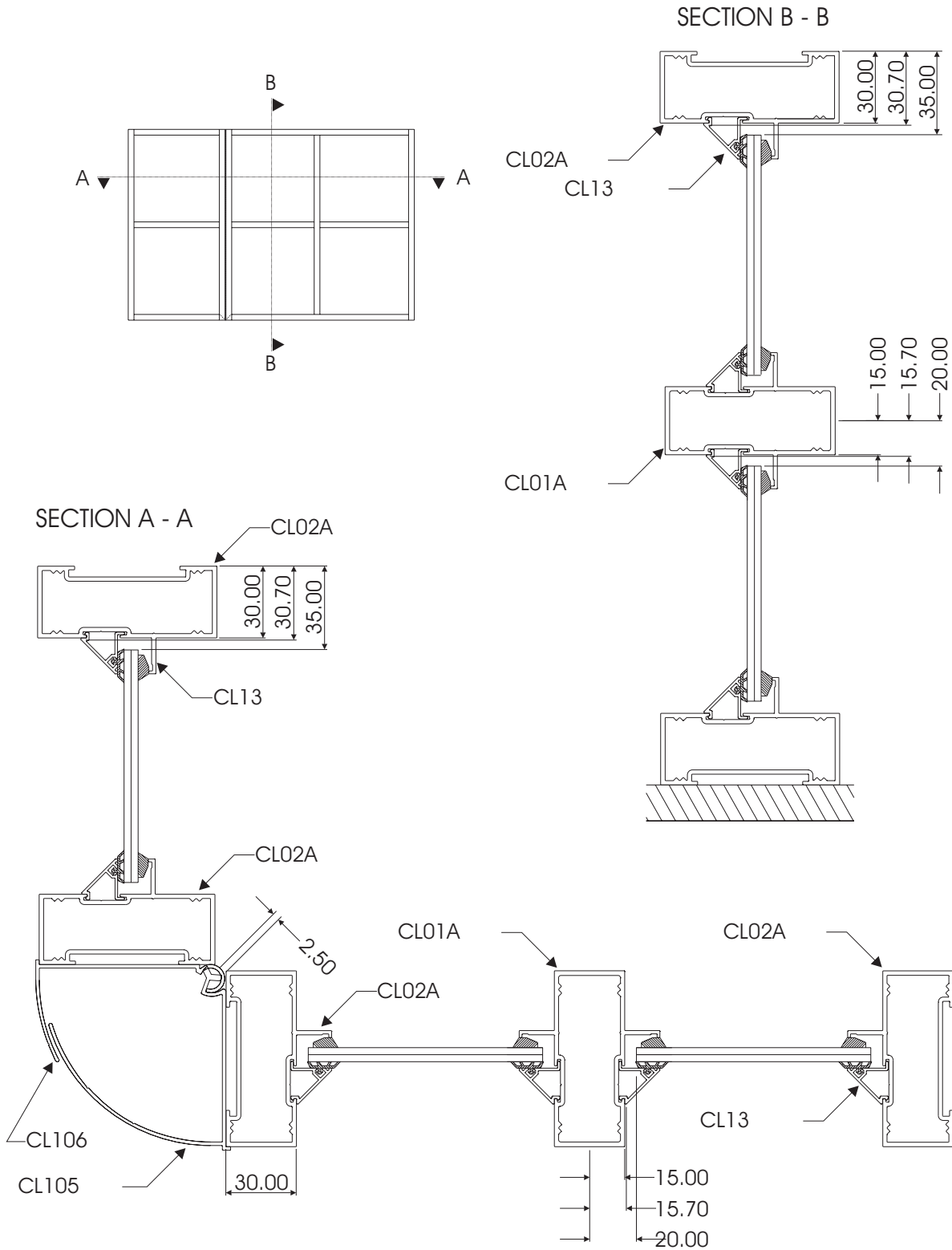
SHEERFRONT CLIP 15 SYSTEM
 SINGLE CORNER POST
 SHOPFRONT FRAME
 CROSS SECTIONAL DETAIL



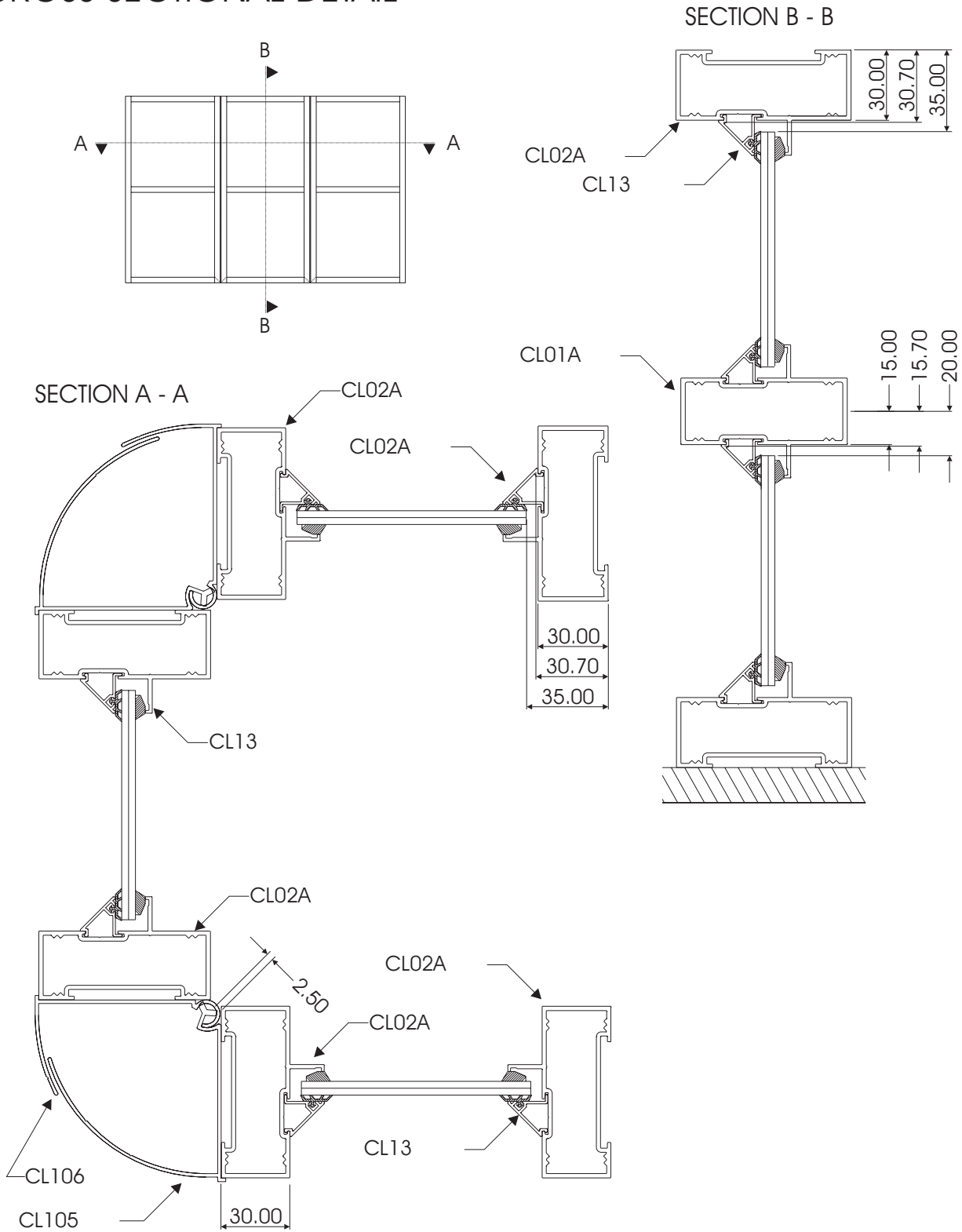
SHEERFRONT CLIP 15 SYSTEM
 TWO CORNER POST
 SHOPFRONT FRAME
 CROSS SECTIONAL DETAIL



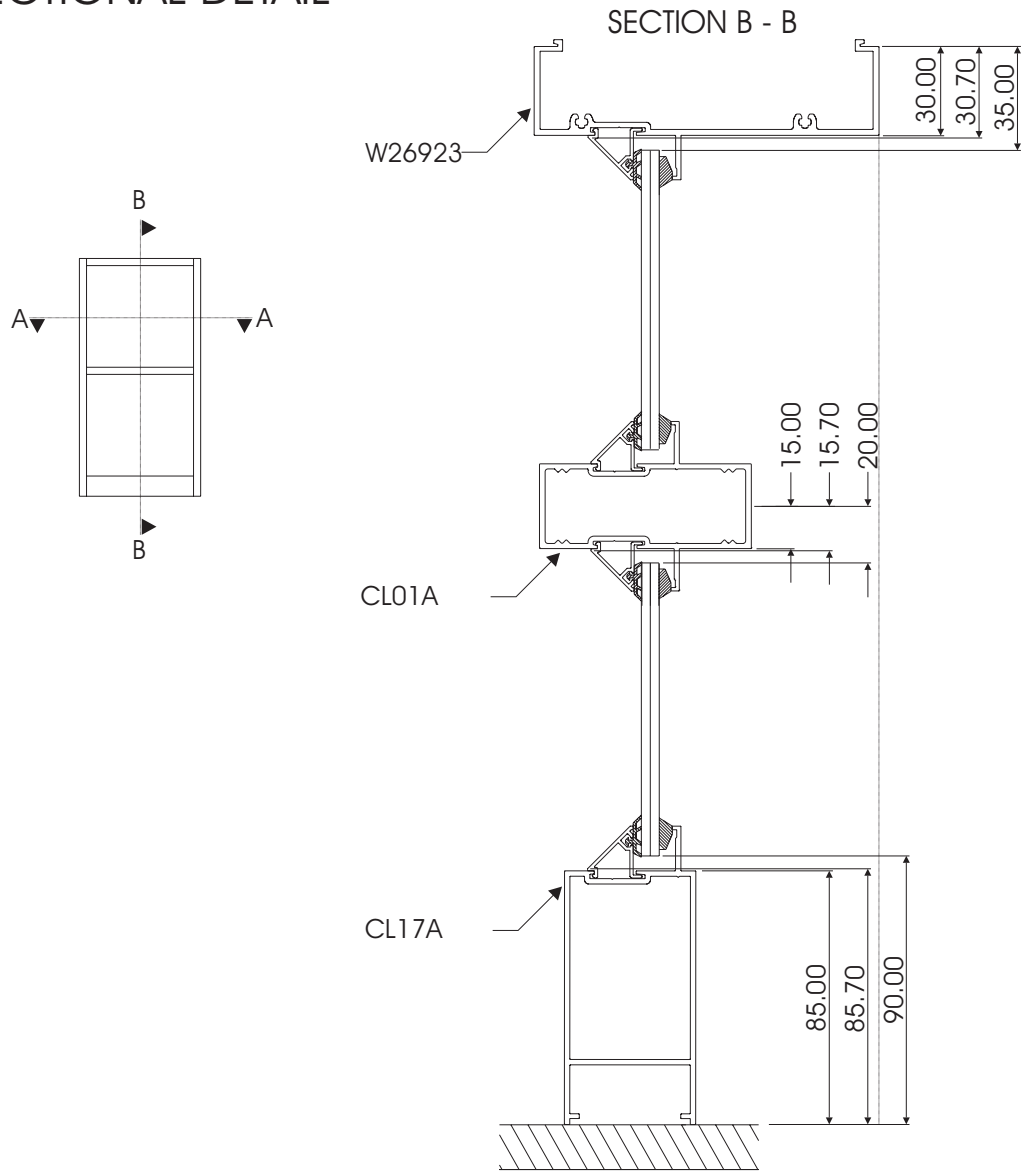
SHEERFRONT CLIP 15 SYSTEM
 SINGLE CORNER POST
 WINDOW FRAME
 CROSS SECTIONAL DETAIL



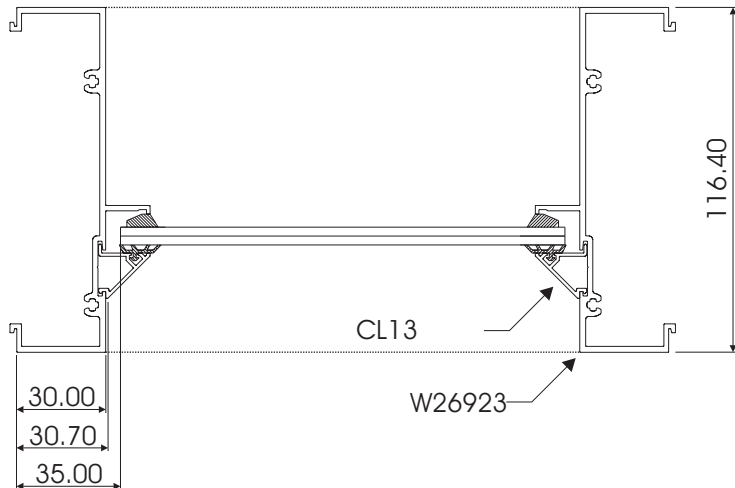
SHEERFRONT CLIP 15 SYSTEM
 TWO CORNER POST
 WINDOW FRAME
 CROSS SECTIONAL DETAIL



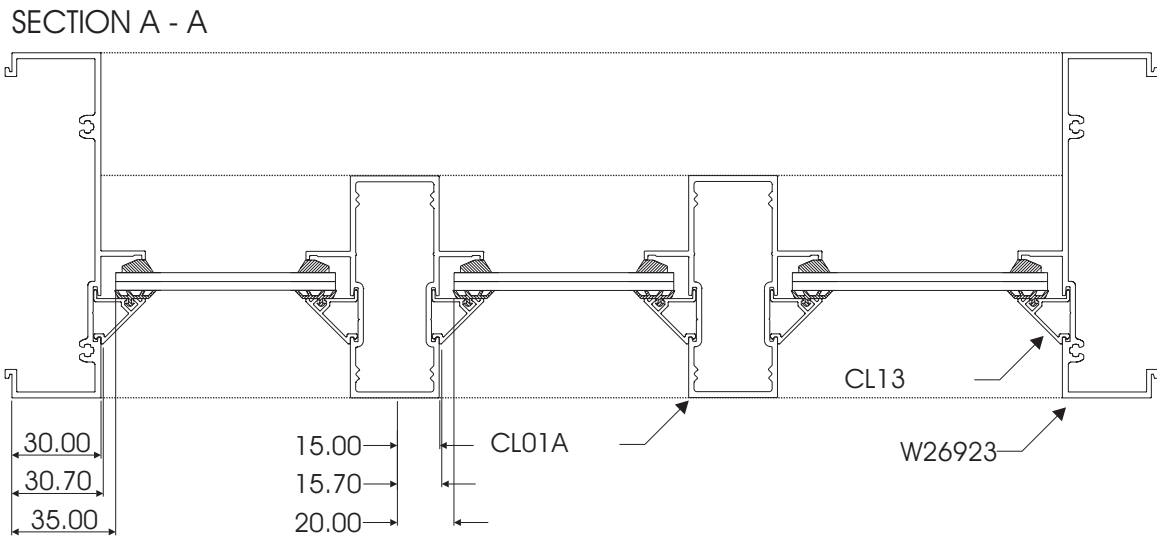
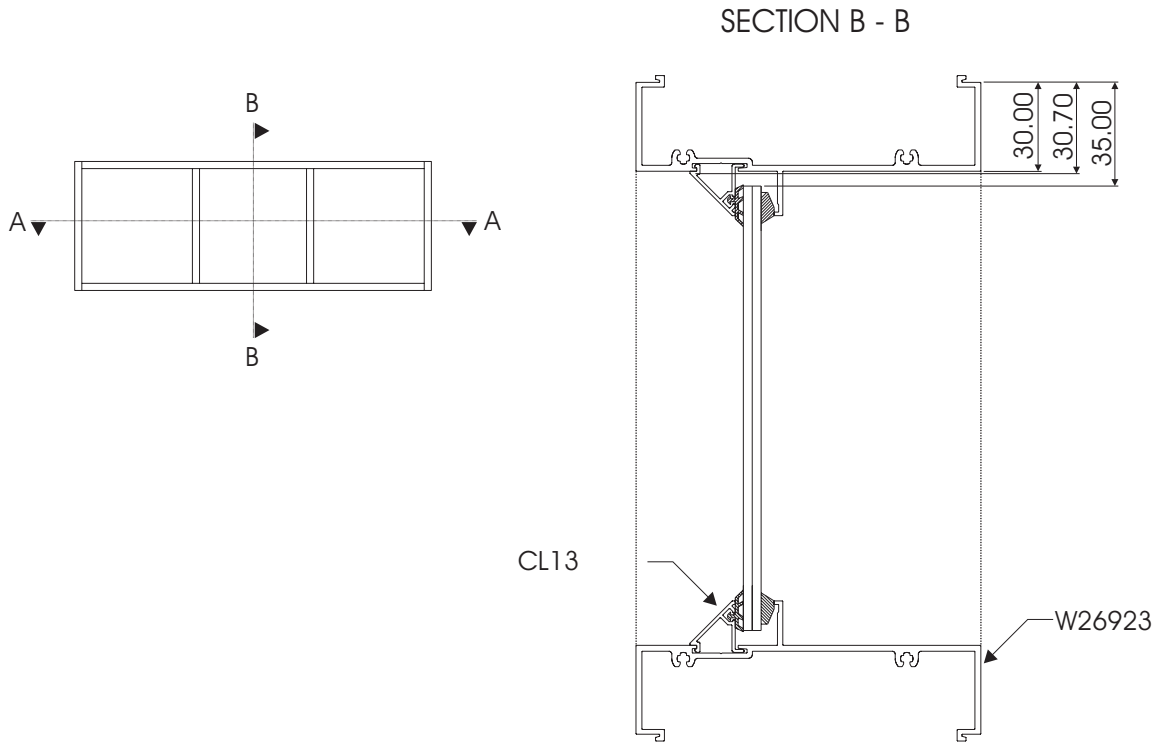
SHEERFRONT CLIP 15 SYSTEM
 PALACE SIDE LIGHT FRAME
 CROSS SECTIONAL DETAIL



SECTION A - A



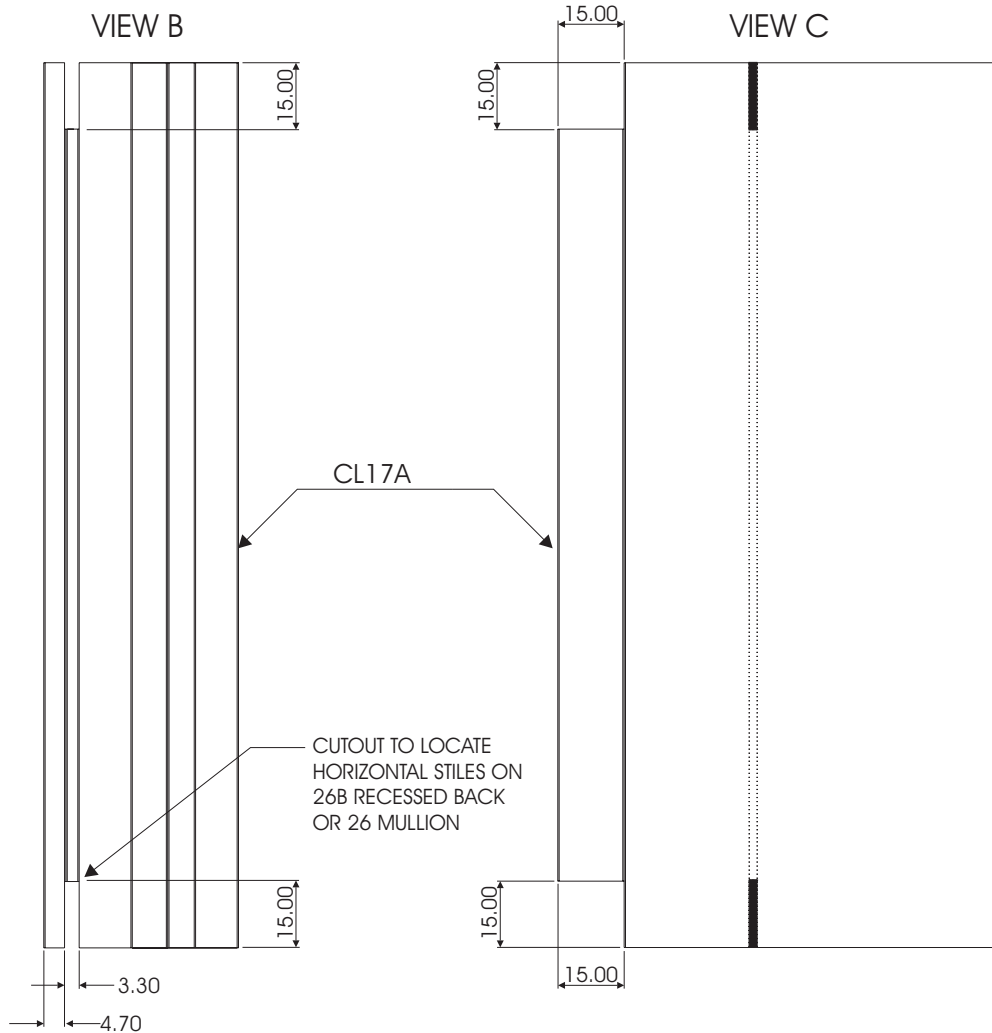
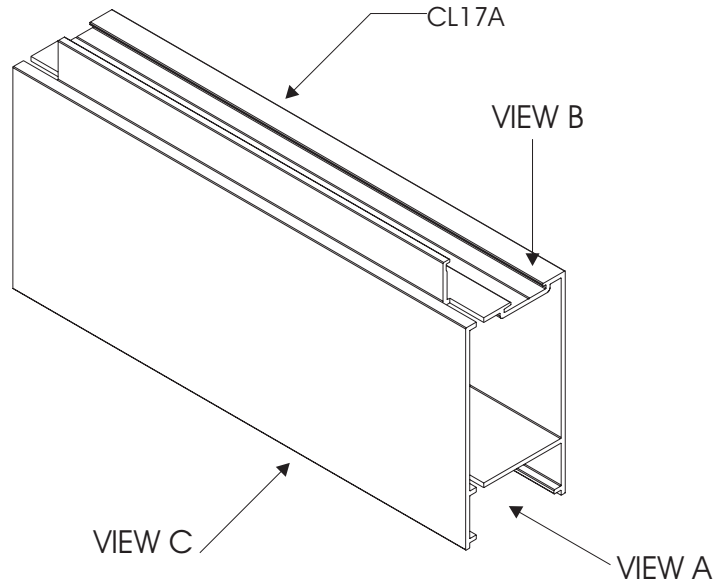
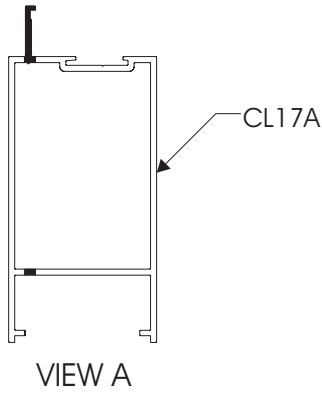
SHEERFRONT CLIP 15 SYSTEM PALACE TOP LIGHT FRAME CROSS SECTIONAL DETAIL



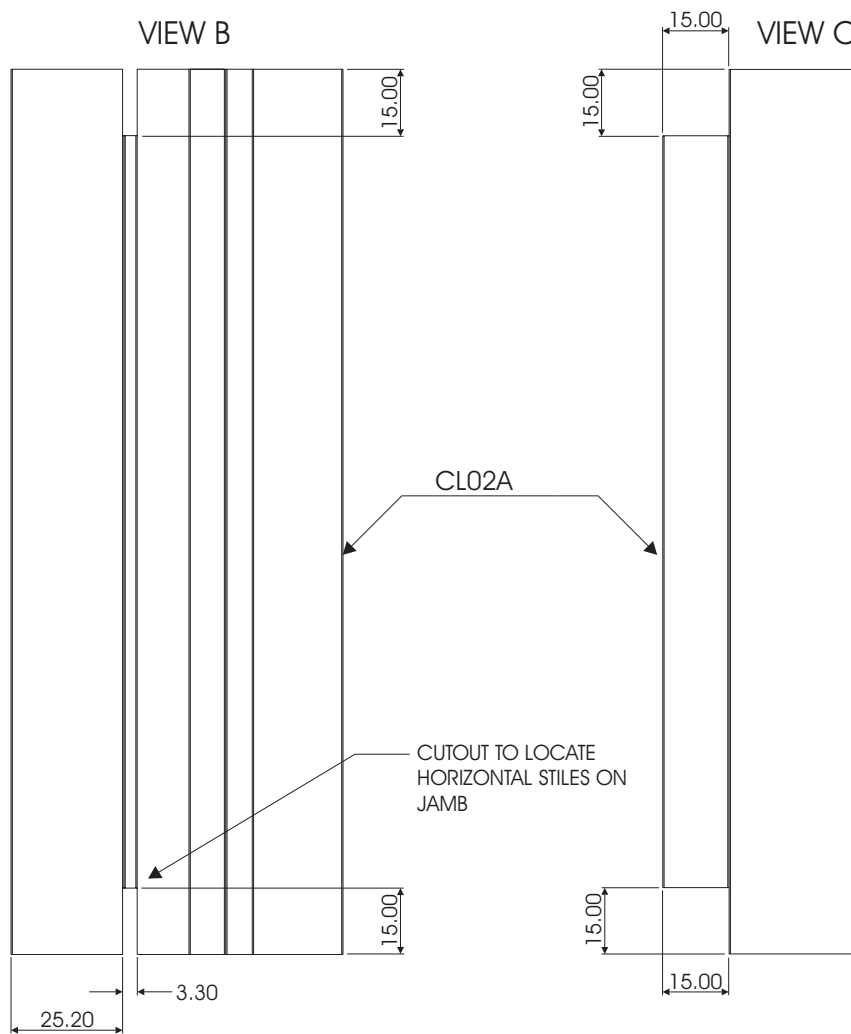
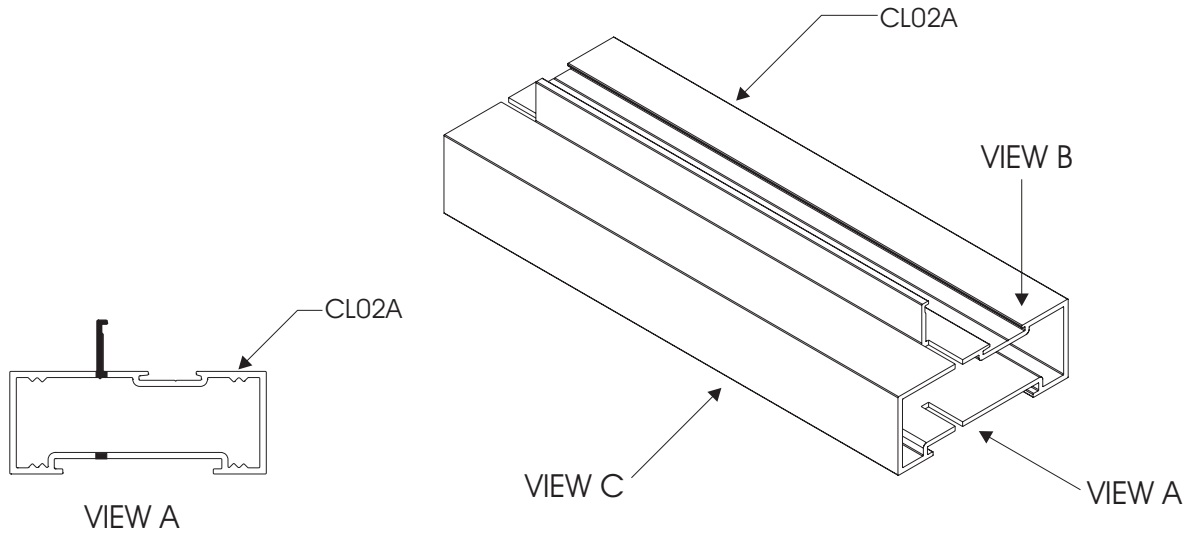
SHEERFRONT CLIP 15 SYSTEM SILL MACHINING DETAIL TO SUIT ALL SILL COMBINATIONS



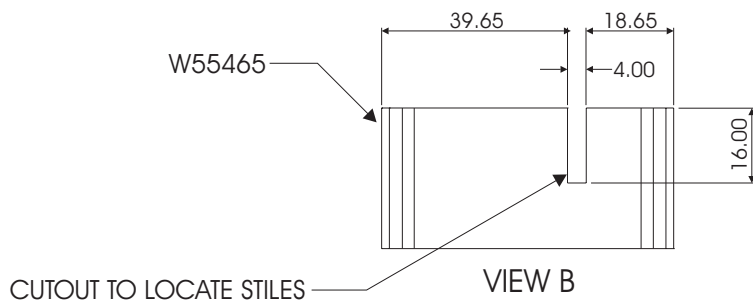
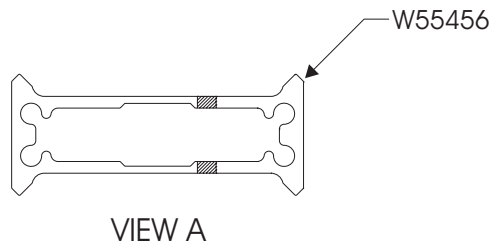
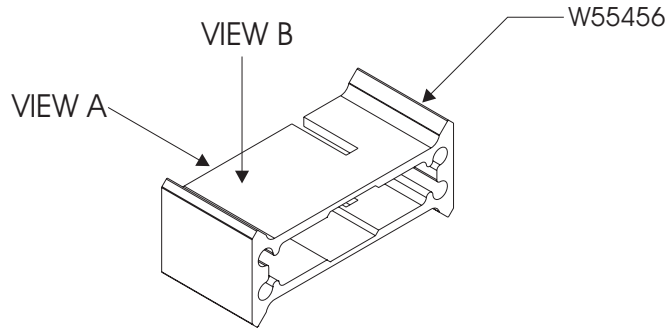
NOTE:
FOR SILL COMBINATIONS PLEASE
REFER TO PAGE A33 OF THIS MANUAL



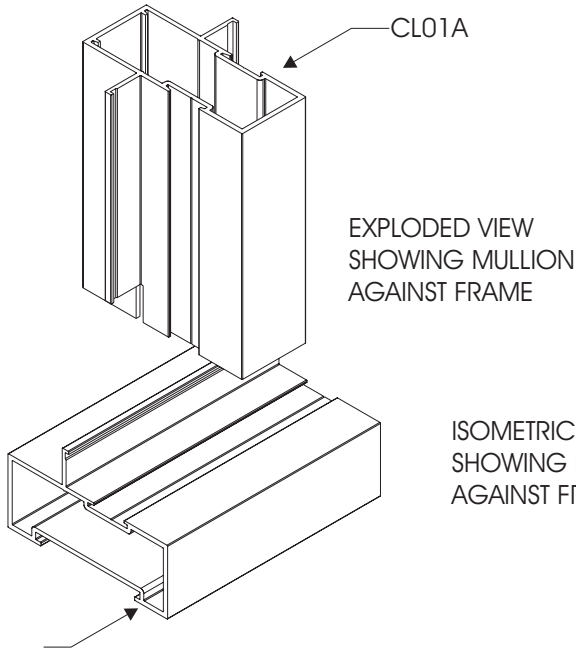
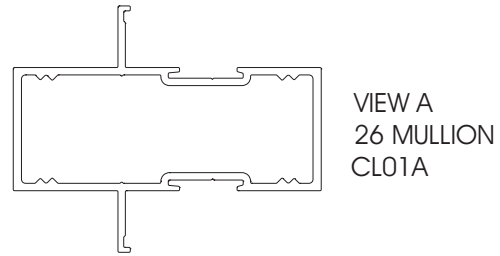
SHEERFRONT CLIP 15 SYSTEM
 HEAD MACHINING DETAIL
 TO SUIT 26B; 26C & 26E



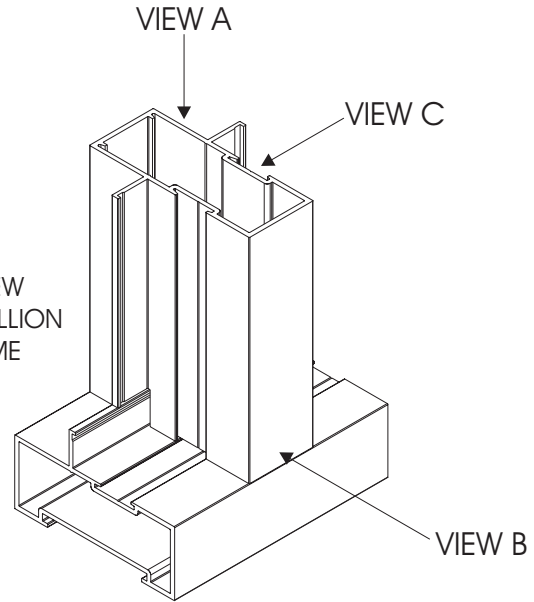
SHEERFRONT CLIP 15 SYSTEM BOX SPIGOT MACHINING DETAIL



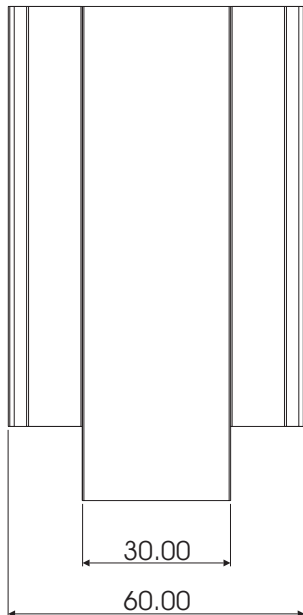
SHEERFRONT CLIP 15 SYSTEM
 26 MULLION MACHINING DETAIL
 FOR END MILLING
 ON 26B RECESSED BACK



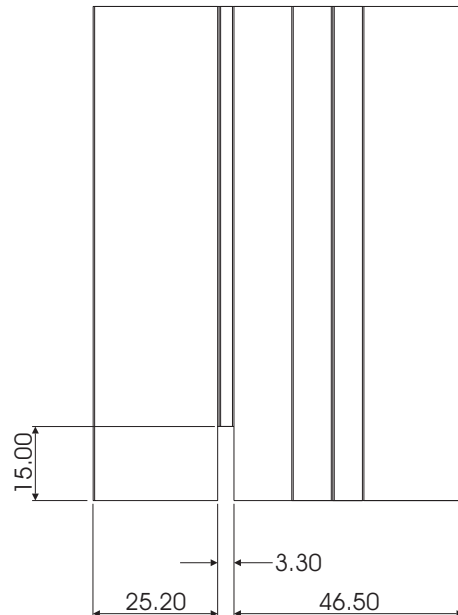
ISOMETRIC VIEW
 SHOWING MULLION
 AGAINST FRAME



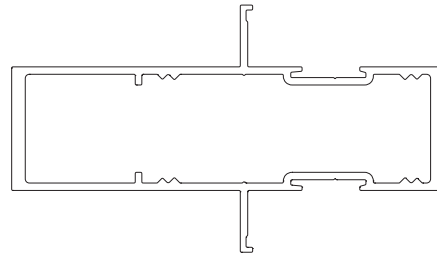
VIEW B



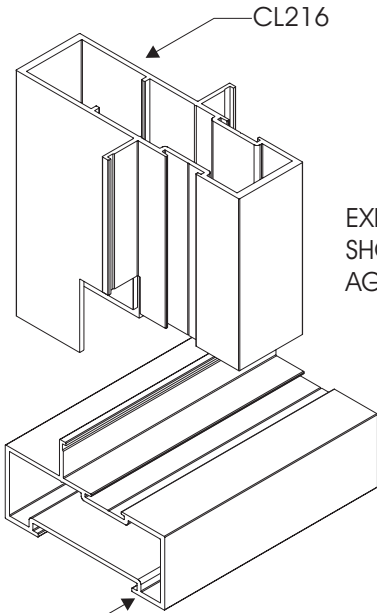
VIEW C



SHEERFRONT CLIP 15 SYSTEM
 MULLION W105 MACHINING DETAIL
 FOR END MILLING
 ON 26B RECESSED BACK



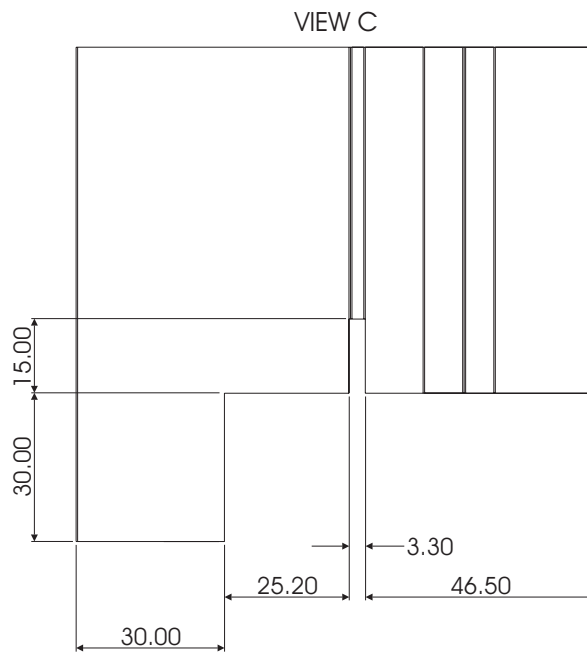
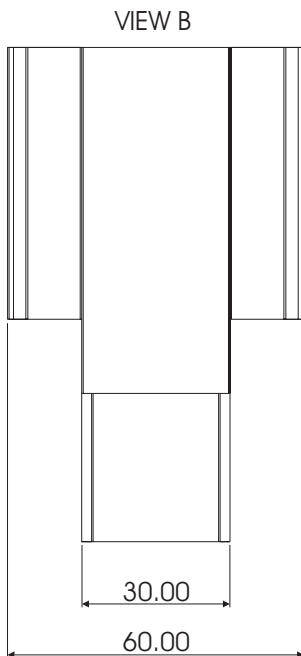
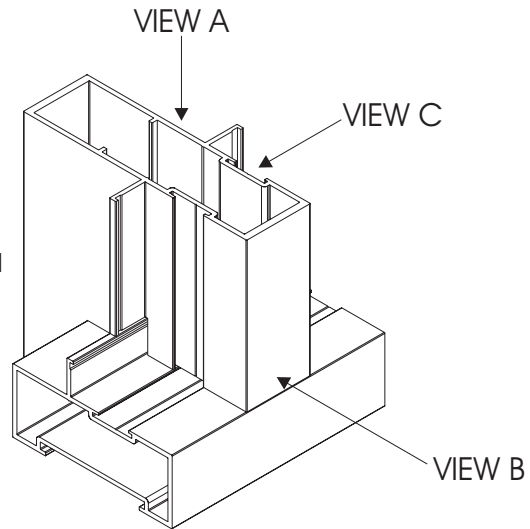
VIEW A
 MULLION W105
 CL216



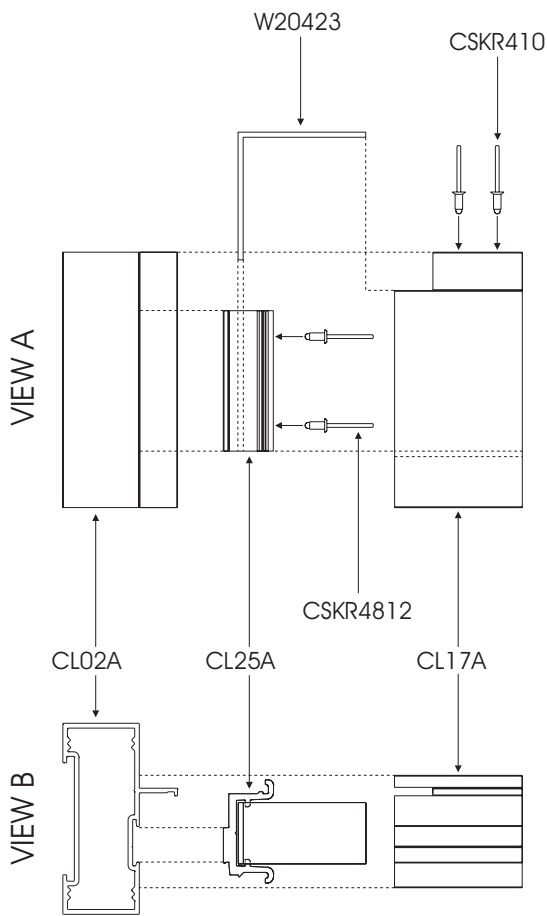
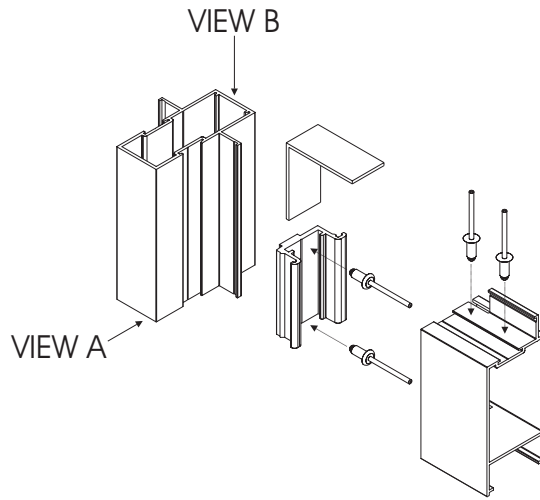
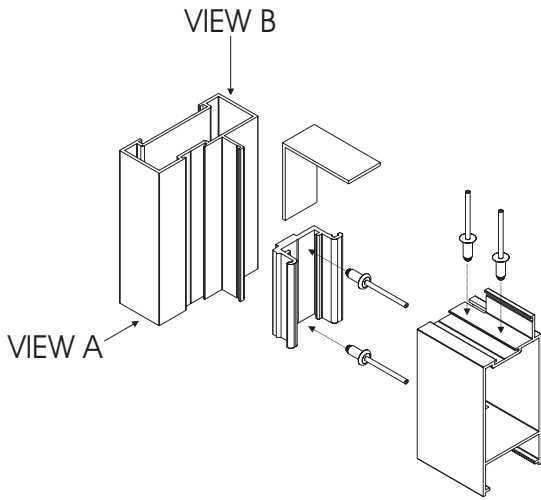
EXPLODED VIEW
 SHOWING MULLION
 AGAINST FRAME

CL02A

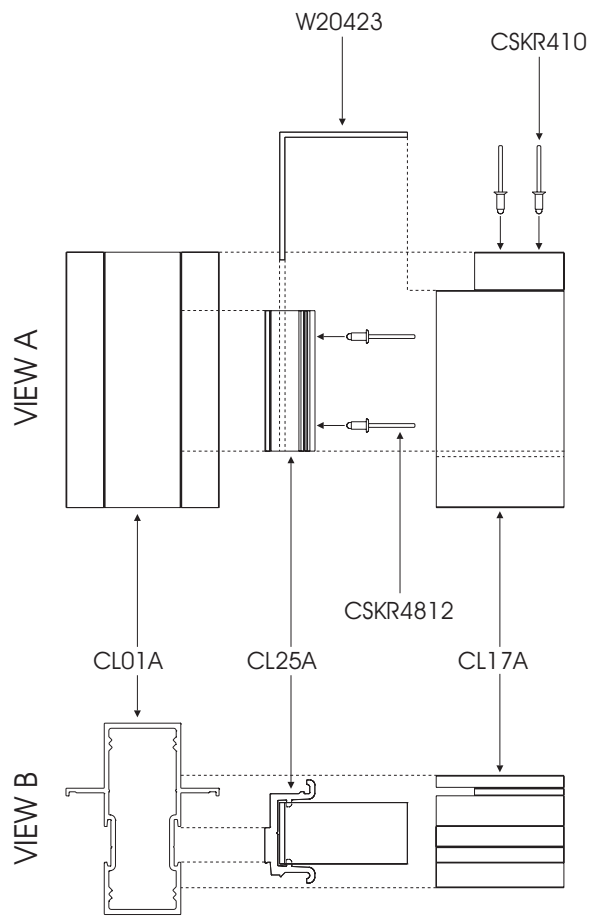
ISOMETRIC VIEW
 SHOWING MULLION
 AGAINST FRAME



SHEERFRONT CLIP 15 SYSTEM
 SPIGOT ASSEMBLY DETAIL
 R4 TO 26 AND 26B

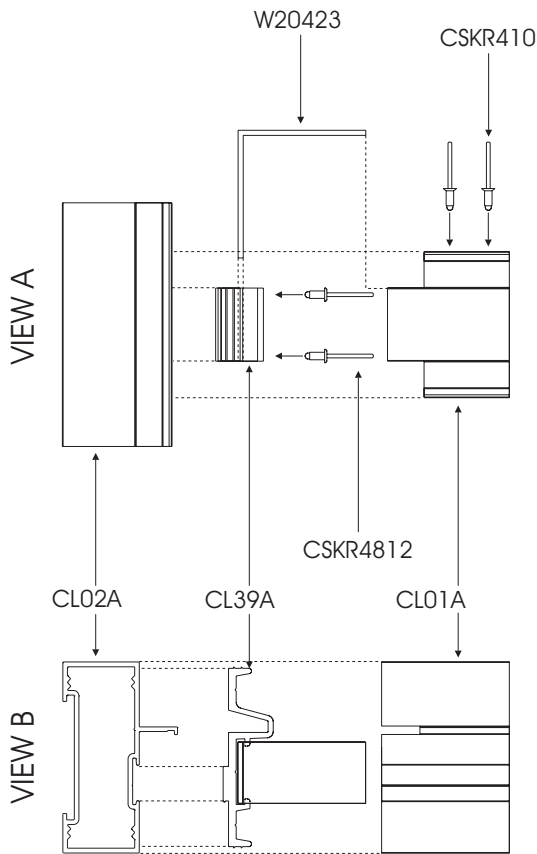
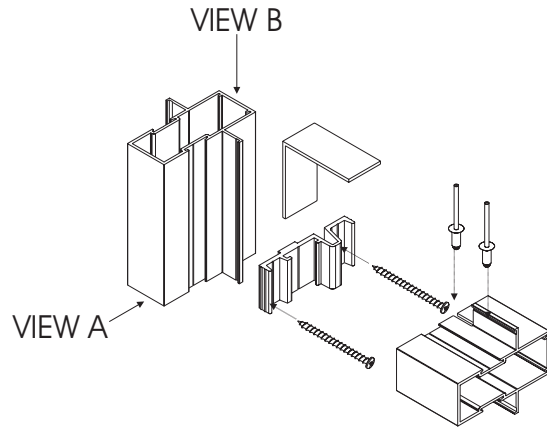
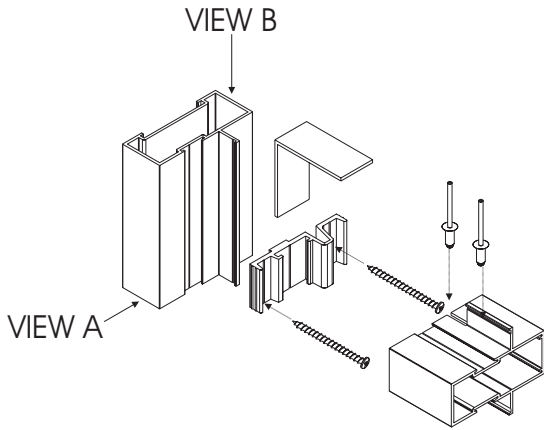


MATING OF 26B RECESSED BACK TO R4 SILL RAIL

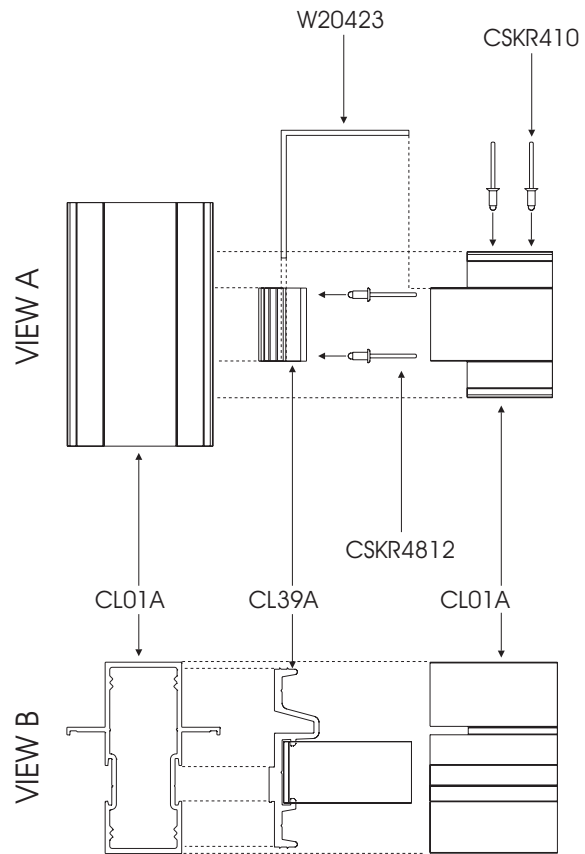


MATING OF 26 MULLION TO R4 SILL RAIL

SHEERFRONT CLIP 15 SYSTEM FRAME SPIGOT ASSEMBLY DETAIL 26 TO 26 AND 26B

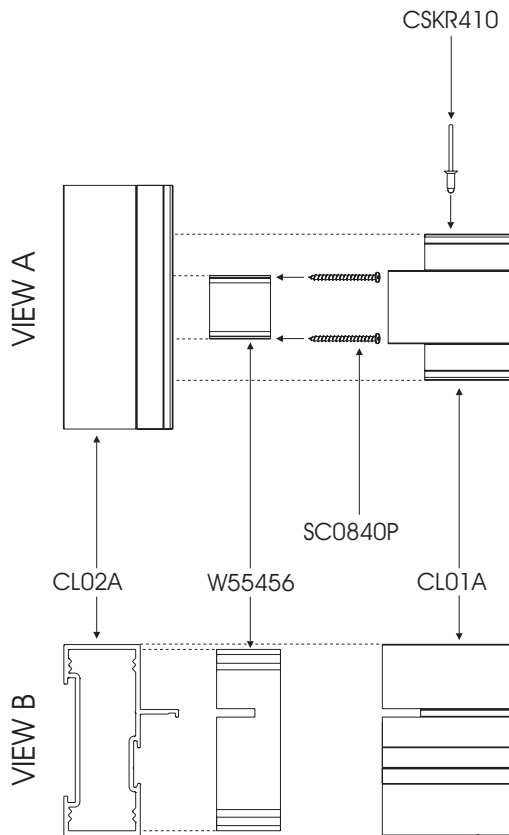
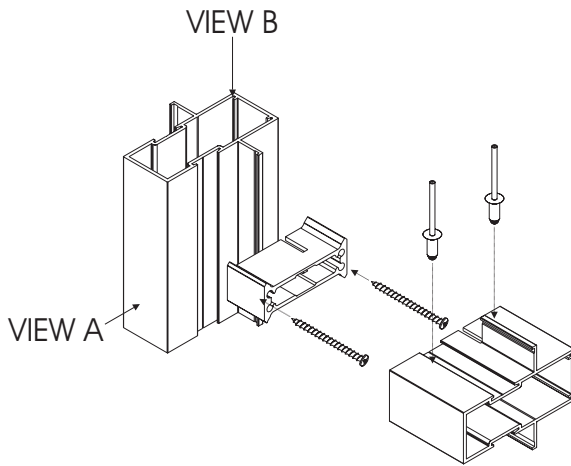
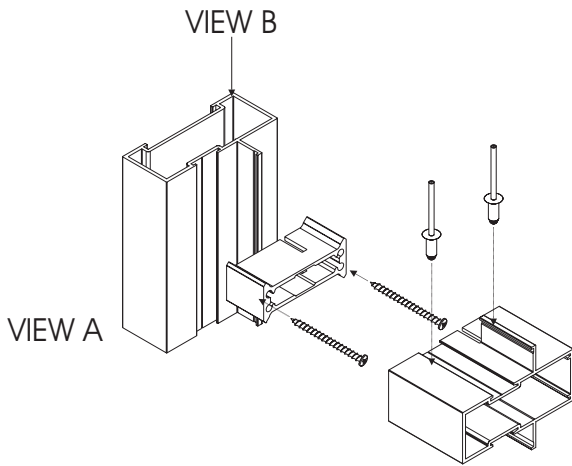


MATING OF 26B RECESSED BACK TO 26 MULLION

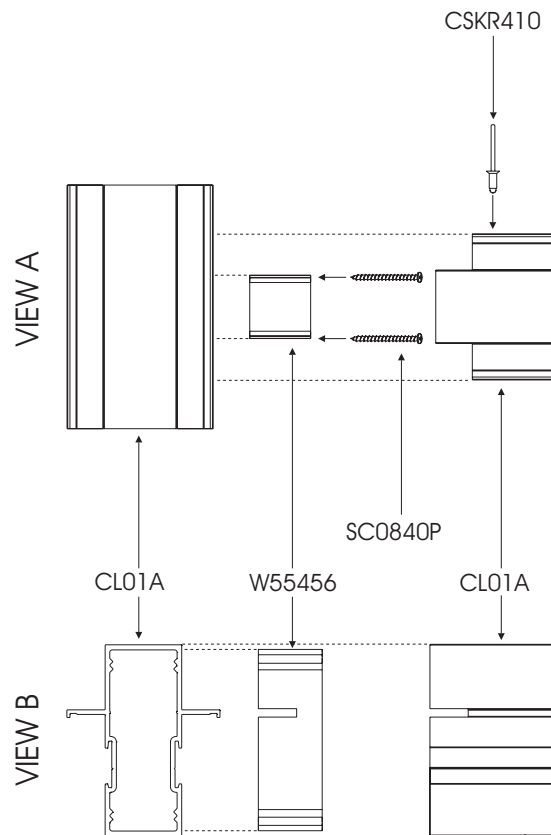


MATING OF 26 MULLION TO 26 MULLION

SHEERFRONT CLIP 15 SYSTEM BOX SPIGOT ASSEMBLY DETAIL 26 TO 26 AND 26B

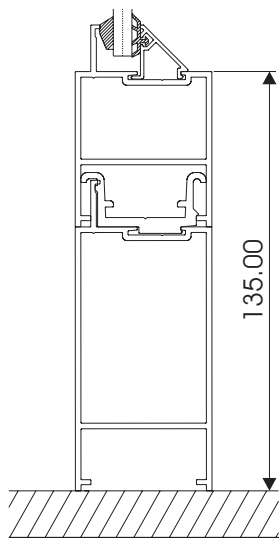


MATING OF 26B RECESSED BACK TO 26 MULLION

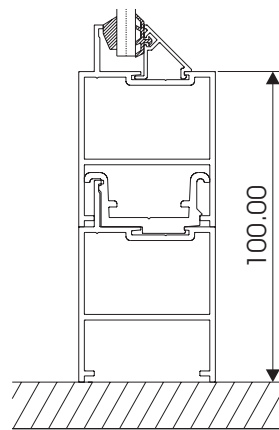


MATING OF 26 MULLION TO 26 MULLION

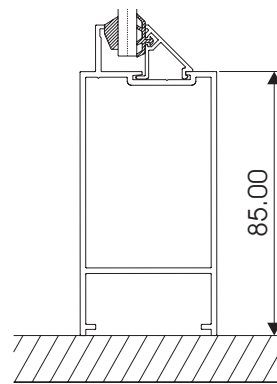
SHEERFRONT CLIP 15 SYSTEM SILL COMBINATIONS



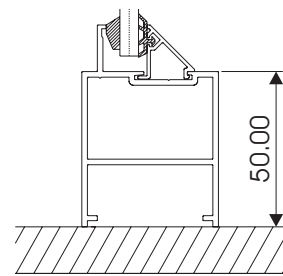
R7 + R4
(CL22A+CL17A)



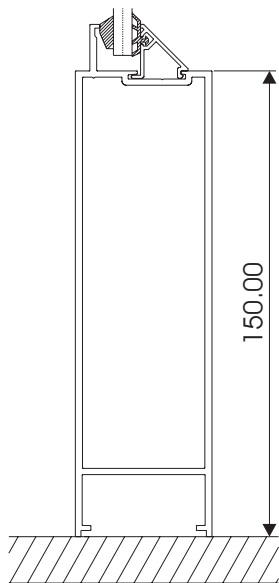
R7 + R7
(CL22A+CL22A)



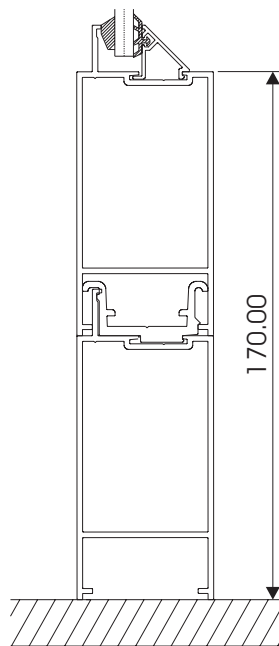
R4
(CL17A)



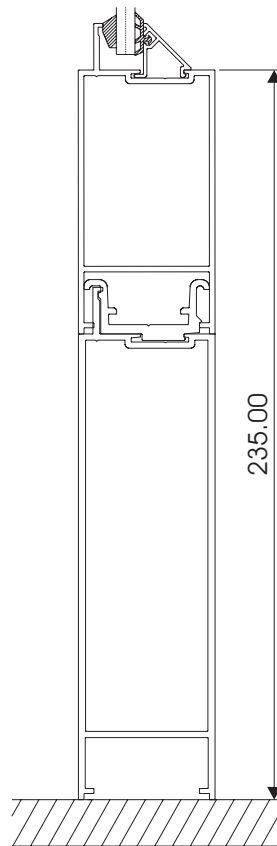
R7
(CL22A)



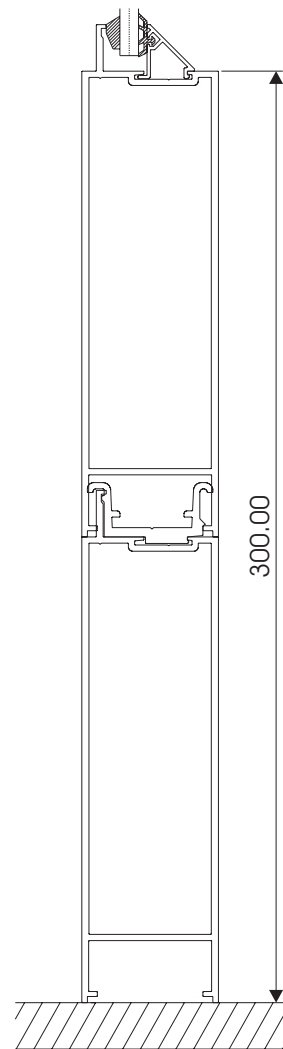
R6
(CL56A)



R4 + R4
(CL17A+CL17A)

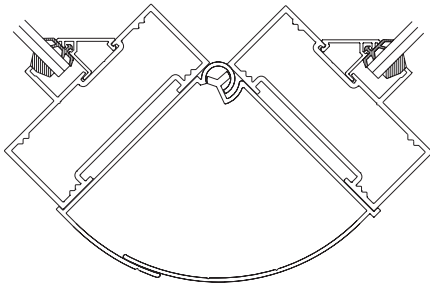


R4 + R6
(CL17A+CL56A)

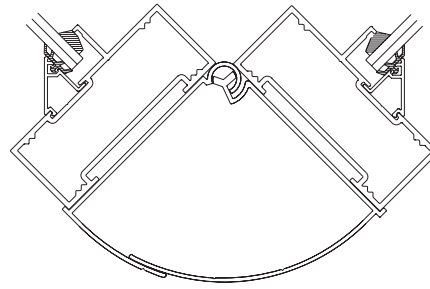


R6 + R6
(CL56A+CL56A)

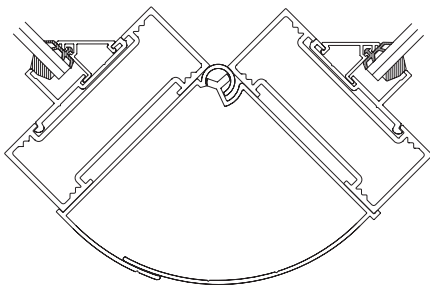
SHEERFRONT CLIP 15 SYSTEM CORNER POST OPTIONS



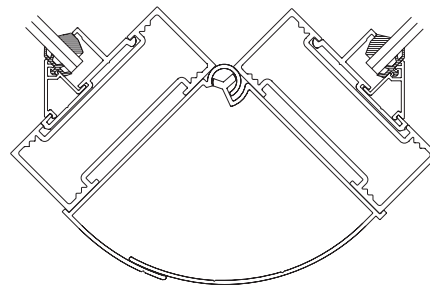
26B INWARD OPENING CORNER



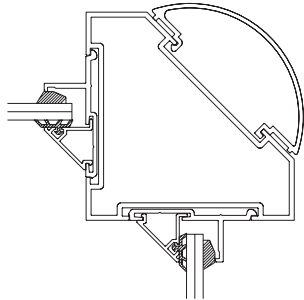
26B OUTWARD OPENING CORNER



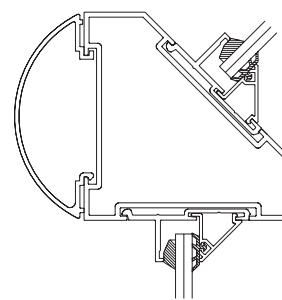
26D INWARD OPENING CORNER



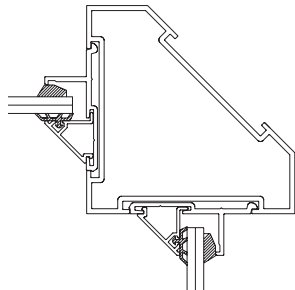
26D OUTWARD OPENING CORNER



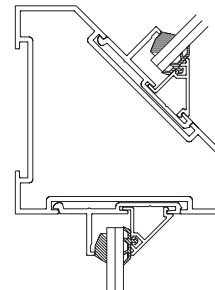
90° FIXED CORNER WITH COVER



45° FIXED CORNER WITH COVER



90° FIXED CORNER



45° FIXED CORNER