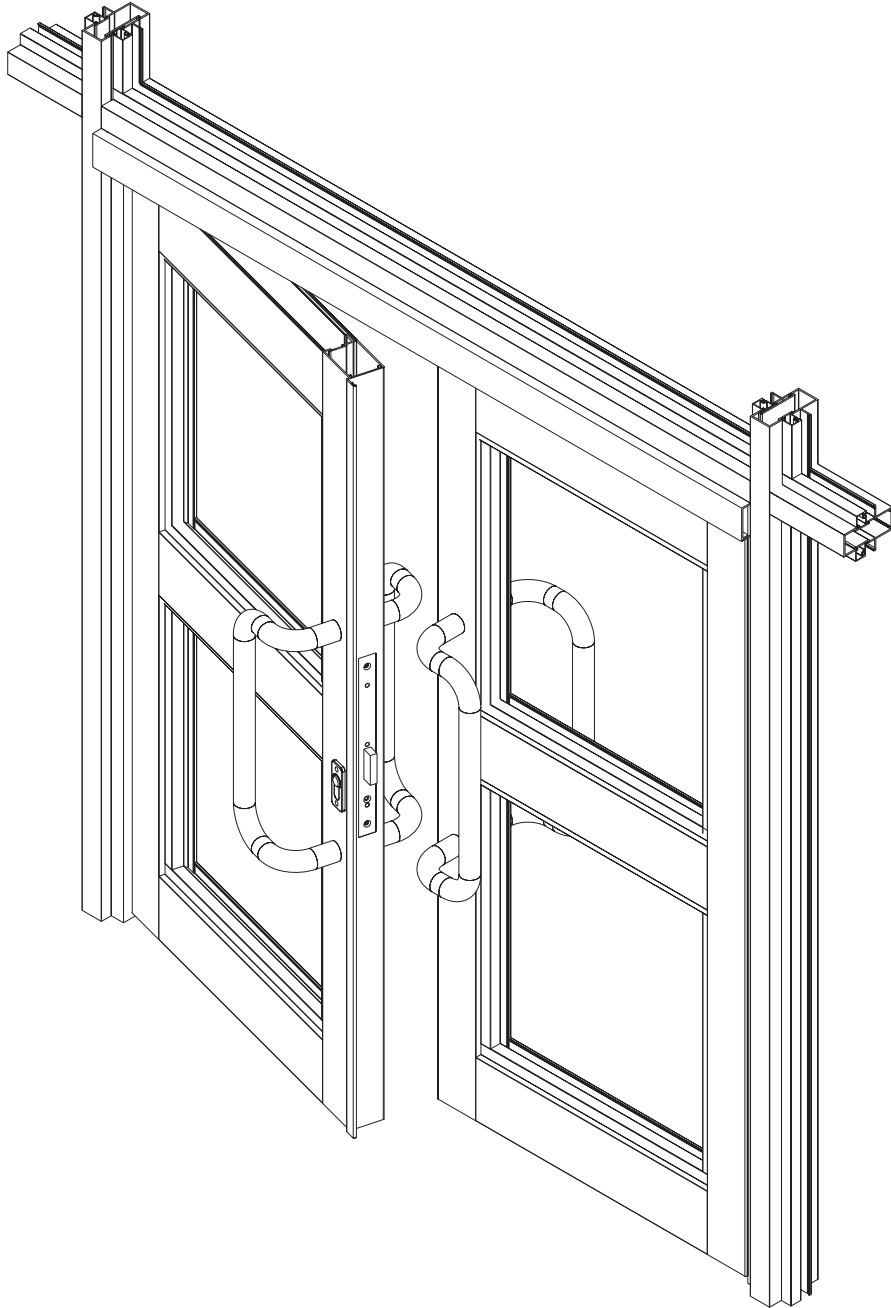




SHEERFRONT CLIP 15 SYSTEM OVERHEAD DOOR CLOSER DOORS



PRODUCT MANUAL

Disclaimer: The right to make alterations is reserved

© 2010 Sheerline, All Rights Reserved

Revision: 01/10/2010



LEGAL DISCLAIMER

All information, recommendations or advice contained in this documentation is given in good faith to the best of Sheerline's knowledge and is based on current procedures in effect.

Since the actual use of this documentation by the user is beyond the control of Sheerline, such use is within the exclusive responsibility of the user. Sheerline cannot be held responsible for any loss incurred through incorrect or faulty use of this documentation.

Great care has been taken to ensure that the information provided is correct. Sheerline will accept no responsibility for any errors and/or omissions, which may have inadvertently occurred.

All mechanical joints must be sealed with a Sheerline approved joint sealer.

Laminated glass must not stand in water.

All drawings in the Sheerline Documentation are shown NOT to scale.

Sheerline cannot accept responsibility for the use of standard products since Sheerline does not know where these products are being installed.

The use of anti-magnetic stainless steel screws and pop rivets is recommended to reduce galvanic corrosion in harsh environments.

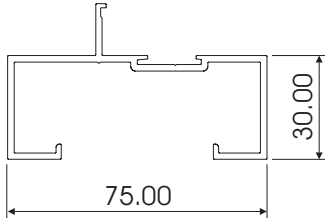
The hardware recommended in this documentation is suitable for use in most atmospheric environments. When hardware is used in severe coastal environments the manufacturer of the hardware must be consulted.

Fixing lugs on frames must be positioned as per the user manual and used in accordance to the AAAMSA specifications. When profiles are screwed together the screw centers must also be according to the user manual.

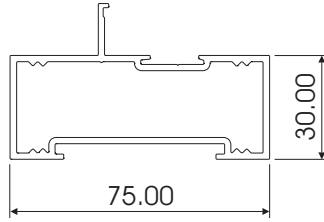
All glass used within Sheerline products must comply with SAGGA regulations.

By continuing to use this documentation you acknowledge that you understand and accept the legal disclaimer.

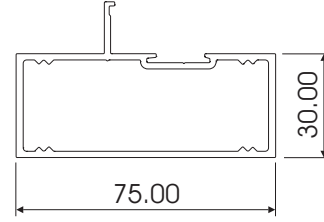
SHEERFRONT CLIP 15 SYSTEM PROFILE IDENTIFICATION



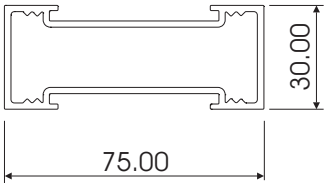
CLIP44 26C JAMB
OPEN BACK
CL03A



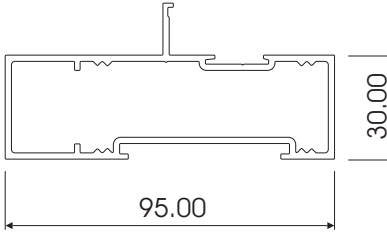
CLIP44 26B
RECESSED BACK
CL02A



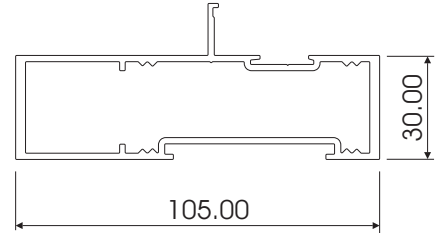
CLIP44 26E
FLAT BACK
CL49A



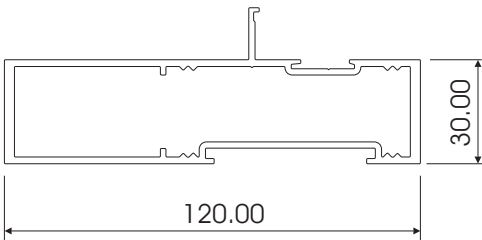
CLIP44 26D
RECESSED BACK
CL47A



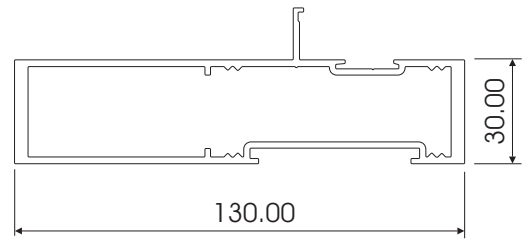
CLIP44 95B
RECESSED BACK
CL200



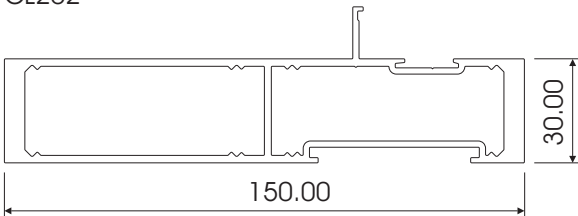
CLIP44 105B
RECESSED BACK
CL201



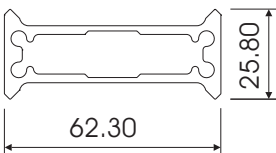
CLIP44 120B
RECESSED BACK
CL202



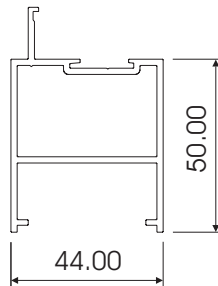
CLIP44 130B
RECESSED BACK
CL217



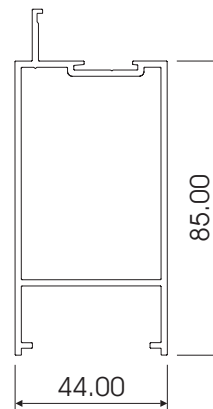
CLIP44 150B
RECESSED BACK
CL203



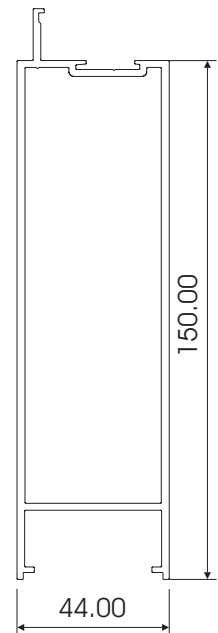
CLIP44 BOX SPIGOT
4 X S/PORT
W55456



CLIP44 R7 HEAD/
SILL RAIL 50mm
CL22A

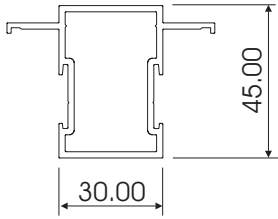


CLIP44 R4 HEAD/
SILL RAIL 85mm
CL17A

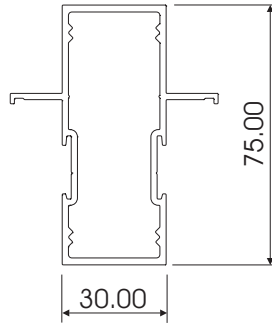


CLIP44 R6 SILL
RAIL 150mm
CL56A

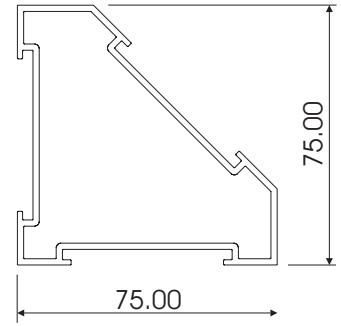
SHEERFRONT CLIP 15 SYSTEM PROFILE IDENTIFICATION



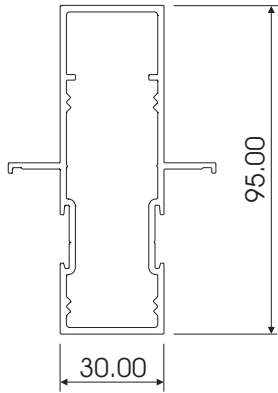
CLIP44 GLAZING BAR
CL72A



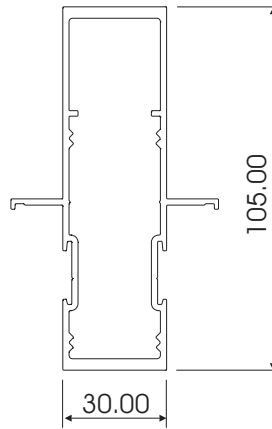
CLIP44 26 MULLION
CL01A



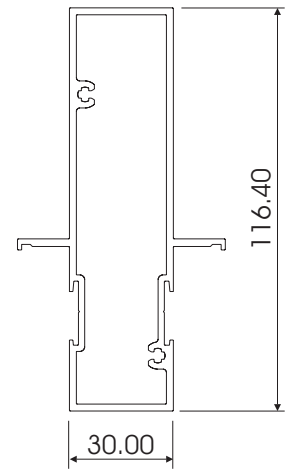
CLIP44 CORNER MULLION
CL08A



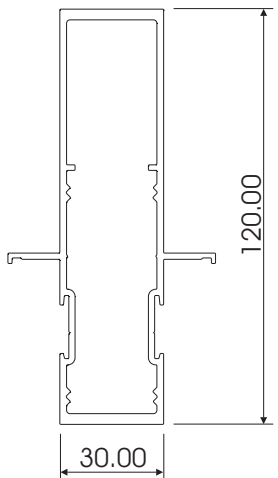
CLIP44 MULLION W95
CL215



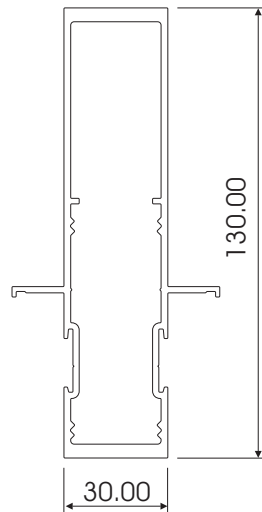
CLIP44 MULLION W105
CL216



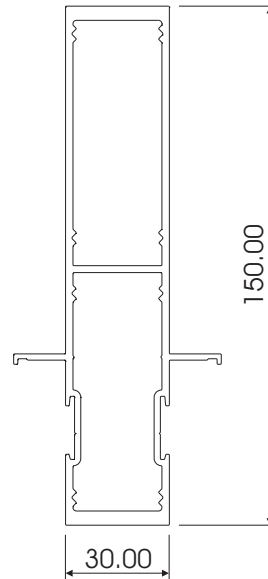
CLIP44 MULLION 116.4mm
CL219



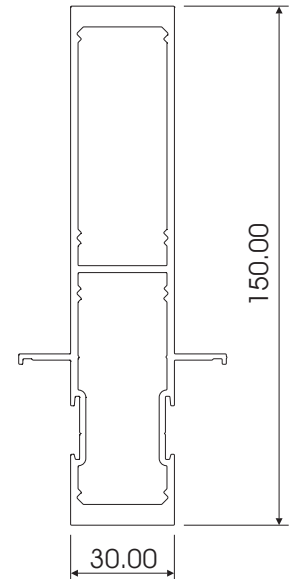
CLIP44 MULLION W120
CL06A



CLIP44 MULLION W130
CL226

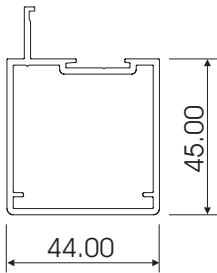


CLIP44 W150 MULLION
CL07A

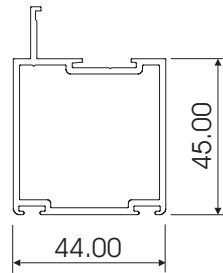


CLIP44 150mm MULLION
HEAVY DUTY
CL204

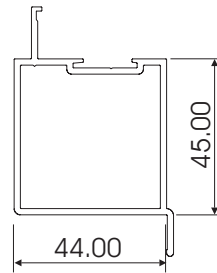
SHEERFRONT CLIP 15 SYSTEM PROFILE IDENTIFICATION



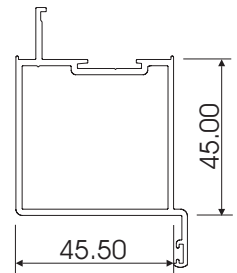
CLIP44 R1
DOOR JAMB
CL15A



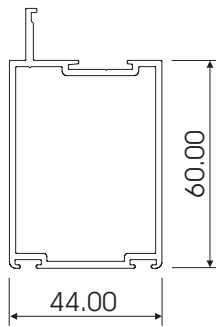
CLIP44 R3 SPECIAL
DOOR JAMB
CL16A



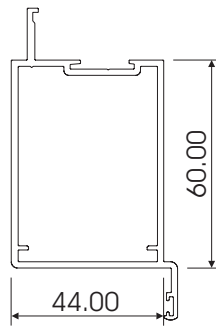
CLIP44 R12 DOUBLE
DOOR JAMB
CL214



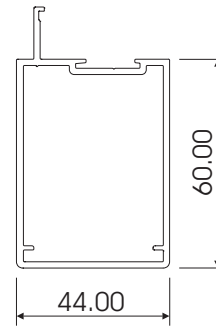
CLIP44 R12 SPECIAL
CL42A



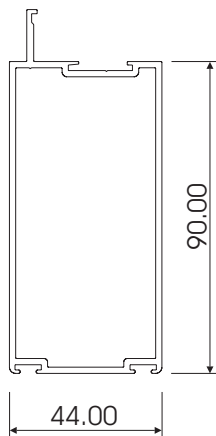
CLIP44 R11W
D/STILE 60mm W/PILE
CL221



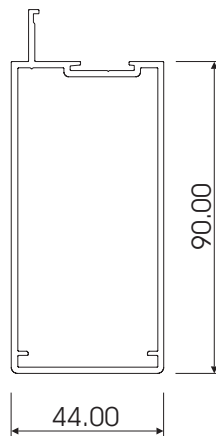
CLIP44 R11SP
D/STILE 60mm
CL227



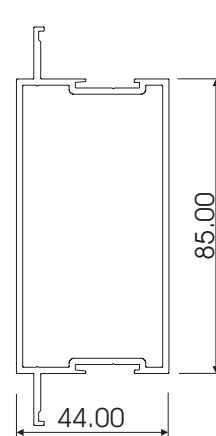
CLIP44 R11
DOOR JAMB
CL218



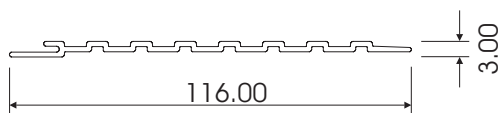
CLIP44 R9W
D/STILE 90mm W/PILE
CL51A



CLIP44 R9
D/STILE 90mm
CL52A

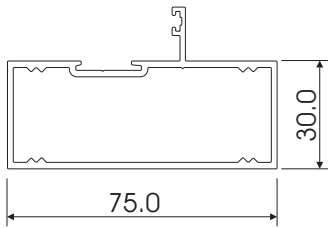


CLIP44 R4-SPECIAL
MID RAIL 85mm
CL18A

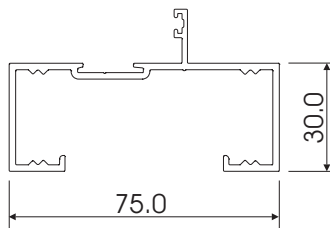


CLIP44 R19 SPECIAL CLADDING
W27934

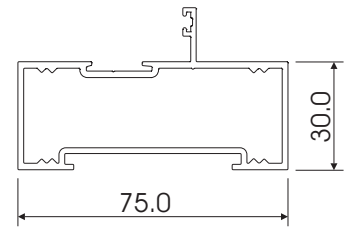
SHEERFRONT CLIP 15 SYSTEM ALTERNATE WOOLPILE PROFILES



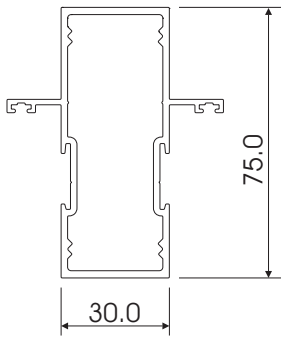
CLIP44 FLAT
BACK WOOLPILE
CL49GW



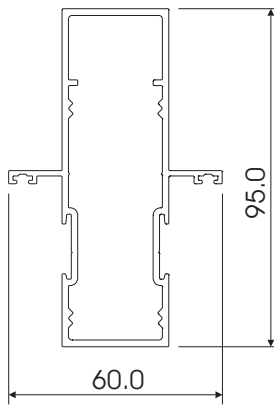
CLIP44 JAMB
OPEN BACK WOOLPILE
CL03GW



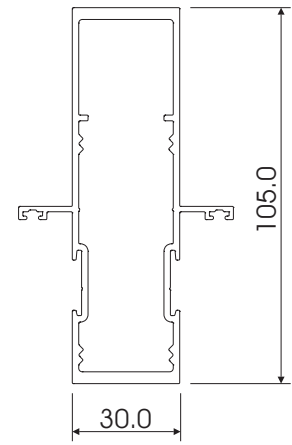
CLIP 44 RECESSED
BACK WOOLPILE
CL02GW



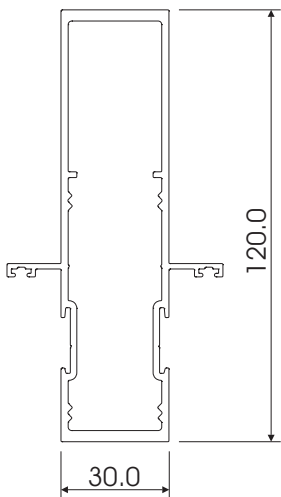
CLIP44 MULLION
WOOLPILE
CL01GW



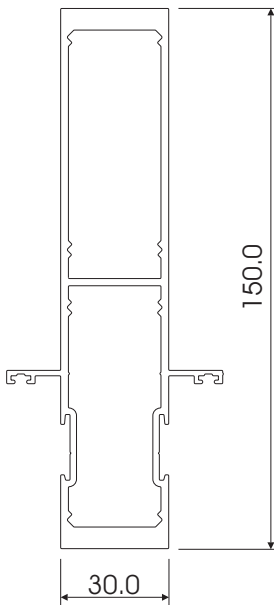
CLIP44 W95 MULLION
WOOLPILE
W56015



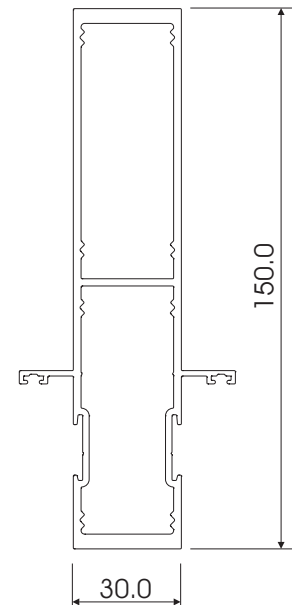
CLIP44 W105 MULLION
WOOLPILE
W56014



CLIP44 W150 MULLION
WOOLPILE
CL06GW



CLIP44 150mm MULLION
WOOLPILE HEAVY DUTY
W56012

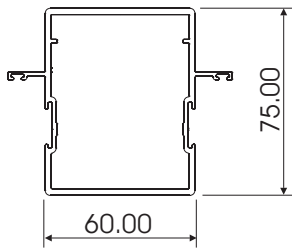


CLIP44 W150 MULLION
WOOLPILE
CL07GW

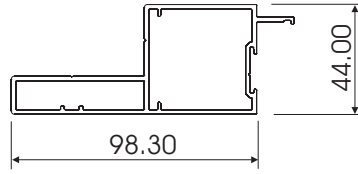
SHEERFRONT CLIP 15 SYSTEM

PROFILE IDENTIFICATION

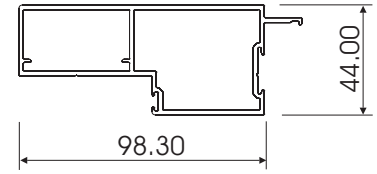
ADDITIONAL DOOR STILES



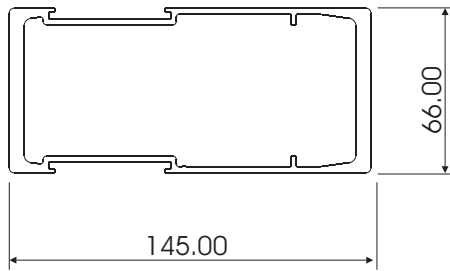
MID-TRANSOME RAIL
60MM WP
CL103G



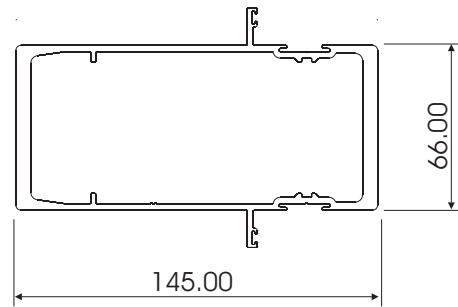
MAGLOCK DOUBLE
DOOR STILE OPENING DOOR
CL95



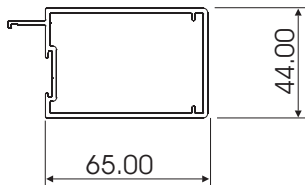
MAGLOCK DOUBLE
DOOR STILE FIXED DOOR
CL94



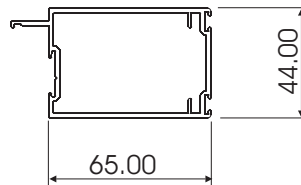
MULLION-TRANSOM
145x66 RECESSED
CL76A



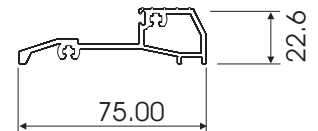
MULLION-TRANSOM
145x66 DOUBLE LIP WP
CL76G



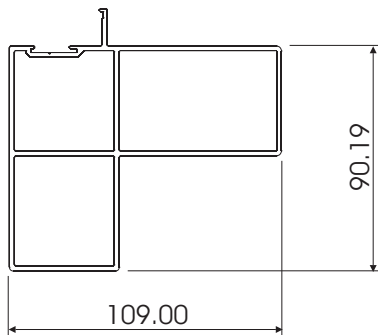
DOOR STILE 65MM
CL28



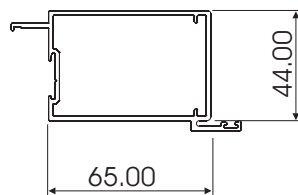
DOOR STILE 65MM
WOOLPILE
CL65L



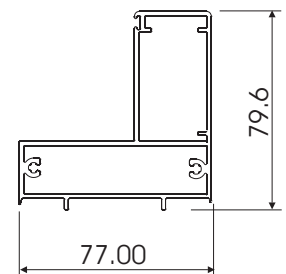
THRESHOLD WITH
SEAL
CL69



MAG LOCK
CL73

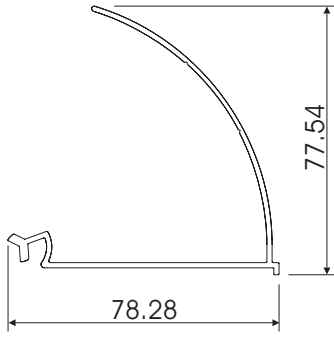


DOOR STILE 65MM
CL61L

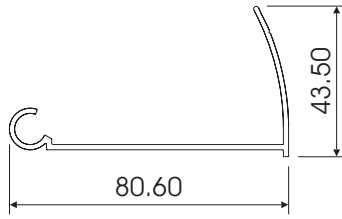


LOCK STILE
CL64

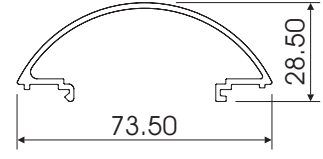
SHEERFRONT CLIP 15 SYSTEM PROFILE IDENTIFICATION



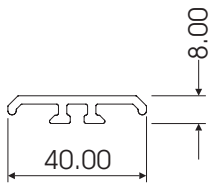
CLIP44 CORNER
MULLION 1
CL105



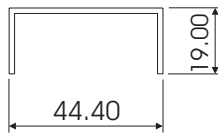
CLIP44 CORNER
MULLION 2
CL106



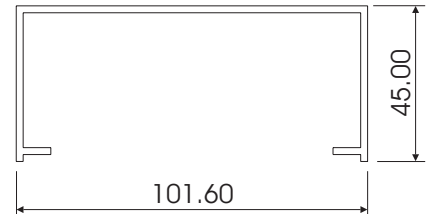
CLIP44 CURVED CLIP
HAND RAIL
CL50A



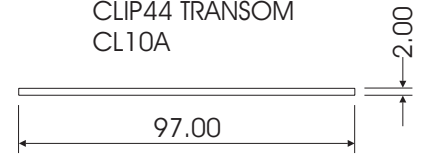
COLONIAL BAR
W29247



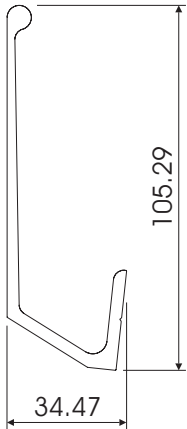
CLIP44 COMPENSATING
CHANNEL
W23224



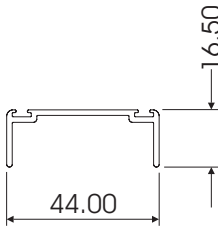
CLIP44 TRANSOM
CL10A



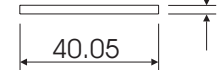
CLIP44 TRANSOM COVER
W25029



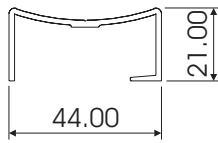
CLIP44 UNIVERSAL
DOOR HANDLE
CL37



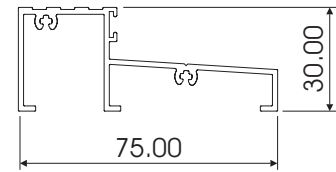
CLIP44 PIVOT DOOR
HEAD ADAPTOR
CL44A



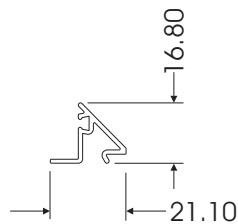
CLIP44 40mm
COVER PLATE
W25025



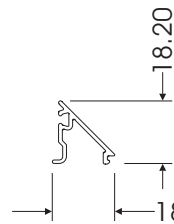
CLIP44 DOOR END
STYLE FOR PIVOT
CL24A



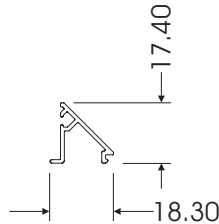
CLIP44 THRESHOLD
W30289



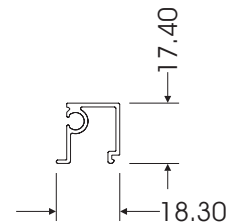
CLIP44 ANGLED
GLAZING BEAD
CL225



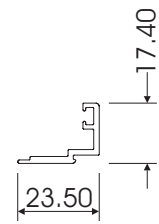
NEW CLIP44 ANGLED
GLAZING BEAD
W31142



CLIP44 ANGLED
GLAZING BEAD
CL13

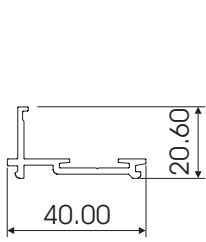


CLIP44 SQUARE
GLAZING BEAD
CL14A

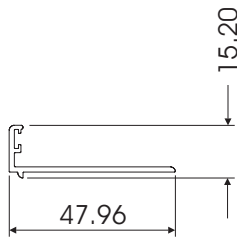


CLIP44 DOUBLE
GLAZING BEAD
CL66A

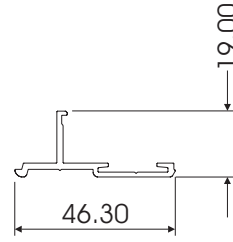
SHEERFRONT CLIP 15 SYSTEM PROFILE IDENTIFICATION



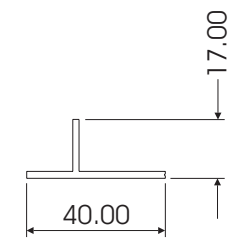
CLIP44 R4 FILLER
ADAPTOR
CL19A



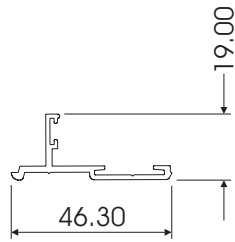
CLIP44 ASTRAGAL
WITH WOOLPILE
CL206



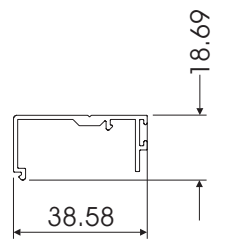
CLIP44 GLAZING
ADAPTOR
CL72A



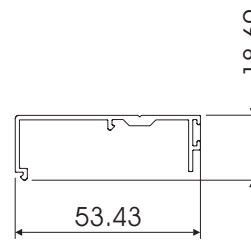
CLIP44 R4 SILL
END FILLER
CL20A



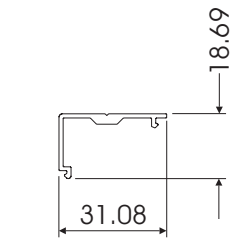
CLIP44 DOOR ADAPTOR
CL12CA



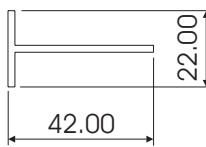
CLIP44 DOOR
ADAPTOR FOR W105
CL209



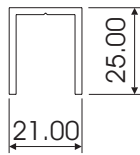
CLIP44 DOOR
ADAPTOR FOR W120
CL210



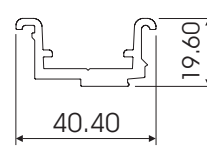
CLIP44 DOOR
ADAPTOR FOR W95
CL211



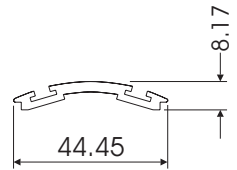
CLIP44 SLIDING DOOR
STOP ASTRAGAL
CL35A



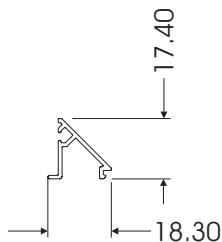
CLIP44 CHANNEL
SPIGOT
CH05



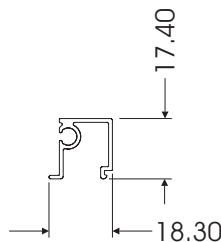
CLIP44 SPIGOT
CL25A



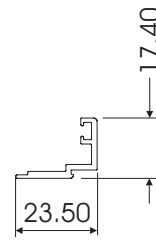
CLIP44 SILL ADAPTOR
CL104



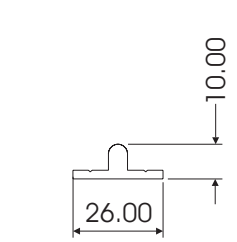
CLIP44 ANGLED
GLAZING BEAD
CL13



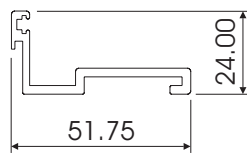
CLIP44 SQUARE
GLAZING BEAD
CL14A



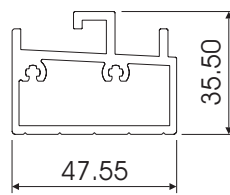
CLIP44 DOUBLE
GLAZING BEAD
CL66A



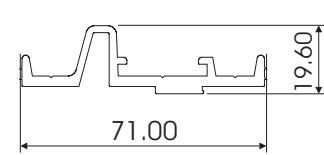
CLIP44 FLOOR
TRACK
CL34W



CLIP44 DRAINAGE
SILL ADAPTOR

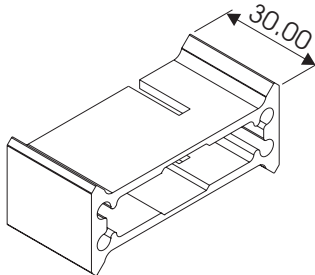


CLIP44 DRAINAGE SILL
CL220

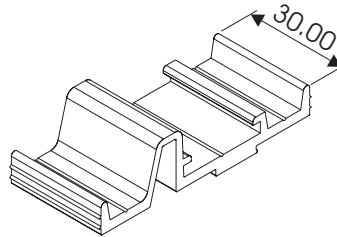


CLIP44 FRAME SPIGOT
CL39A

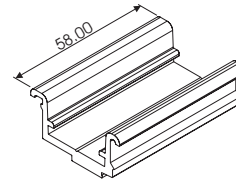
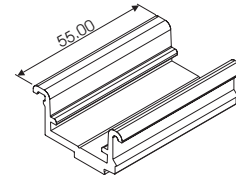
SHEERFRONT CLIP 15 SYSTEM
 OVERHEAD DOOR CLOSER
 DOOR INSERT
 HARDWARE IDENTIFICATION



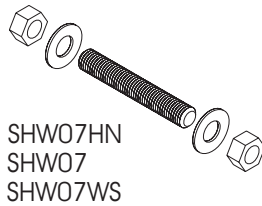
BOX SPIGOT 4 X S/PORT
 CL40W



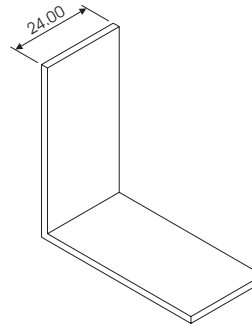
FRAME SPIGOT
 CL39A



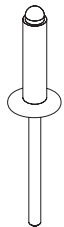
SPIGOT
 CL25A



SHW07HN
 SHW07
 SHW07WS



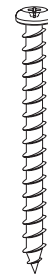
EQUAL ANGLE 50.0 x 50.0 x 2.0
 W20435



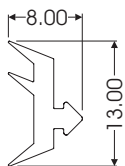
4x10 C/SUNK
 RIVET
 CSKR410



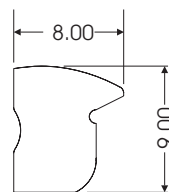
POP RIVET
 4.8x12mm
 CSKR4812



8x40 P/HEAD POSI
 S/S SCREW
 SC0840P

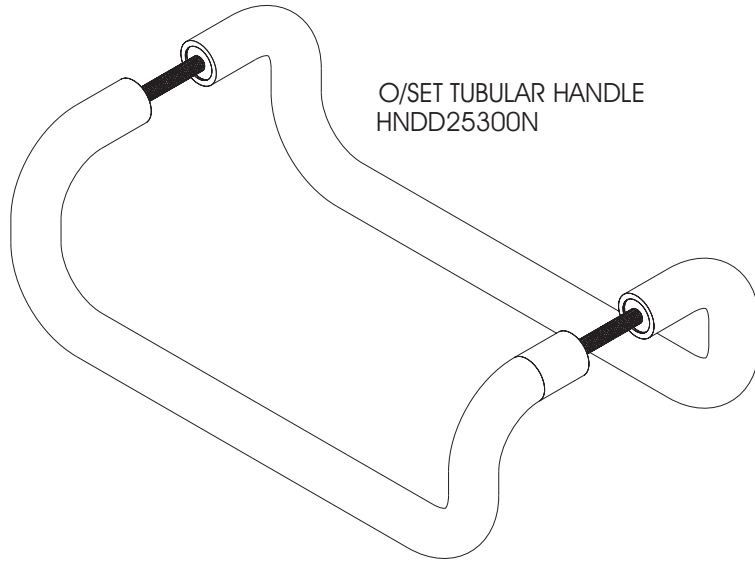


BUTTERFLY H13
 CLPIV4FG

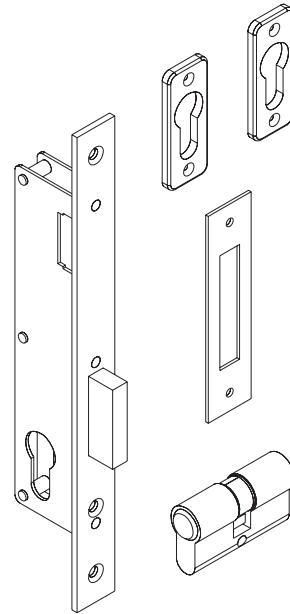


WEDGE H2
 CLRIV65FG

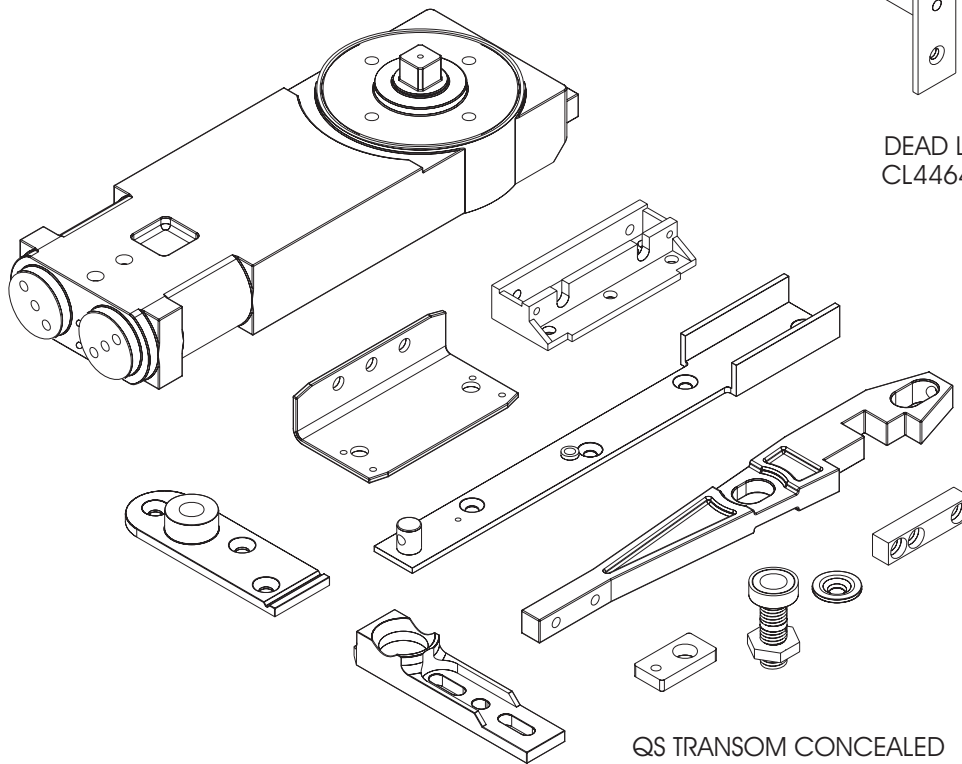
SHEERFRONT CLIP 15 SYSTEM
OVERHEAD DOOR CLOSER
DOOR INSERT
HARDWARE IDENTIFICATION



O/SET TUBULAR HANDLE
HNDD25300N

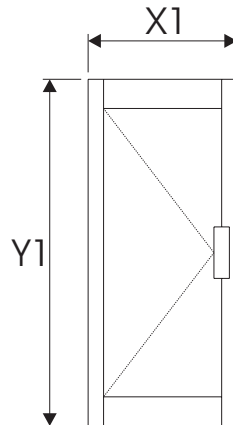


DEAD LOCK 25mm
CL44640/25



QS TRANSOM CONCEALED
DOOR CLOSER
CC900

SHEERFRONT CLIP 15 SYSTEM
OVERHEAD DOOR CLOSER
DOOR LEAF SIZE LIMITATION GUIDE



WHEN USING 45mm DOOR JAMB (EG. CL15A - R1 DOOR JAMB)

MAXIMUM DOOR LEAF WIDTH: $X1 = 1000\text{mm}$
MAXIMUM DOOR LEAF HEIGHT: $Y1 = 2200\text{mm}$

WHEN USING 60mm DOOR JAMB (EG. CL221 - R11W DOOR JAMB)

MAXIMUM DOOR LEAF WIDTH: $X1 = 1100\text{mm}$
MAXIMUM DOOR LEAF HEIGHT: $Y1 = 2400\text{mm}$

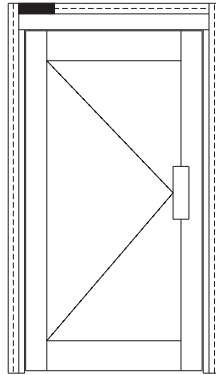
WHEN USING 90mm DOOR JAMB (EG. CL51A - R9W DOOR JAMB)

MAXIMUM DOOR LEAF WIDTH: $X1 = 1200\text{mm}$
MAXIMUM DOOR LEAF HEIGHT: $Y1 = 2600\text{mm}$

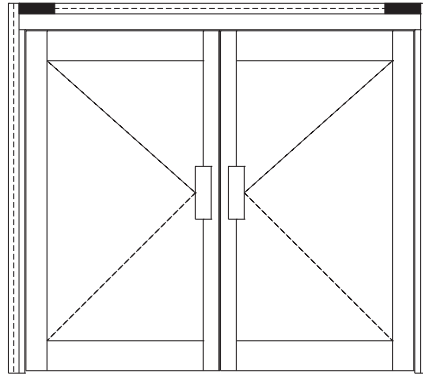
SHEERFRONT CLIP 15 SYSTEM OVERHEAD DOOR CLOSER DOOR TYPICAL CONFIGURATIONS



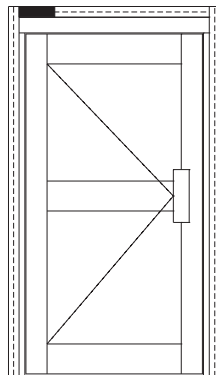
SINGLE OVERHEAD DOOR
CLOSER DOOR



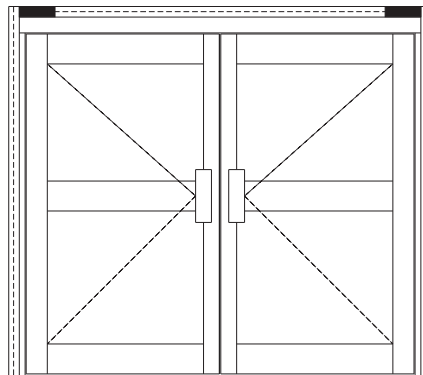
DOUBLE OVERHEAD DOOR
CLOSER DOOR



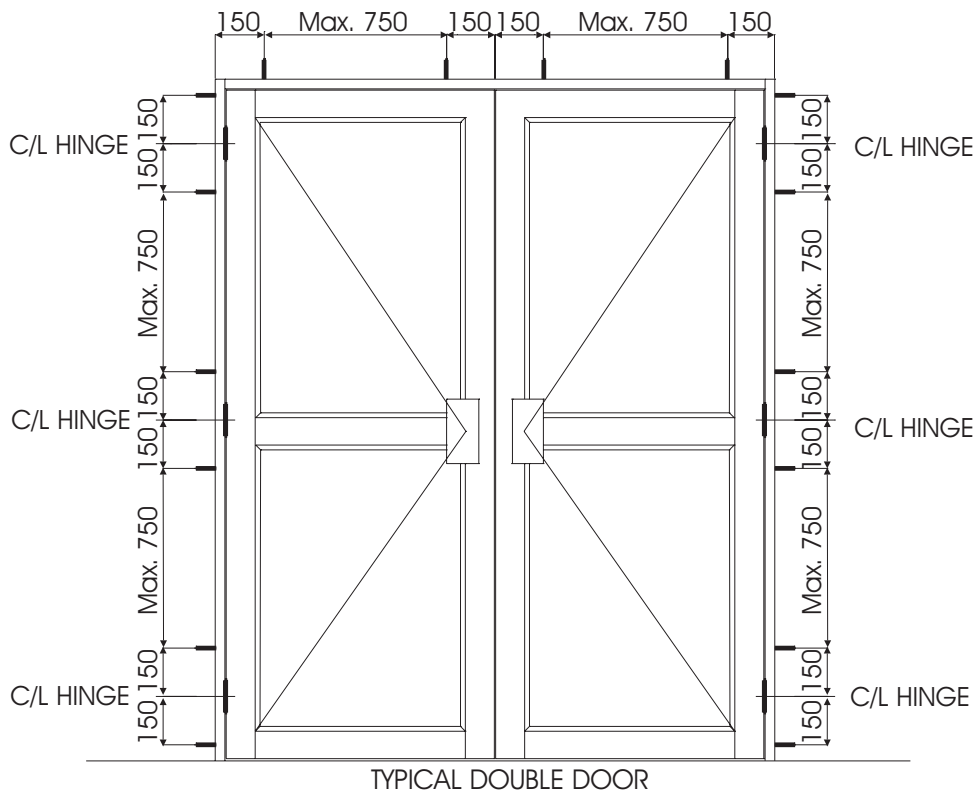
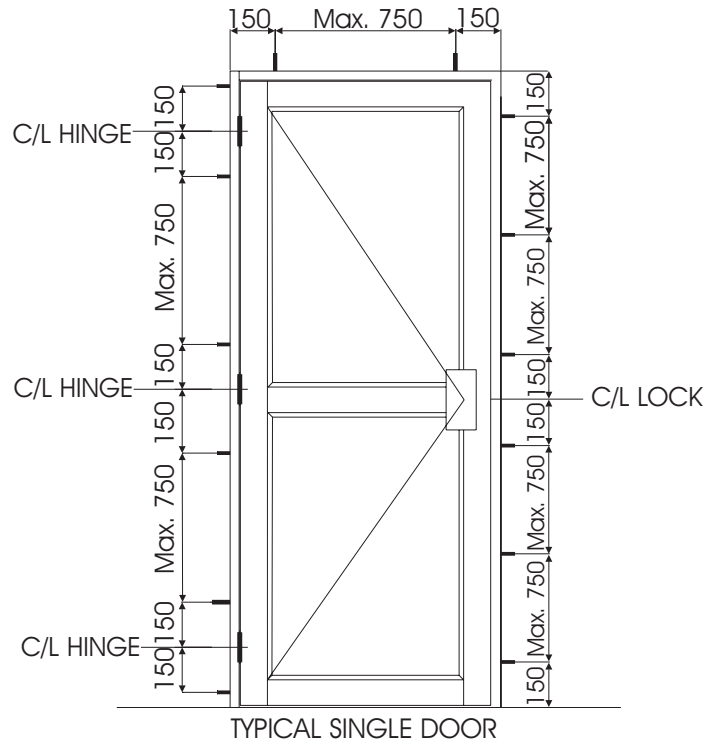
SINGLE OVERHEAD DOOR
CLOSER DOOR WITH MIDRAIL



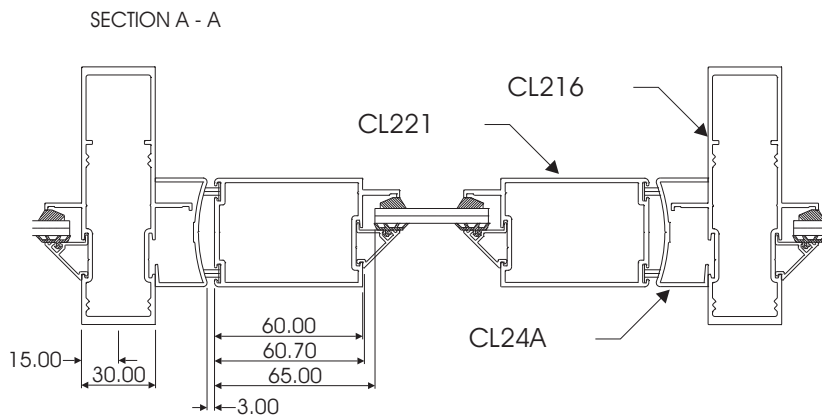
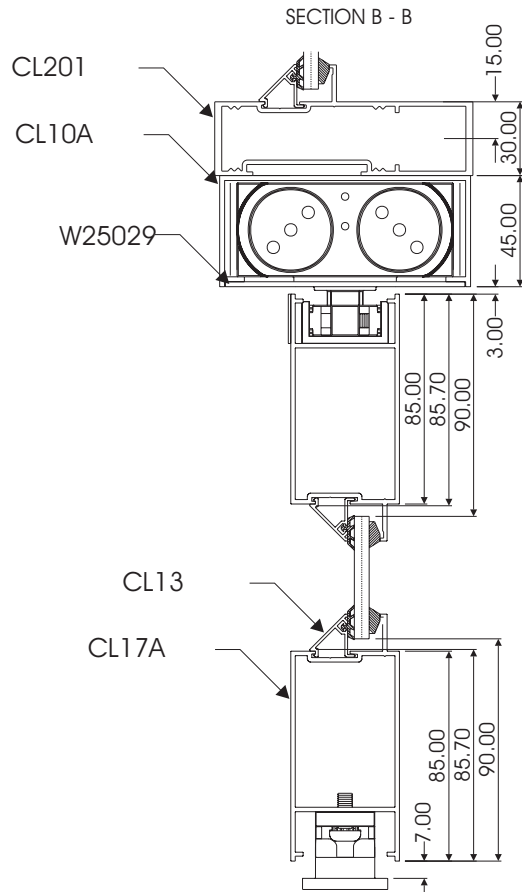
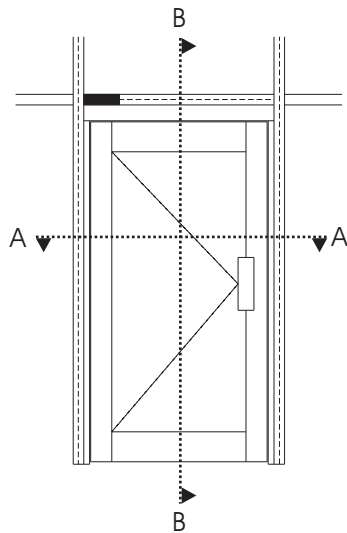
DOUBLE OVERHEAD DOOR
CLOSER DOOR WITH MIDRAIL



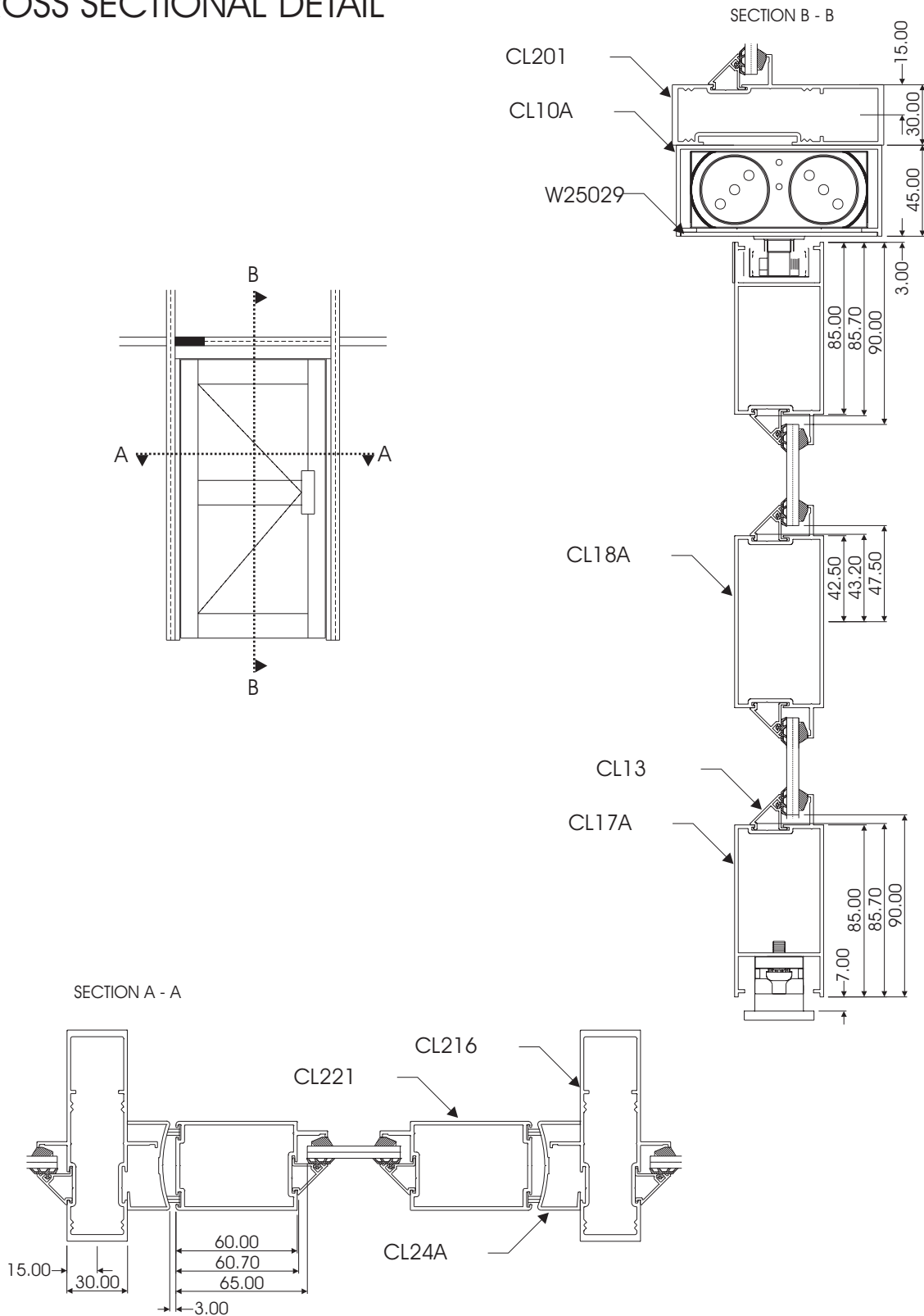
SHEERFRONT CLIP 15 SYSTEM
 OVERHEAD DOOR CLOSER
 DOOR FIXING DETAILS



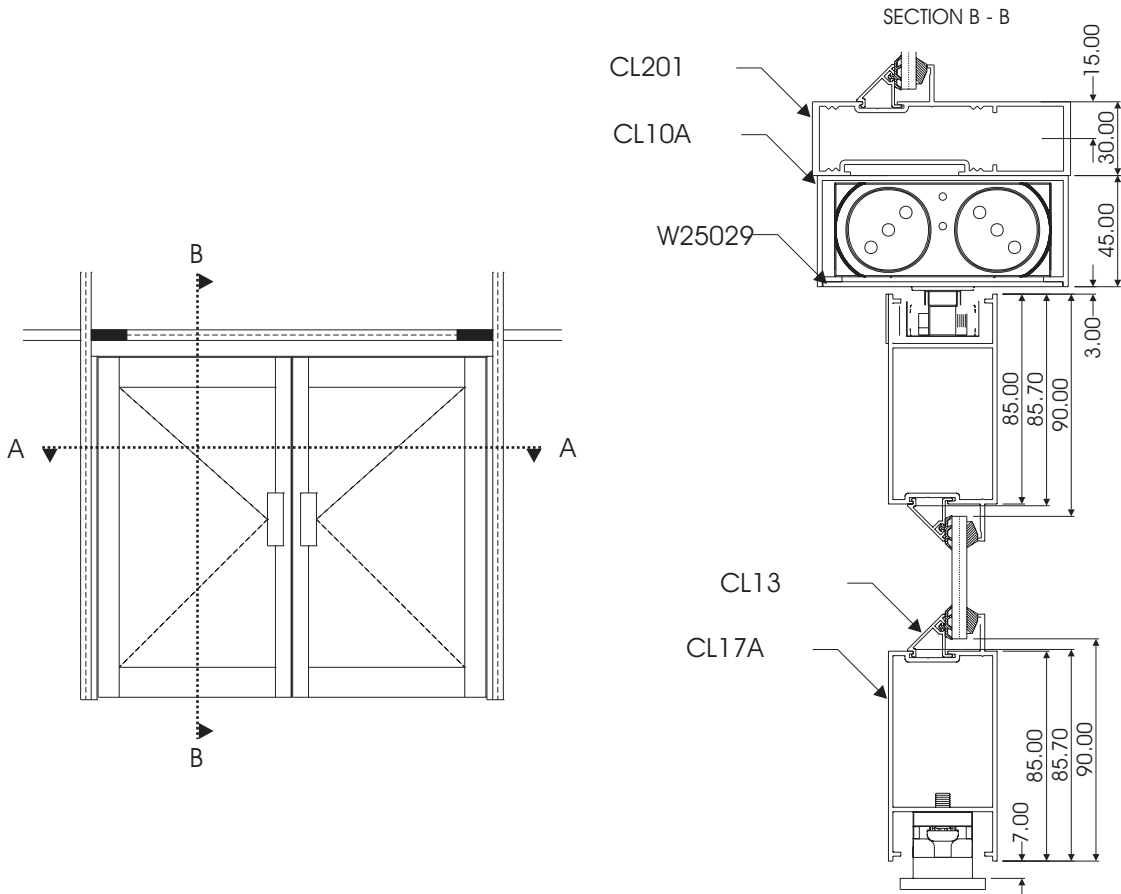
SHEERFRONT CLIP 15 SYSTEM
 SINGLE OVERHEAD DOOR
 CLOSER DOOR
 CROSS SECTIONAL DETAIL



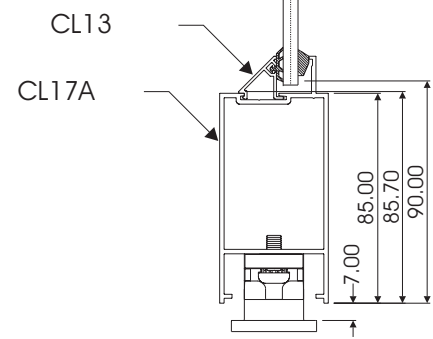
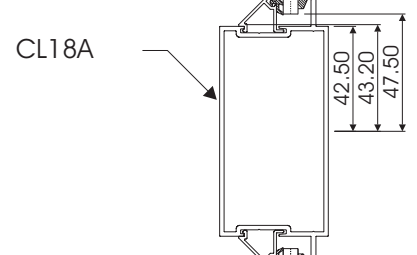
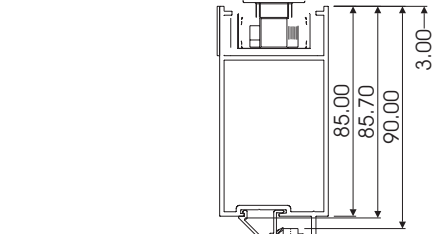
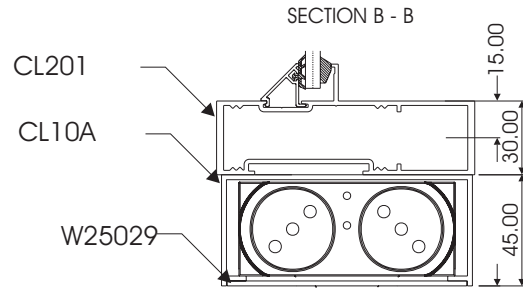
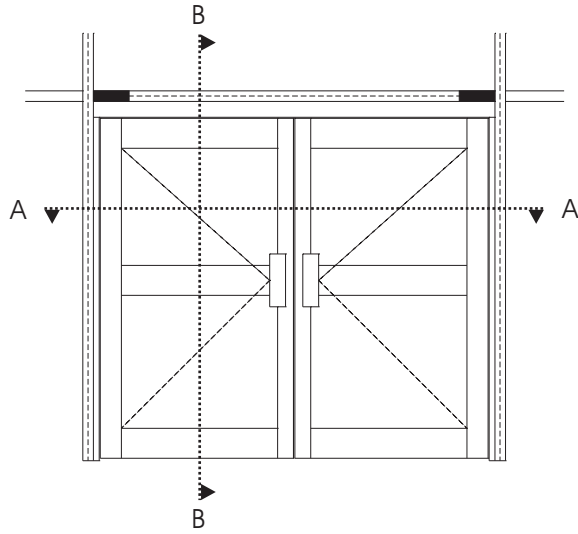
SHEERFRONT CLIP 15 SYSTEM SINGLE OVERHEAD DOOR CLOSER DOOR WITH MIDRAIL CROSS SECTIONAL DETAIL



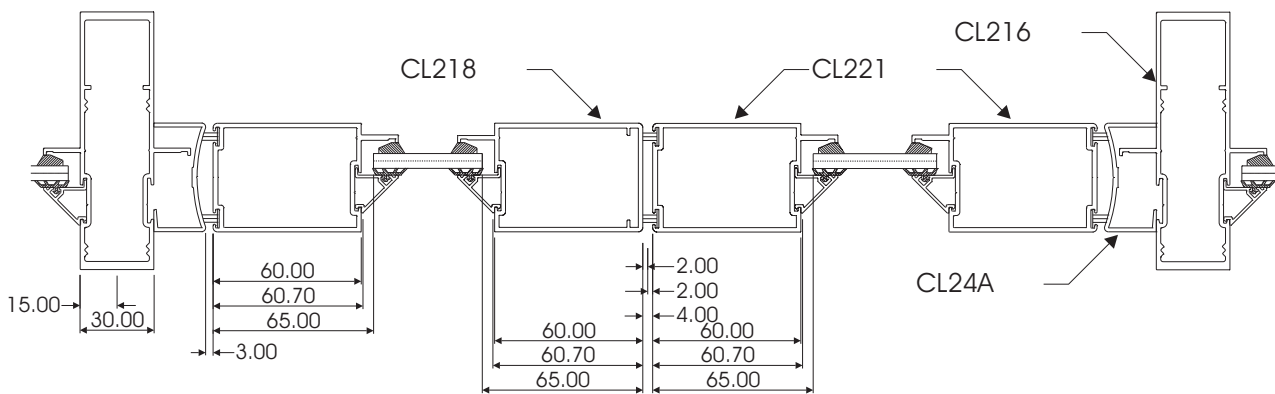
SHEERFRONT CLIP 15 SYSTEM DOUBLE OVERHEAD DOOR CLOSER DOOR CROSS SECTIONAL DETAIL



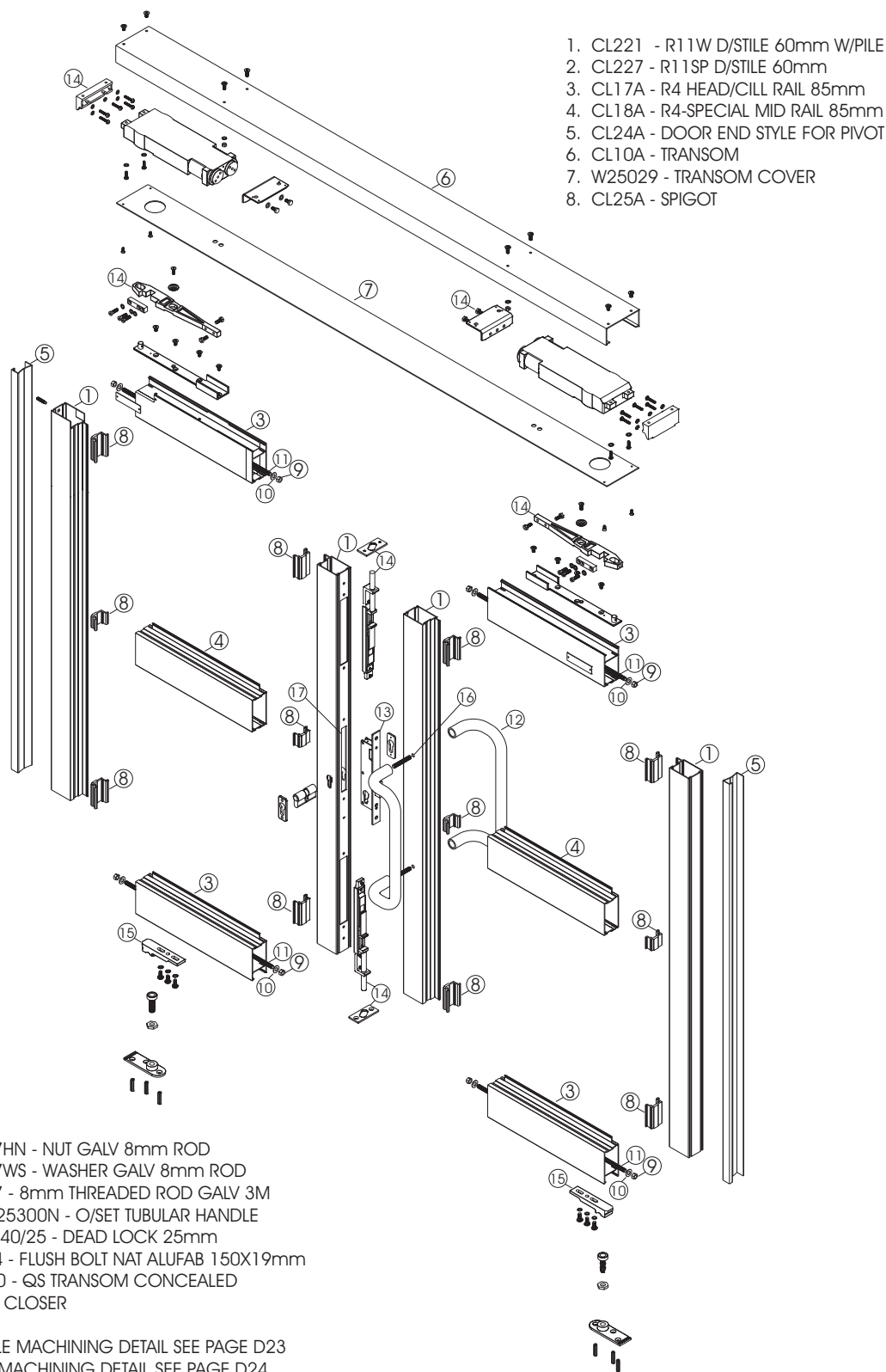
SHEERFRONT CLIP 15 SYSTEM
 DOUBLE OVERHEAD DOOR
 CLOSER DOOR WITH MIDRAIL
 CROSS SECTIONAL DETAIL



SECTION A - A



SHEERFRONT CLIP 15 SYSTEM OVERHEAD DOOR CLOSER DOOR COMPONENT ASSEMBLY DETAIL



- 1. CL221 - R11W D/STILE 60mm W/PILE
- 2. CL227 - R11SP D/STILE 60mm
- 3. CL17A - R4 HEAD/CILL RAIL 85mm
- 4. CL18A - R4-SPECIAL MID RAIL 85mm
- 5. CL24A - DOOR END STYLE FOR PIVOT
- 6. CL10A - TRANSOM
- 7. W25029 - TRANSOM COVER
- 8. CL25A - SPIGOT

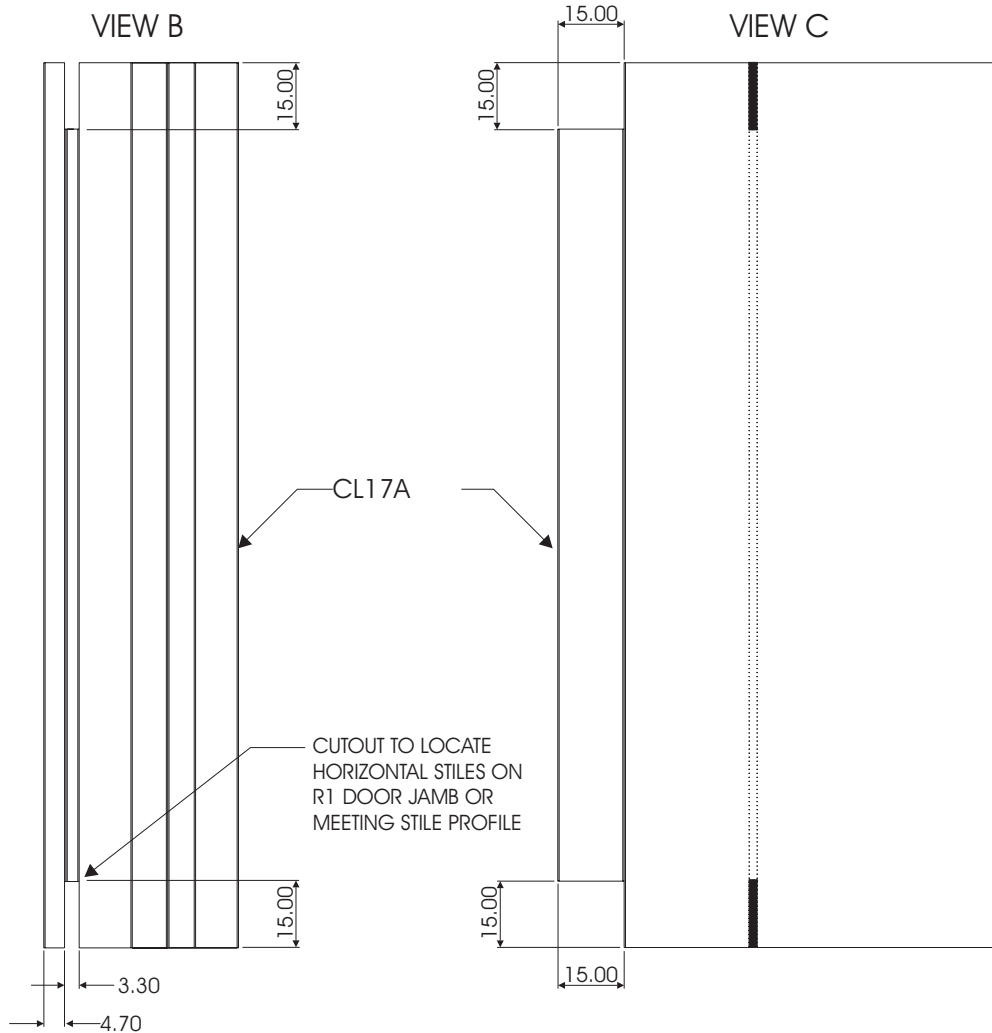
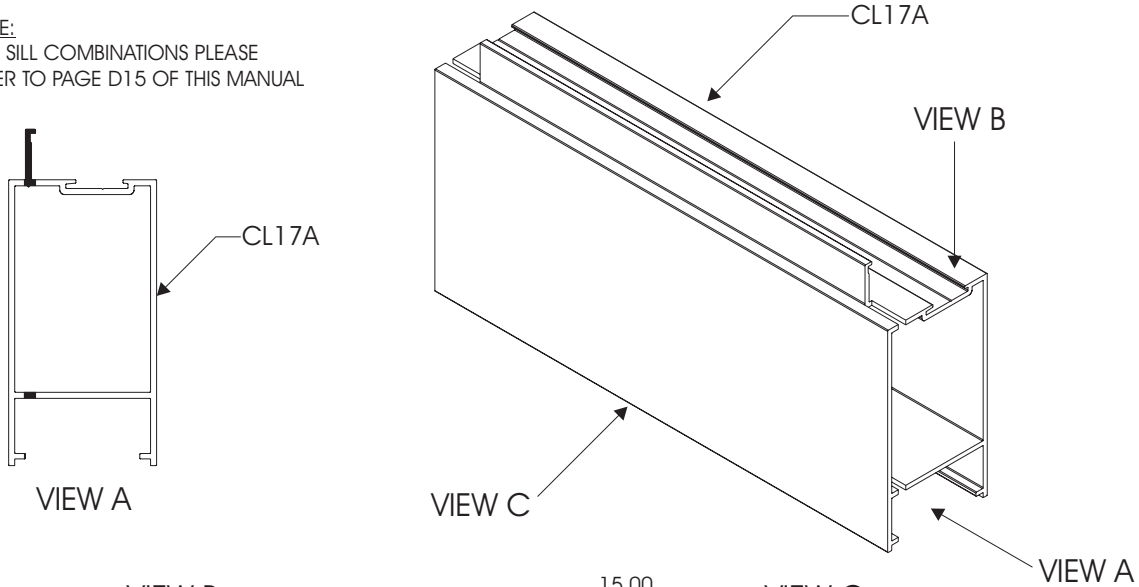
- 9. SHW07HN - NUT GALV 8mm ROD
- 10. SHW07WS - WASHER GALV 8mm ROD
- 11. SHW07 - 8mm THREADED ROD GALV 3M
- 12. HNDD25300N - O/SET TUBULAR HANDLE
- 13. CL44640/25 - DEAD LOCK 25mm
- 14. SHW04 - FLUSH BOLT NAT ALUFAB 150X19mm
- 15. CC900 - QS TRANSOM CONCEALED DOOR CLOSER
- 16. HANDLE MACHINING DETAIL SEE PAGE D23
- 17. LOCK MACHINING DETAIL SEE PAGE D24
- 18. CC900 MACHINING DETAIL SEE PAGE D26 - D29

Disclaimer: The right to make alterations is reserved
© 2010 Sheerline, All Rights Reserved

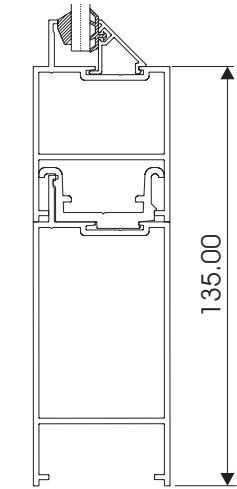
SHEERFRONT CLIP 15 SYSTEM OVERHEAD DOOR CLOSER DOOR SILL MACHINING DETAIL TO SUIT ALL SILL COMBINATIONS



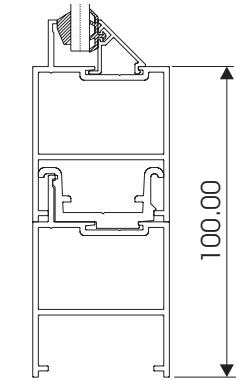
NOTE:
FOR SILL COMBINATIONS PLEASE
REFER TO PAGE D15 OF THIS MANUAL



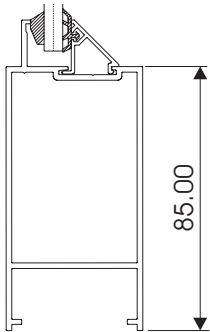
SHEERFRONT CLIP 15 SYSTEM SILL COMBINATIONS



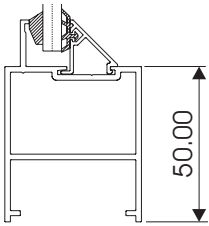
R7 + R4
(CL22A+CL17A)



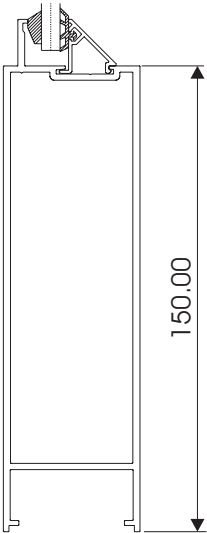
R7 + R7
(CL22A+CL22A)



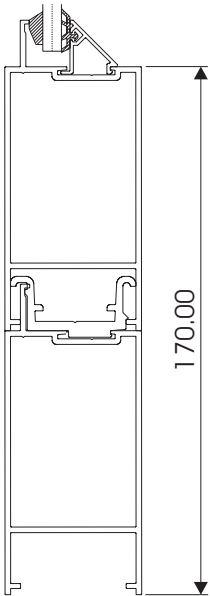
R4
(CL17A)



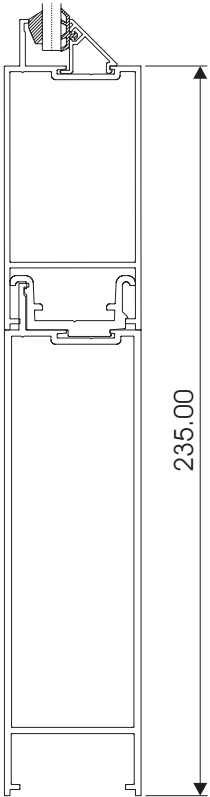
R7
(CL22A)



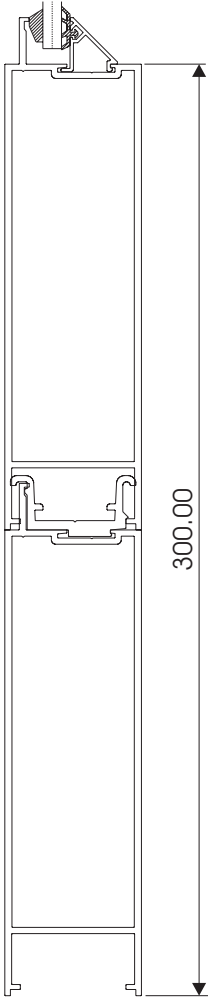
R6
(CL56A)



R4 + R4
(CL17A+CL17A)

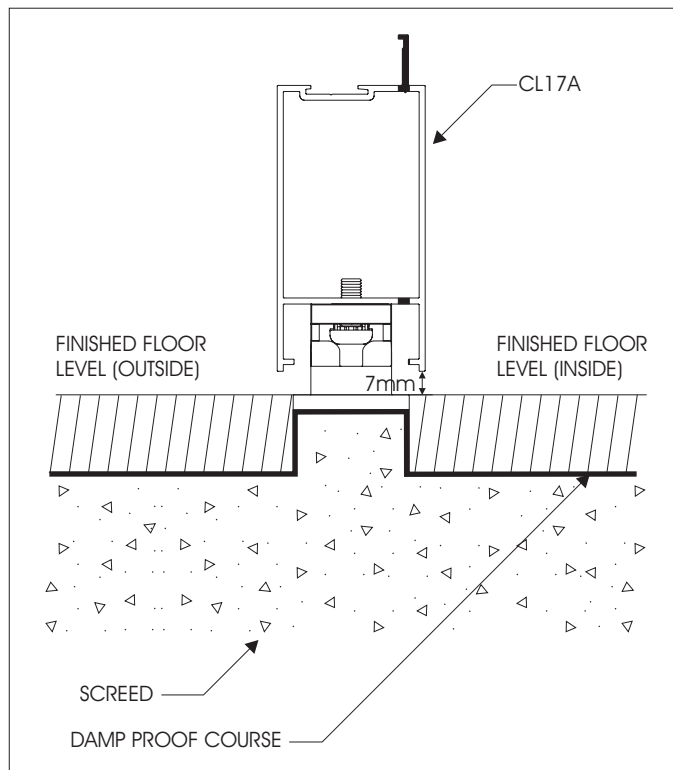
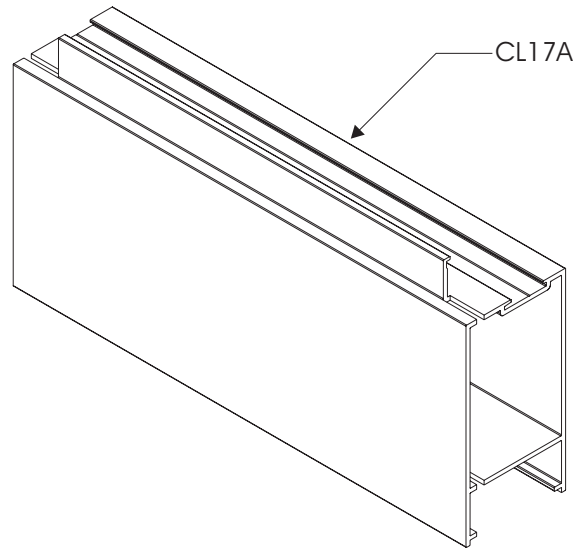


R4 + R6
(CL17A+CL56A)

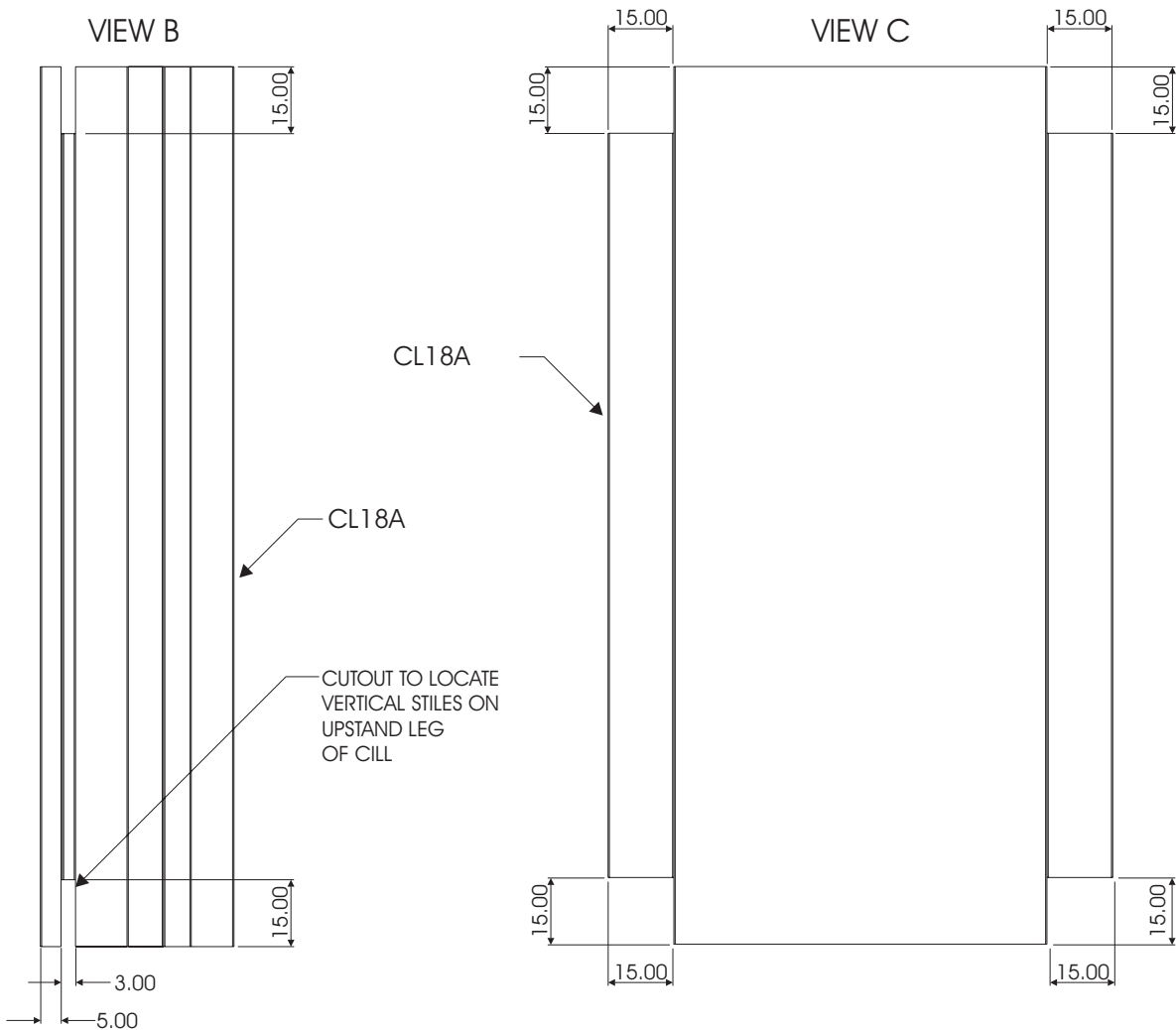
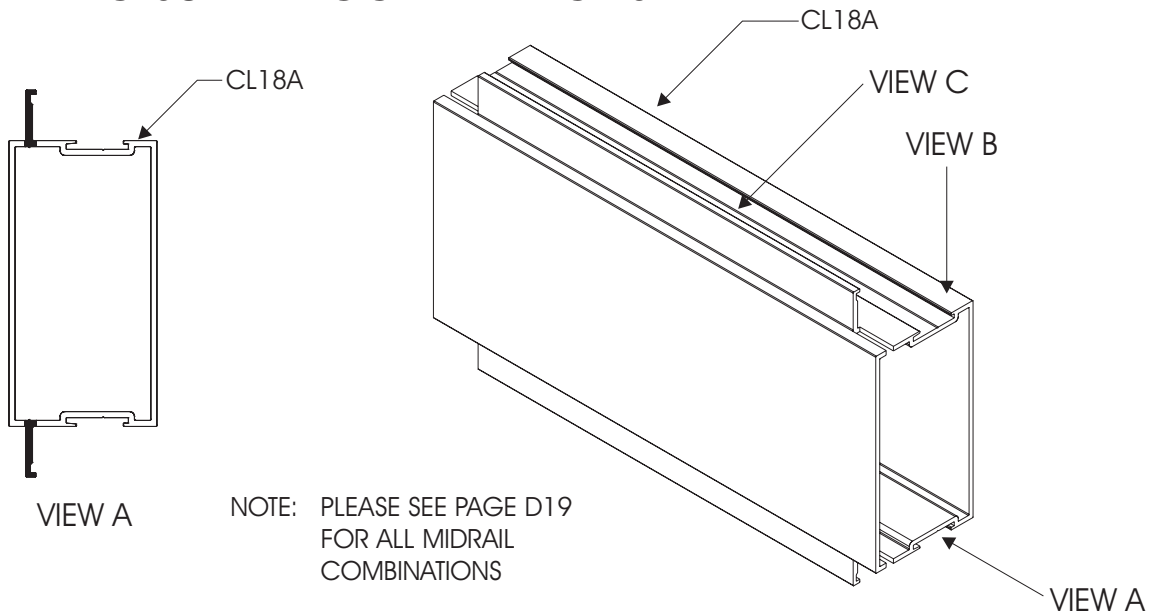


R6 + R6
(CL56A+CL56A)

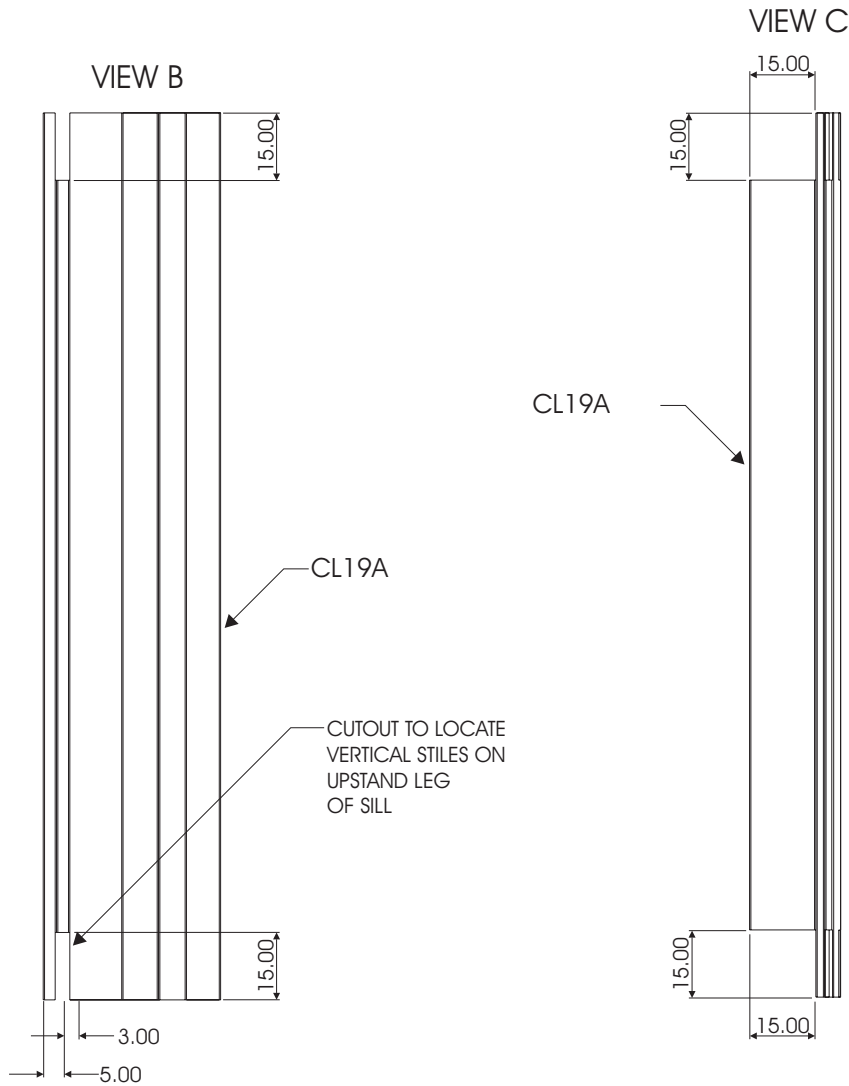
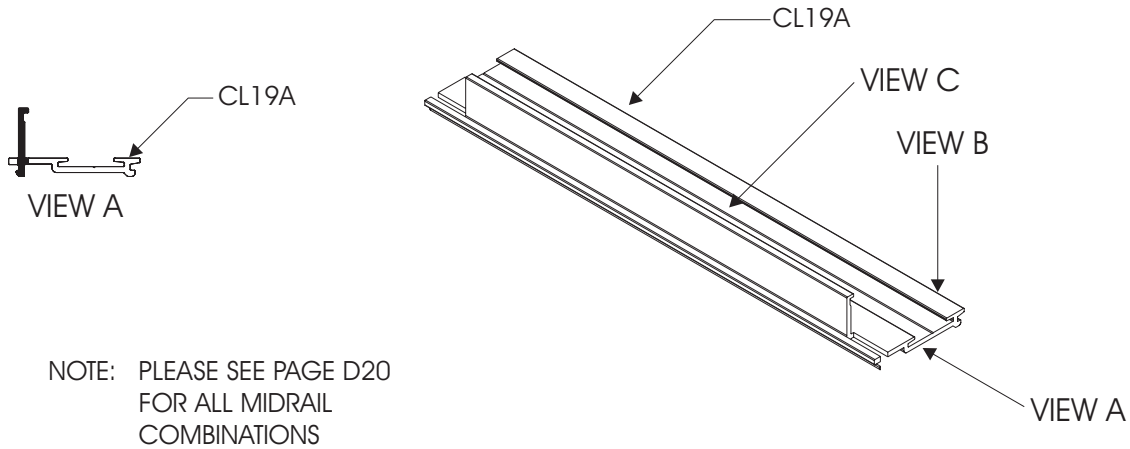
SHEERFRONT CLIP 15 SYSTEM
OVERHEAD DOOR CLOSER
DOOR SILL FLOOR LEVEL DETAIL



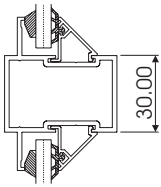
SHEERFRONT CLIP 15 SYSTEM SWING DOOR MIDRAIL MACHINING DETAIL TO SUIT ALL COMBINATIONS



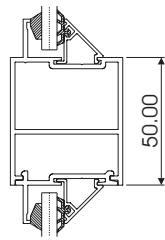
SHEERFRONT CLIP 15 SYSTEM R4 FILLER ADAPTOR MACHINING DETAIL



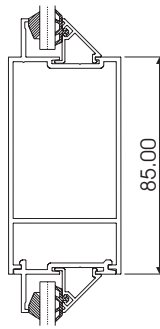
SHEERFRONT CLIP 15 SYSTEM MIDRAIL COMBINATIONS



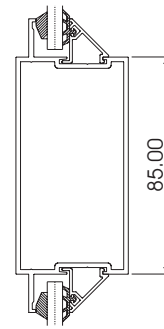
W44
(CL09A)



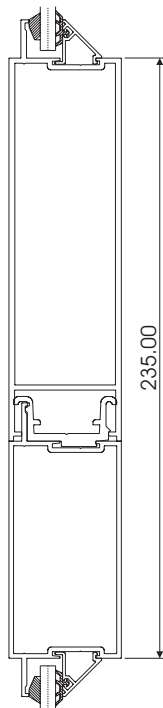
R7 + R4 FILLER
(CL22A+CL19A)



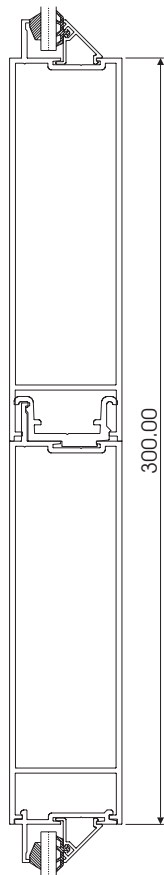
R4 + R4 FILLER
(CL17A+CL19A)



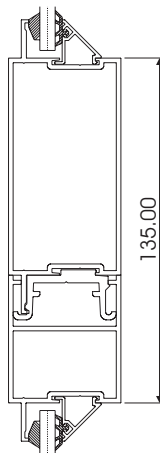
R4SP
(CL18A)



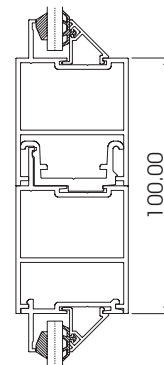
R6 + R4SP
(CL56A+CL18A)



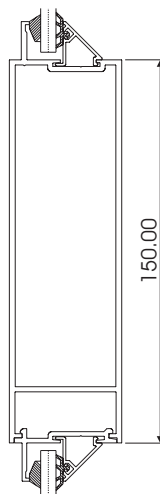
R6 + R6 + R4 FILLER
(CL56A+CL56A+
CL19A)



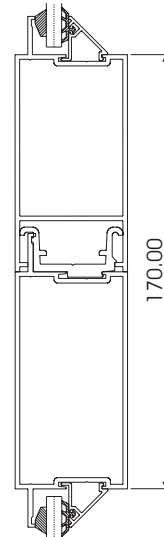
R7 + R4SP
(CL22A+CL18A)



R7 + R7 + R4 FILLER
(CL22A+CL22A+
CL19A)

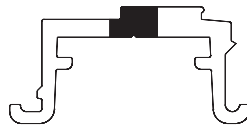
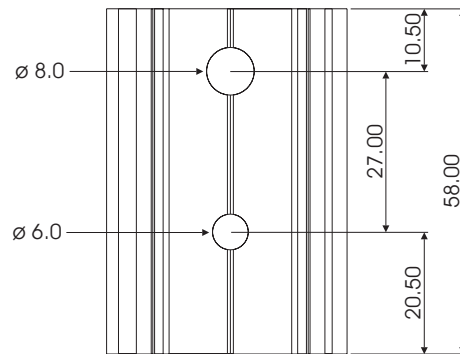
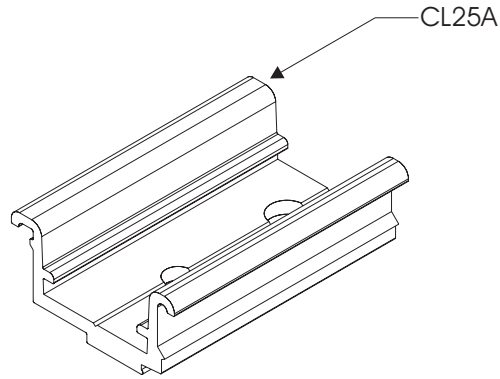


R6 + R4 FILLER
(CL56A+CL19A)

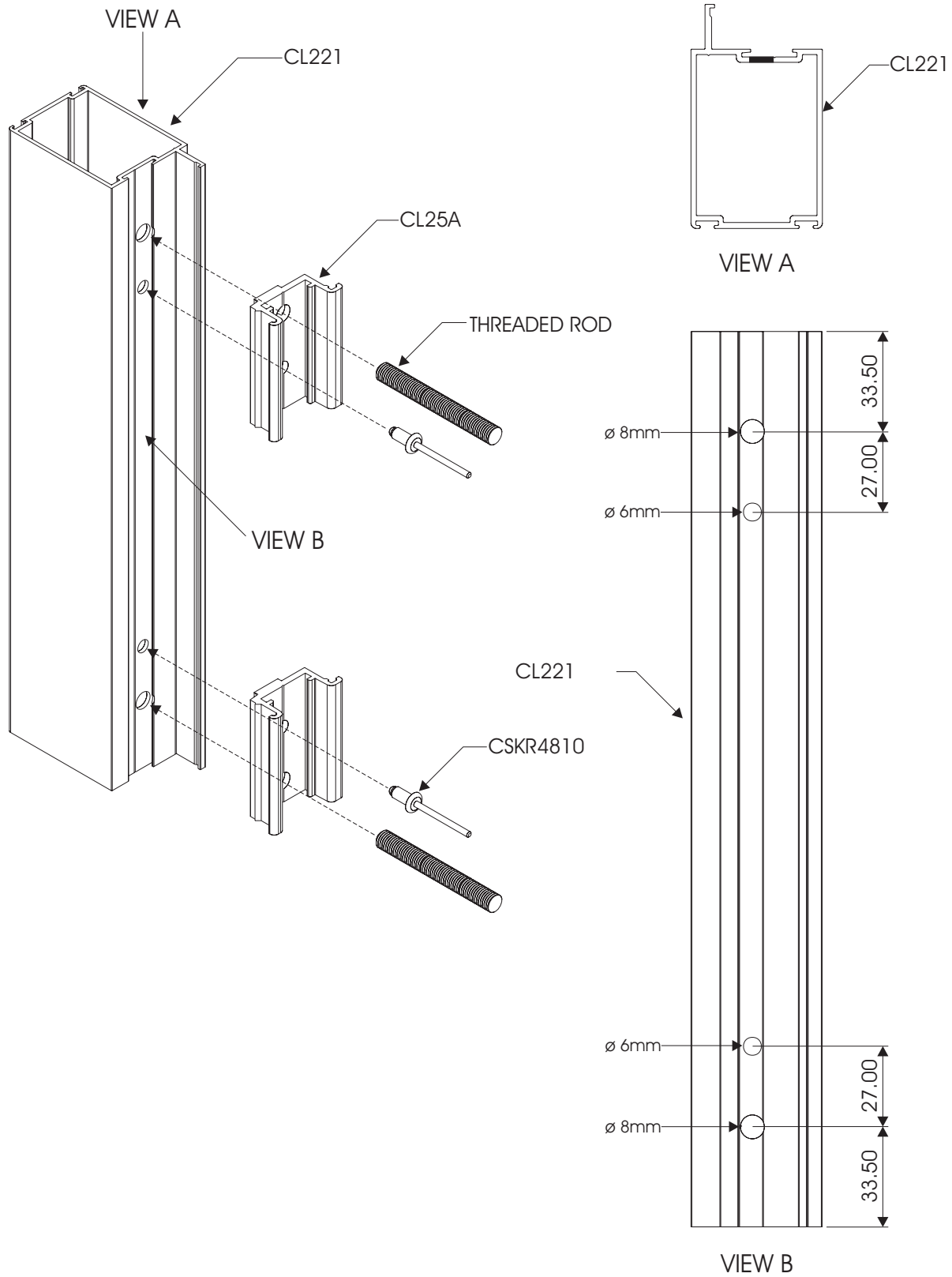


R4 + R4SP
(CL17A+CL18A)

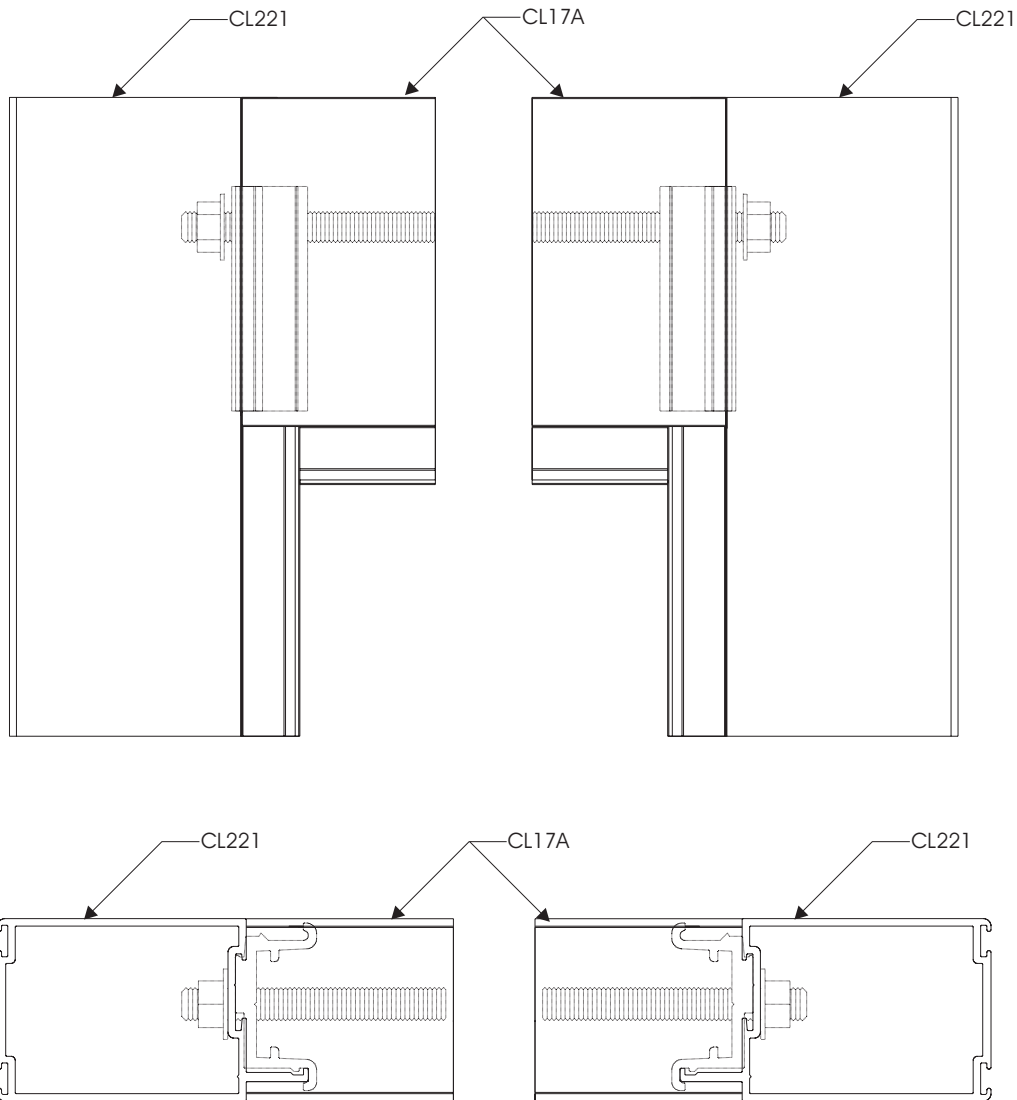
SHEERFRONT CLIP 15 SYSTEM
SPIGOT MACHINING DETAIL
CL25A



SHEERFRONT CLIP 15 SYSTEM DOOR STILE MACHINING DETAIL



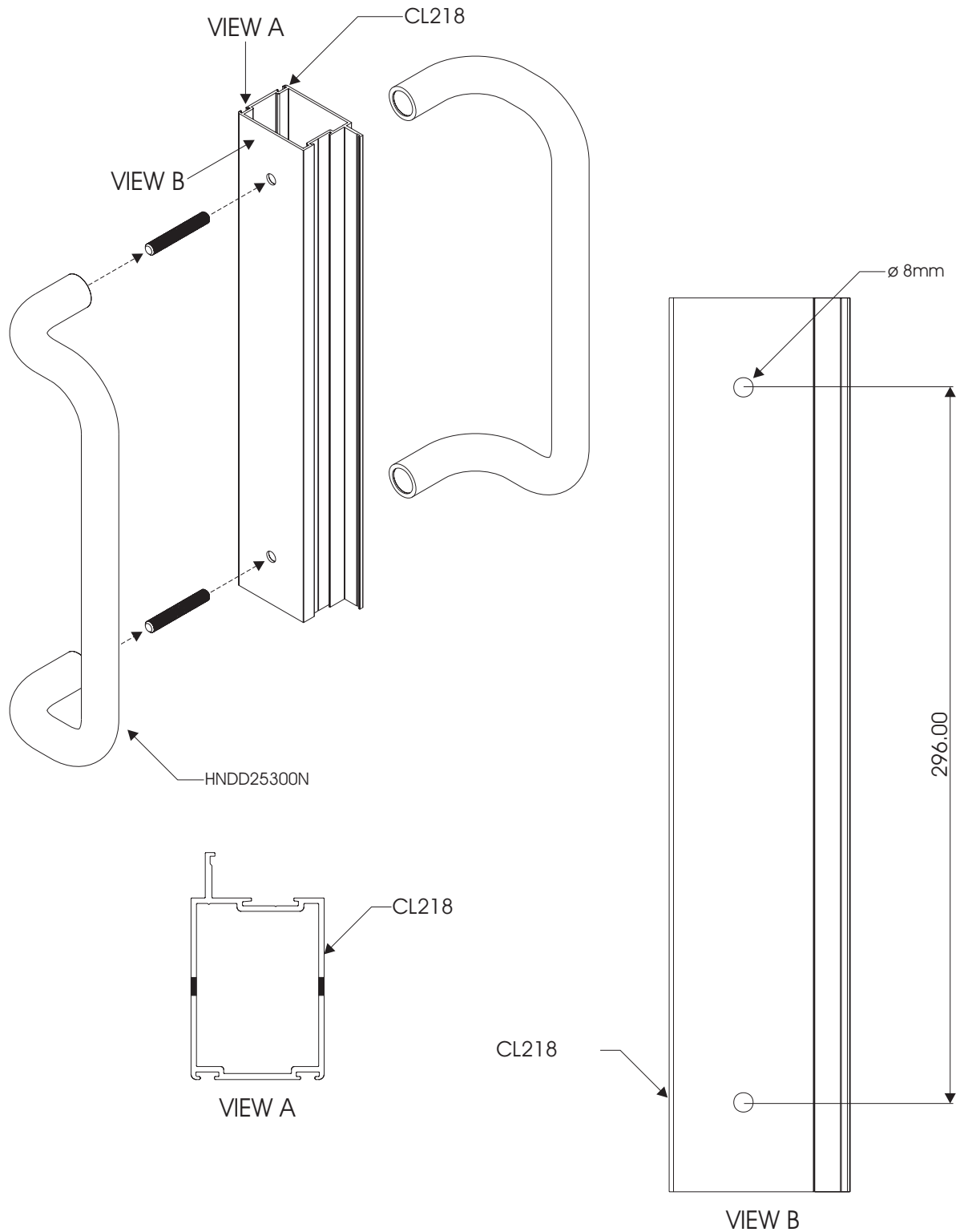
SHEERFRONT CLIP 15 SYSTEM ROD & SPIGOT ASSEMBLY DETAIL



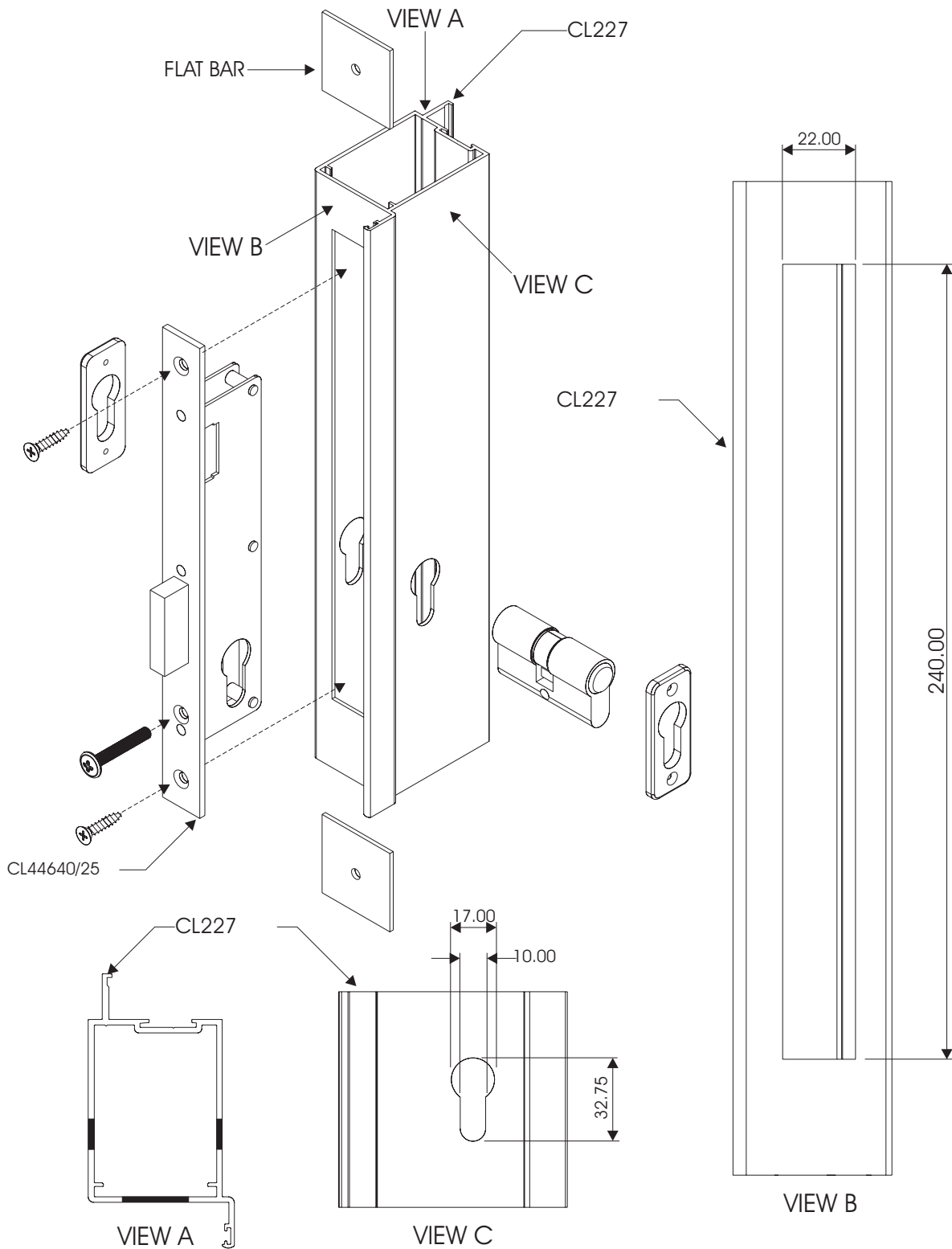
DETAIL TYPICAL TO HEAD AND SILL OF HINGED DOOR

1. ATTACH SPIGOTS TO STILES WITH NO 8 FIXING SCREWS (SC0830P)
2. FASTEN STILES TO TOP AND BOTTOM RAILS WITH NUTS (SHW07HN) AND THREADED RODS (SHW07). USE WASHERS (SHW07WS).
3. ENSURE ALL MATING JOINTS ARE BEDDED IN SEALANT BEFORE ASSEMBLY.

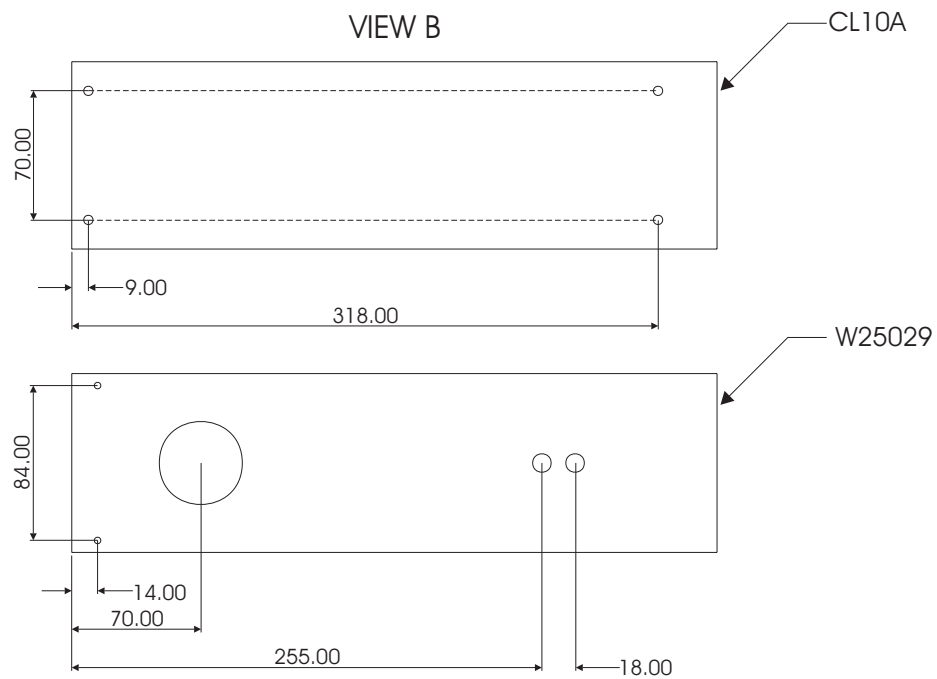
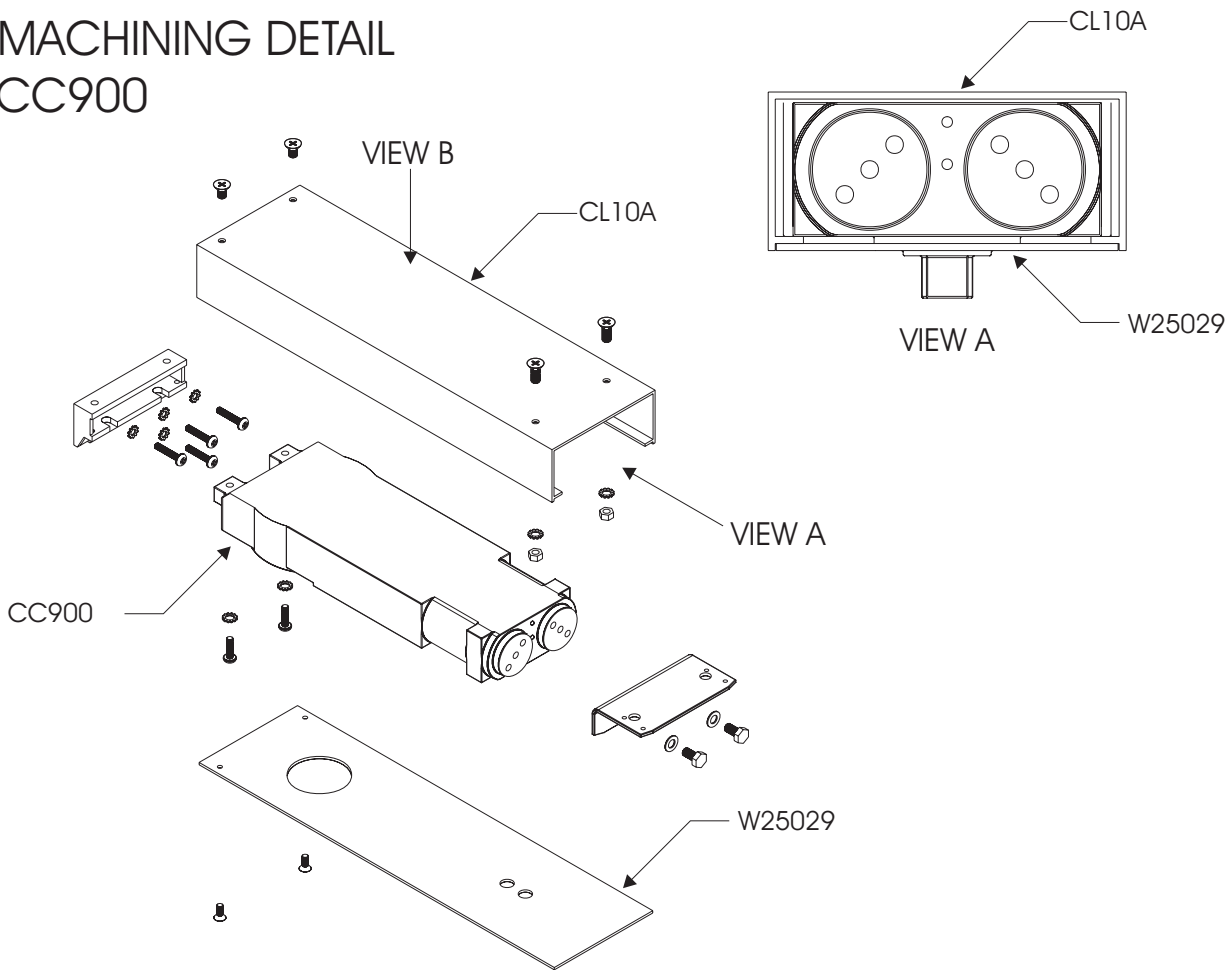
SHEERFRONT CLIP 15 SYSTEM
OVERHEAD DOOR CLOSER
DOOR HANDLE MACHINING DETAIL
HNDD25300N



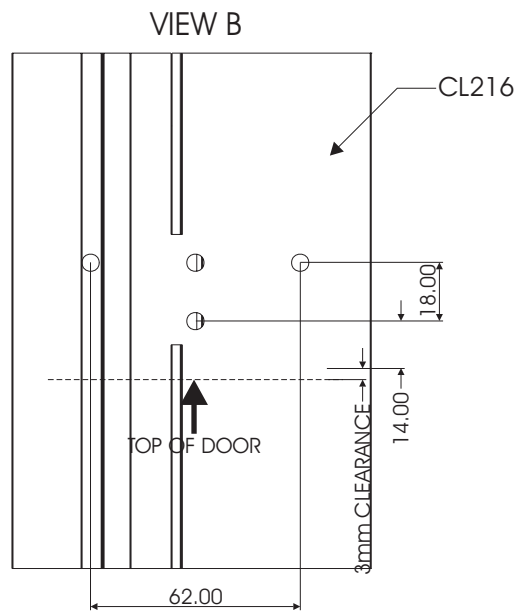
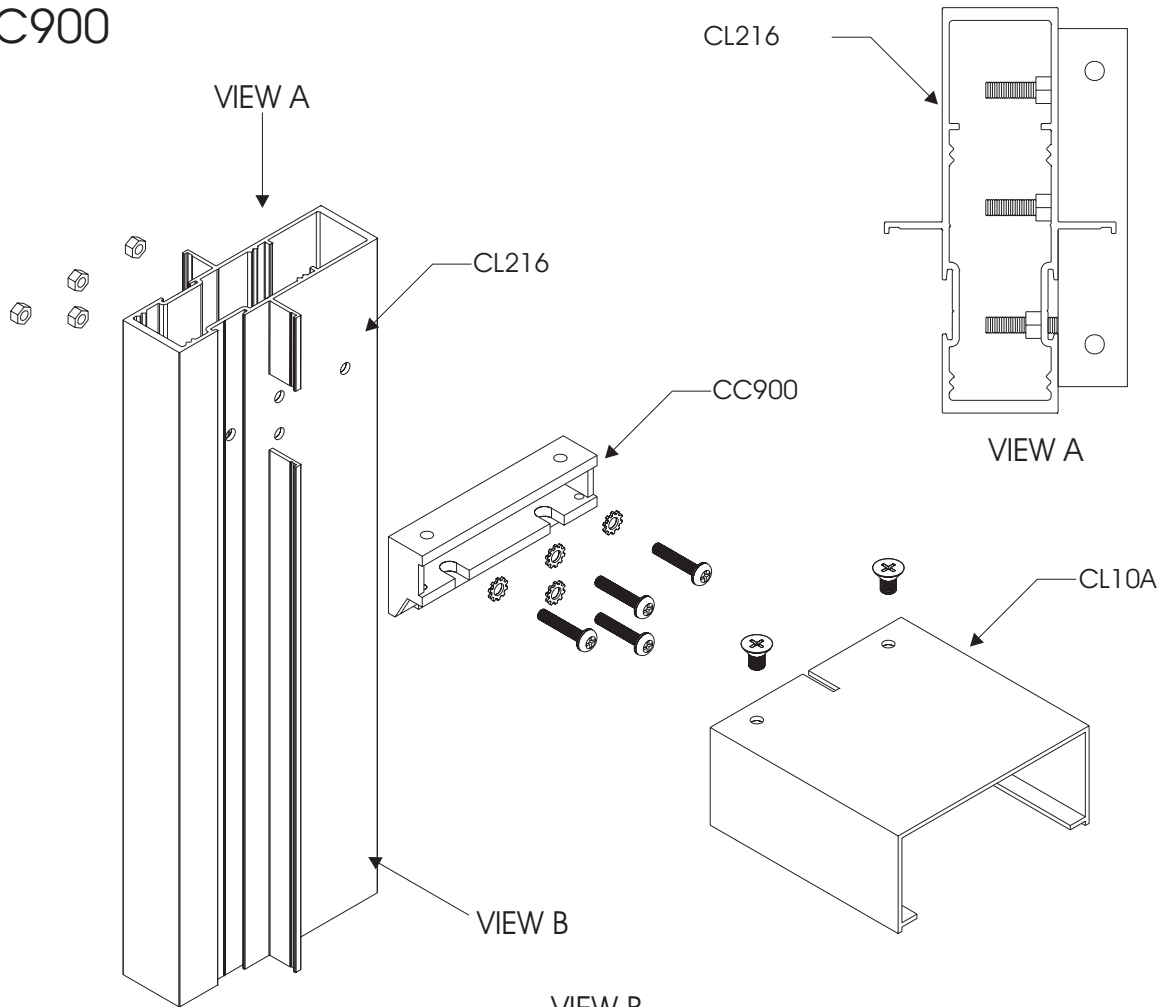
SHEERFRONT CLIP 15 SYSTEM
 OVERHEAD DOOR CLOSER
 MEETING STILE MACHINING DETAIL
 FOR LOCK CL44640/25



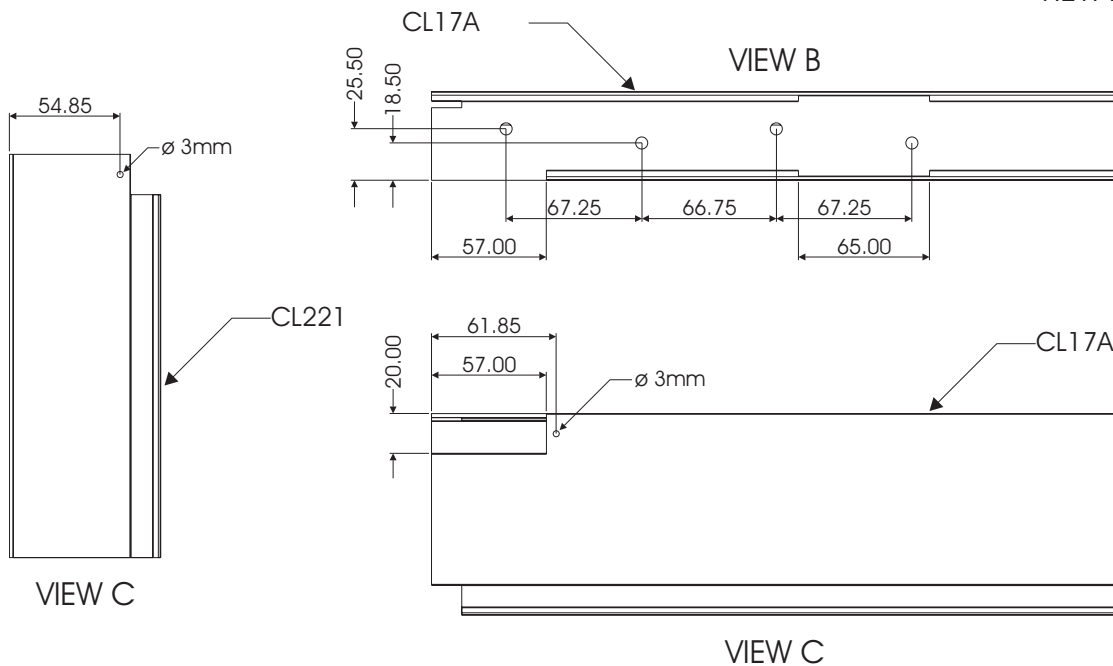
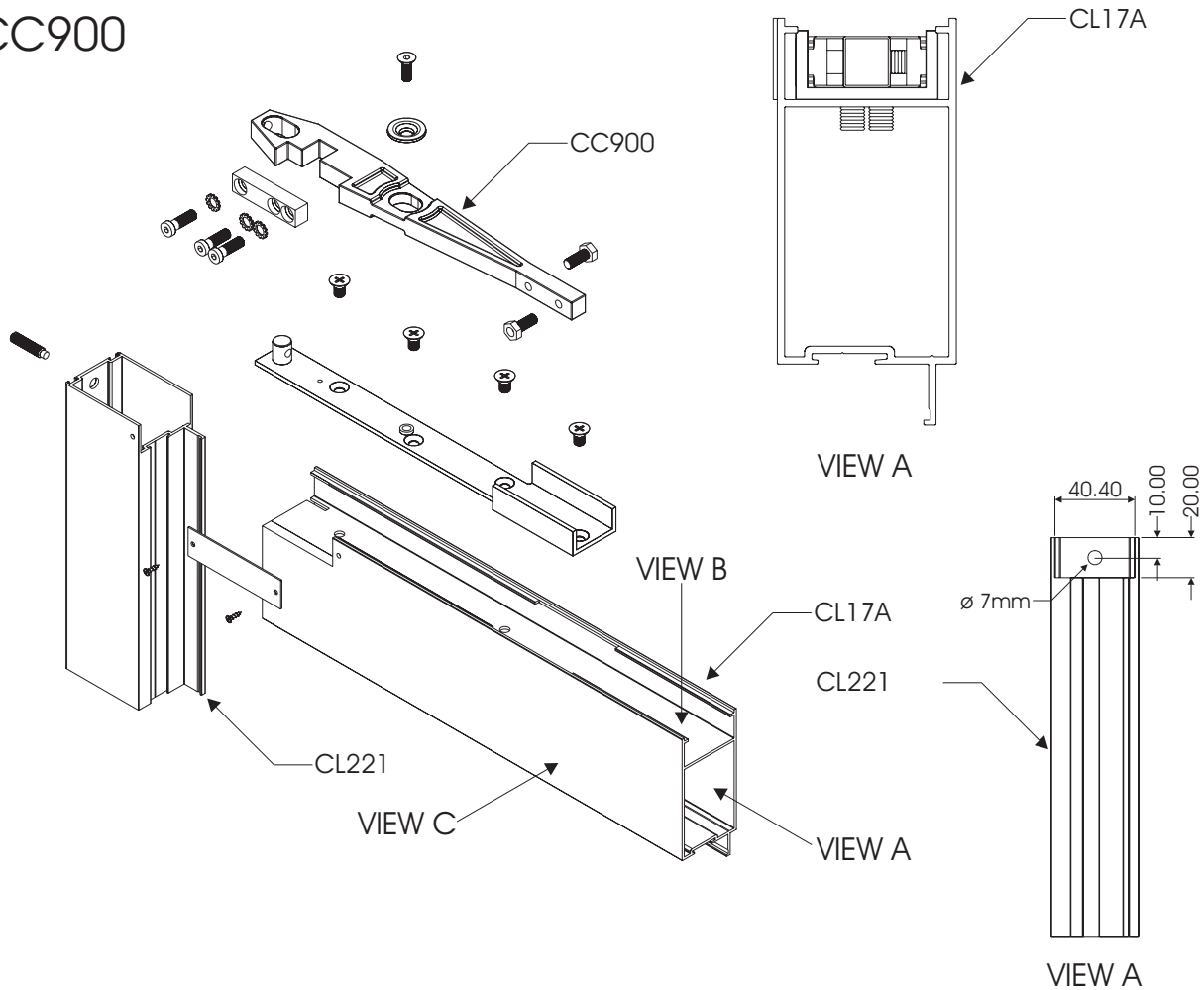
SHEERFRONT CLIP 15 SYSTEM
 OVERHEAD DOOR CLOSER
 TRANSOM & TRANSOM COVER
 MACHINING DETAIL
 CC900



SHEERFRONT CLIP 15 SYSTEM
 OVERHEAD DOOR CLOSER
 JAMB MACHINING DETAIL
 CC900



SHEERFRONT CLIP 15 SYSTEM
 OVERHEAD DOOR CLOSER
 HEAD MACHINING DETAIL
 CC900



SHEERFRONT CLIP 15 SYSTEM
 OVERHEAD DOOR CLOSER
 SILL MACHINING DETAIL
 CC900

