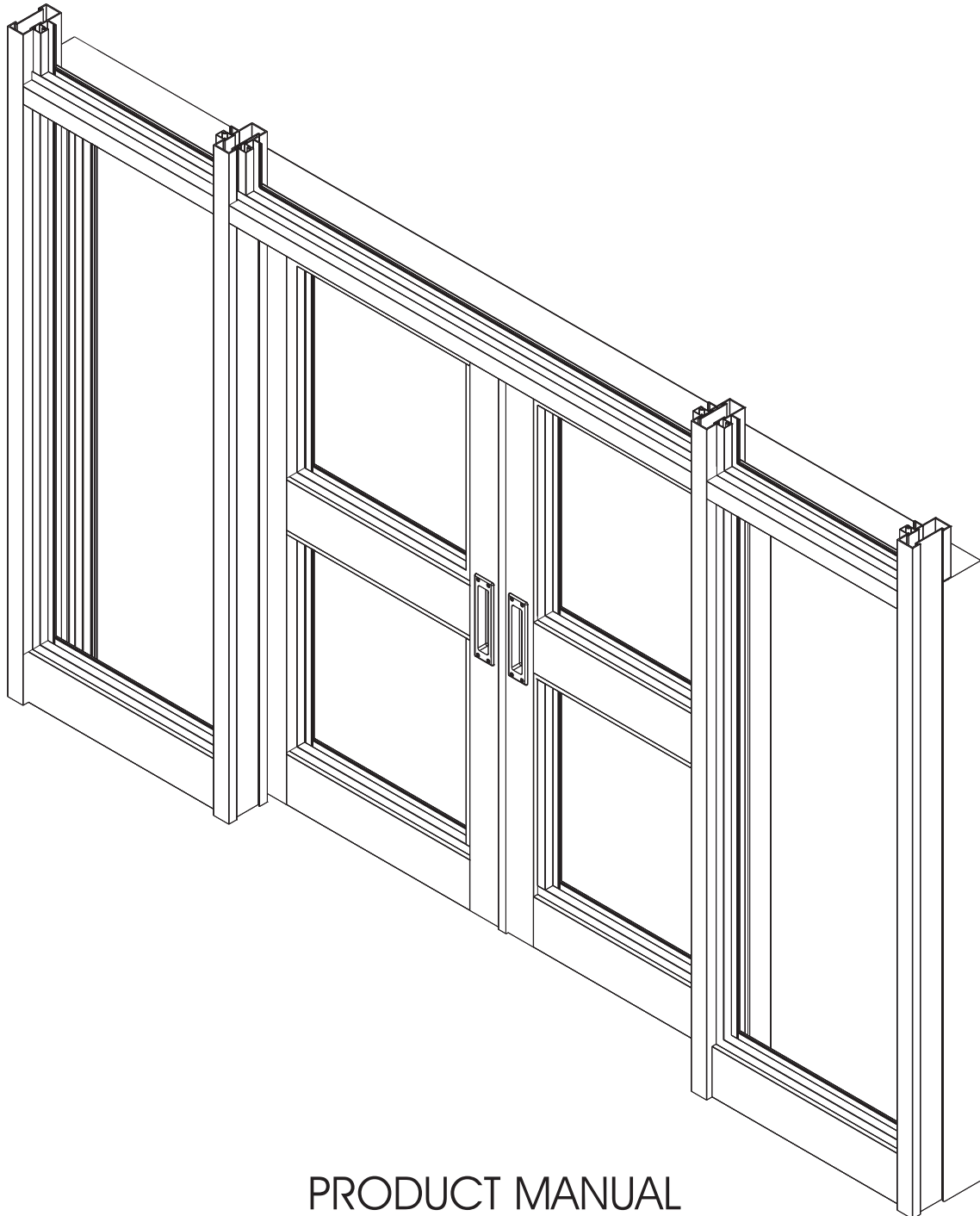




## SHEERFRONT CLIP 15 SYSTEM SLIDING DOORS



### PRODUCT MANUAL

Disclaimer: The right to make alterations is reserved  
© 2010 Sheerline, All Rights Reserved

Revision: 01/10/2010



## LEGAL DISCLAIMER

All information, recommendations or advice contained in this documentation is given in good faith to the best of Sheerline's knowledge and is based on current procedures in effect.

Since the actual use of this documentation by the user is beyond the control of Sheerline, such use is within the exclusive responsibility of the user. Sheerline cannot be held responsible for any loss incurred through incorrect or faulty use of this documentation.

Great care has been taken to ensure that the information provided is correct. Sheerline will accept no responsibility for any errors and/or omissions, which may have inadvertently occurred.

All mechanical joints must be sealed with a Sheerline approved joint sealer.

Laminated glass must not stand in water.

All drawings in the Sheerline Documentation are shown NOT to scale.

Sheerline cannot accept responsibility for the use of standard products since Sheerline does not know where these products are being installed.

The use of anti-magnetic stainless steel screws and pop rivets is recommended to reduce galvanic corrosion in harsh environments.

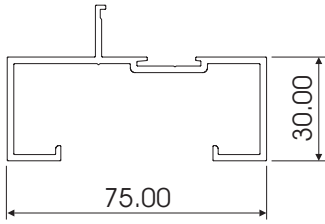
The hardware recommended in this documentation is suitable for use in most atmospheric environments. When hardware is used in severe coastal environments the manufacturer of the hardware must be consulted.

Fixing lugs on frames must be positioned as per the user manual and used in accordance to the AAAMSA specifications. When profiles are screwed together the screw centers must also be according to the user manual.

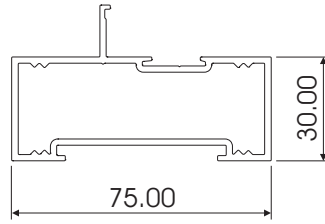
All glass used within Sheerline products must comply with SAGGA regulations.

**By continuing to use this documentation you acknowledge that you understand and accept the legal disclaimer.**

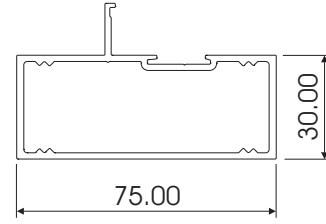
# SHEERFRONT CLIP 15 SYSTEM PROFILE IDENTIFICATION



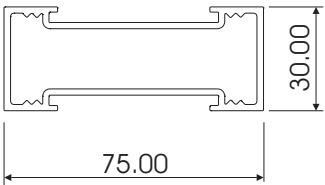
CLIP44 26C JAMB  
OPEN BACK  
CLO3A



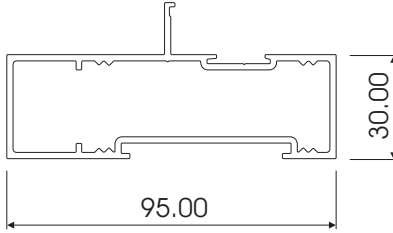
CLIP44 26B  
RECESSED BACK  
CLO2A



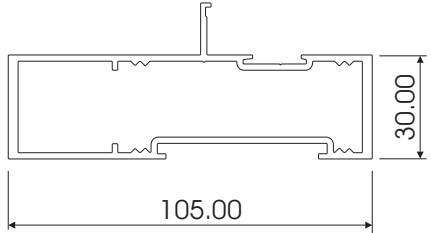
CLIP44 26E  
FLAT BACK  
CL49A



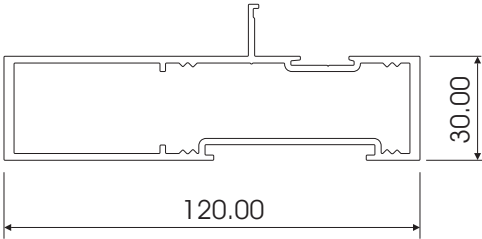
CLIP44 26D  
RECESSED BACK  
CL47A



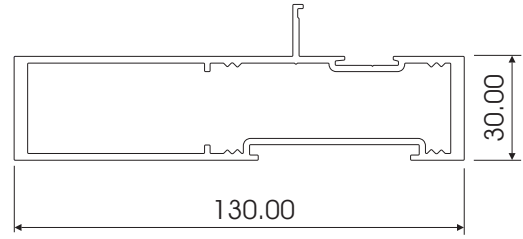
CLIP44 95B  
RECESSED BACK  
CL200



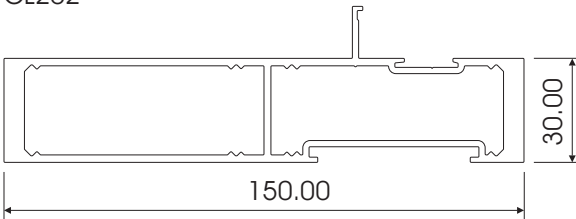
CLIP44 105B  
RECESSED BACK  
CL201



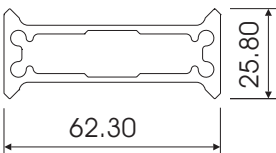
CLIP44 120B  
RECESSED BACK  
CL202



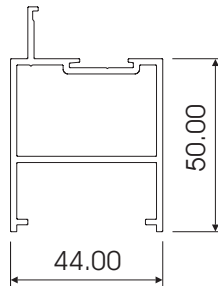
CLIP44 130B  
RECESSED BACK  
CL217



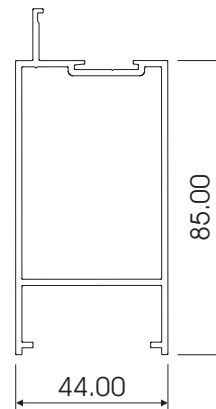
CLIP44 150B  
RECESSED BACK  
CL203



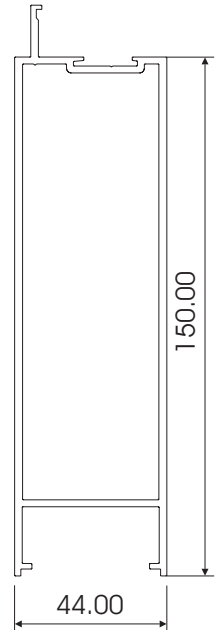
CLIP44 BOX SPIGOT  
4 X S/PORT  
W55456



CLIP44 R7 HEAD/  
SILL RAIL 50mm  
CL22A

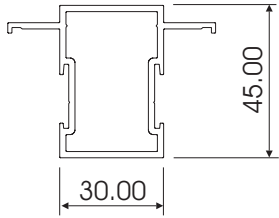


CLIP44 R4 HEAD/  
SILL RAIL 85mm  
CL17A

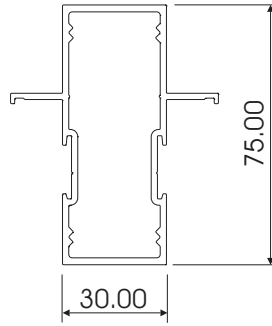


CLIP44 R6 SILL  
RAIL 150mm  
CL56A

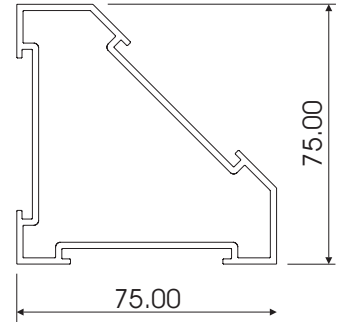
# SHEERFRONT CLIP 15 SYSTEM PROFILE IDENTIFICATION



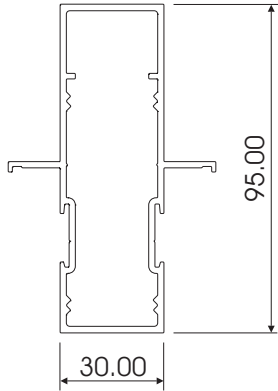
CLIP44 MIDRAIL GLAZING BAR  
CL09A



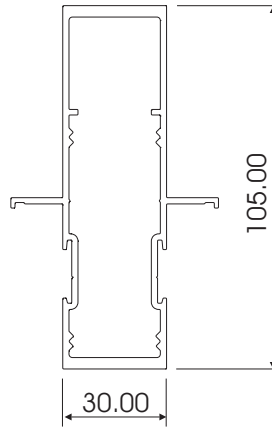
CLIP44 26 MULLION  
CL01A



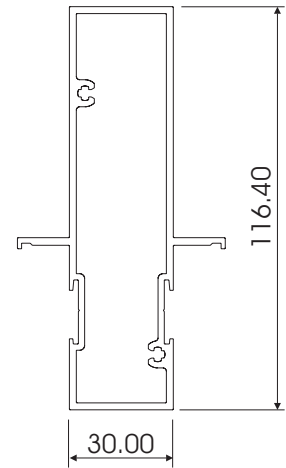
CLIP44 CORNER MULLION  
CL08A



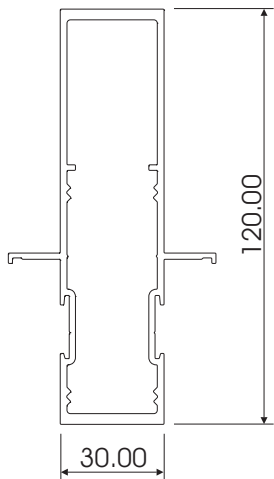
CLIP44 MULLION W95  
CL215



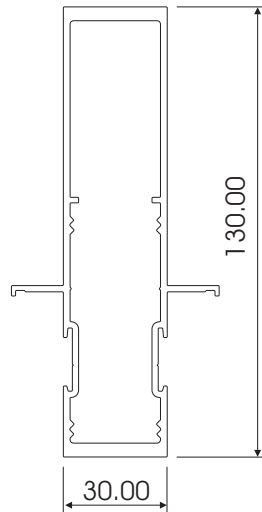
CLIP44 MULLION W105  
CL216



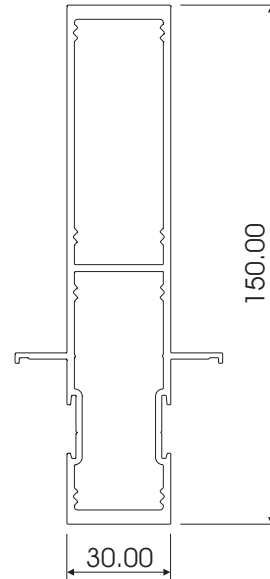
CLIP44 MULLION 116.4mm  
CL219



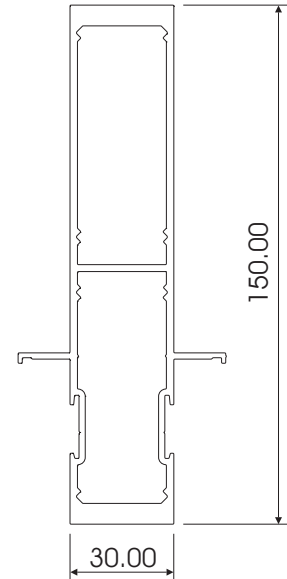
CLIP44 MULLION W120  
CL06A



CLIP44 MULLION W130  
CL226

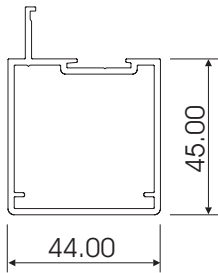


CLIP44 W150 MULLION  
CL07A

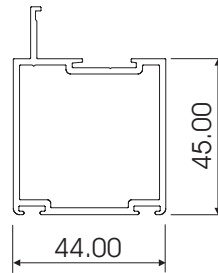


CLIP44 150mm MULLION  
HEAVY DUTY  
CL204

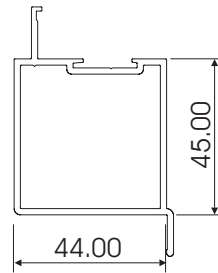
# SHEERFRONT CLIP 15 SYSTEM PROFILE IDENTIFICATION



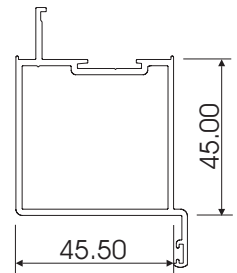
CLIP44 R1  
DOOR JAMB  
CL15A



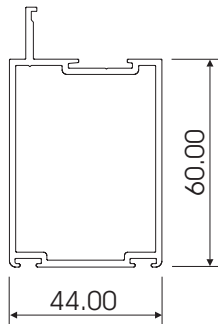
CLIP44 R3 SPECIAL  
DOOR JAMB  
CL16A



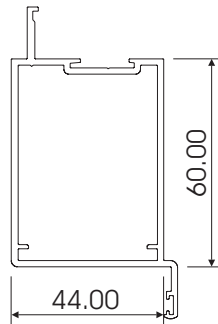
CLIP44 R12 DOUBLE  
DOOR JAMB  
CL214



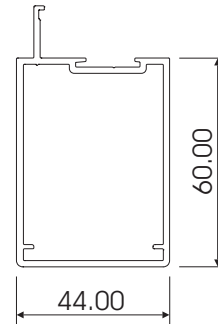
CLIP44 R12 SPECIAL  
CL42A



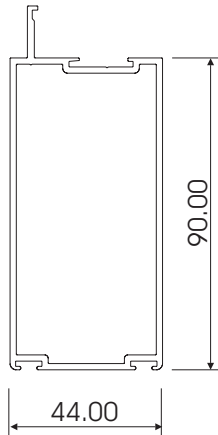
CLIP44 R11W  
D/STILE 60mm W/PILE  
CL221



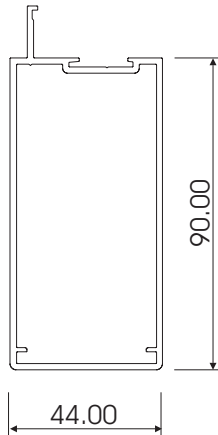
CLIP44 R11SP  
D/STILE 60mm  
CL227



CLIP44 R11  
DOOR JAMB  
CL218



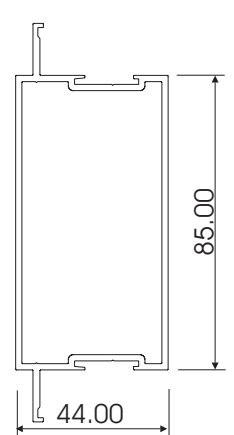
CLIP44 R9W  
D/STILE 90mm W/PILE  
CL51A



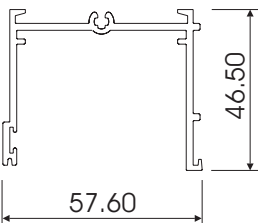
CLIP44 R9  
D/STILE 90mm  
CL52A



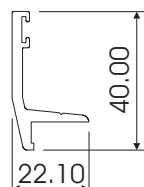
CLIP44 R9SP D/STILE  
90mm  
CL77A



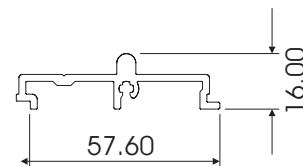
CLIP44 R4-SPECIAL  
MID RAIL 85mm  
CL18A



CLIP44 MULTI TRACK  
HEAD RAIL  
CL30W

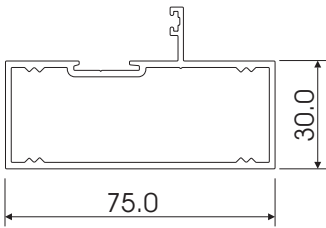


CLIP44 MULTI TRACK  
SILL ADAPTOR  
CL32

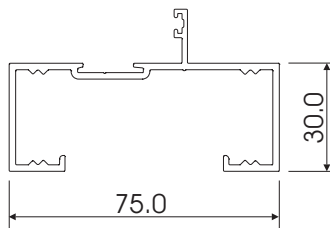


CLIP44 MULTI TRACK  
SILL RAIL  
CL31W

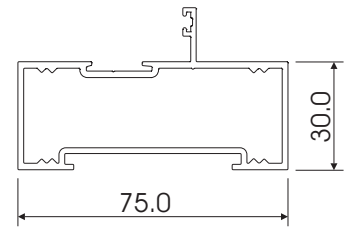
# SHEERFRONT CLIP 15 SYSTEM ALTERNATE WOOLPILE PROFILES



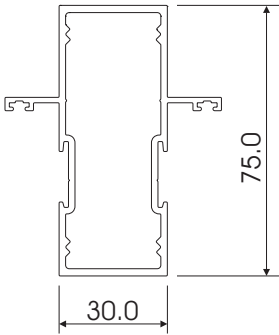
CLIP44 FLAT  
BACK WOOLPILE  
CL49GW



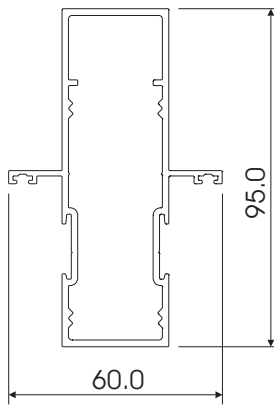
CLIP44 JAMB  
OPEN BACK WOOLPILE  
CL03GW



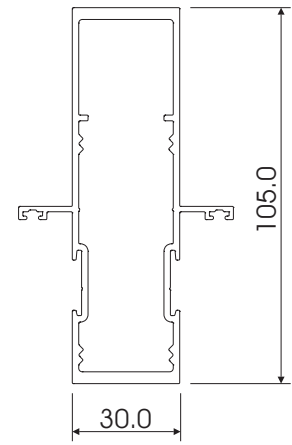
CLIP 44 RECESSED  
BACK WOOLPILE  
CL02GW



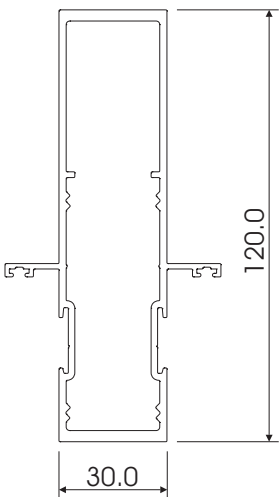
CLIP44 MULLION  
WOOLPILE  
CL01GW



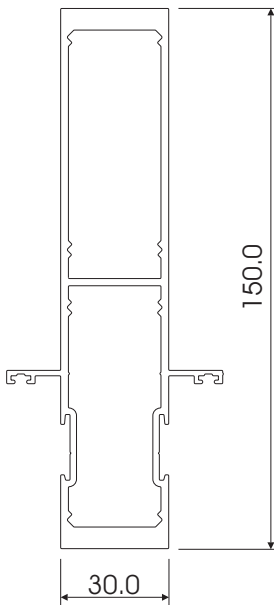
CLIP44 W95 MULLION  
WOOLPILE  
W56015



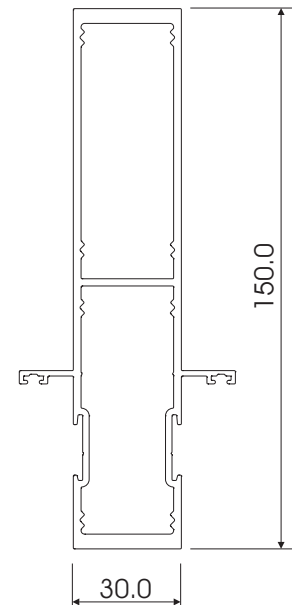
CLIP44 W105 MULLION  
WOOLPILE  
W56014



CLIP44 W150 MULLION  
WOOLPILE  
CL06GW

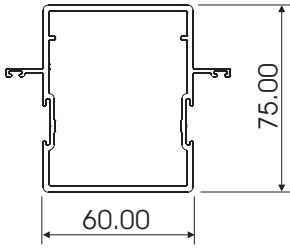


CLIP44 150mm MULLION  
WOOLPILE HEAVY DUTY  
W56012

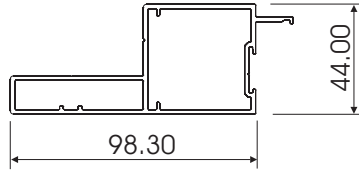


CLIP44 W150 MULLION  
WOOLPILE  
CL07GW

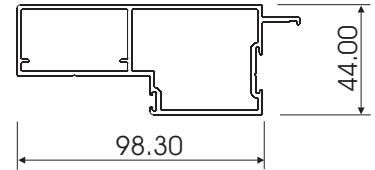
# SHEERFRONT CLIP 15 SYSTEM PROFILE IDENTIFICATION



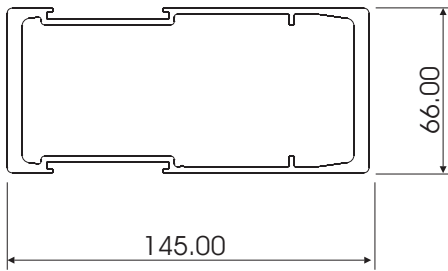
MID-TRANSOME RAIL  
60MM WP  
CL103G



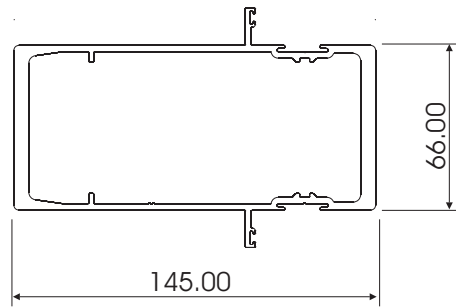
MAGLOCK DOUBLE  
DOOR STILE OPENING DOOR  
CL95



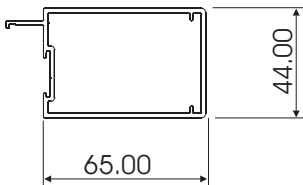
MAGLOCK DOUBLE  
DOOR STILE FIXED DOOR  
CL94



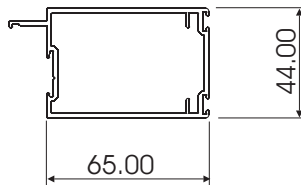
MULLION-TRANSOM  
145x66 RECESSED  
CL76A



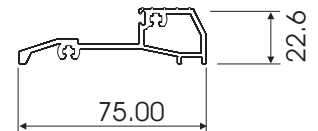
MULLION-TRANSOM  
145x66 DOUBLE LIP WP  
CL76G



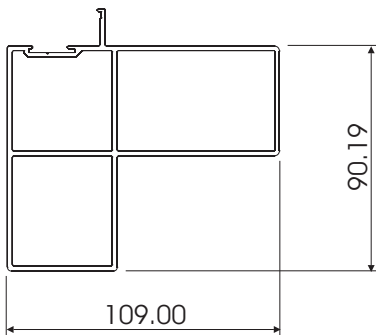
DOOR STILE 65MM  
CL28



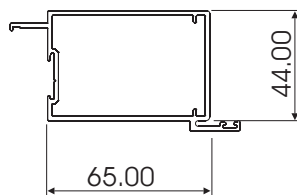
DOOR STILE 65MM  
WOOLPILE  
CL65L



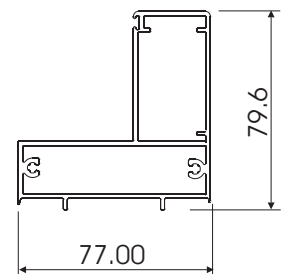
THRESHOLD WITH  
SEAL  
CL69



MAG LOCK  
CL73

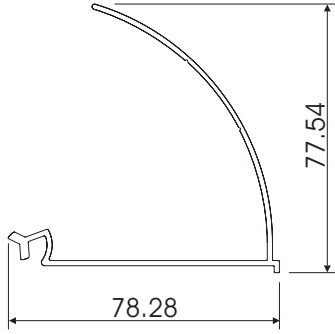


DOOR STILE 65MM  
CL61L

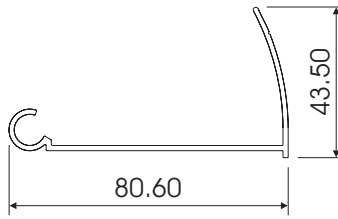


LOCK STILE  
CL64

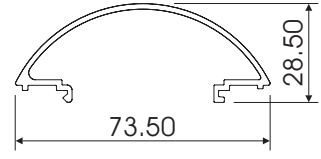
# SHEERFRONT CLIP 15 SYSTEM PROFILE IDENTIFICATION



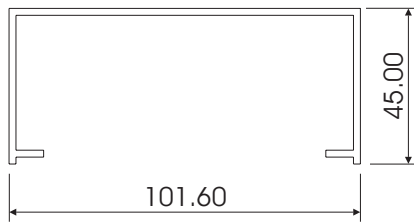
CLIP44 CORNER  
MULLION 1  
CL105



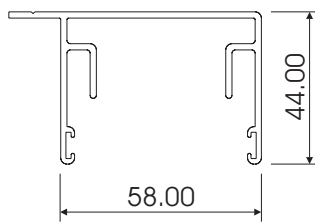
CLIP44 CORNER  
MULLION 2  
CL106



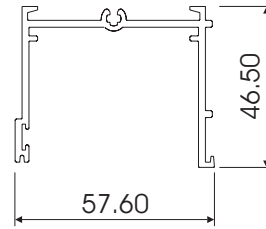
CLIP44 CURVED CLIP  
HAND RAIL  
CL50A



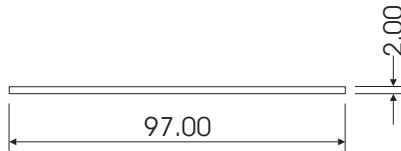
CLIP44 TRANSOM  
CL10A



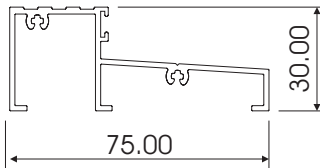
CLIP44 SLIDING DOOR  
HEAD RAIL  
CL29A



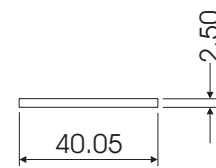
CLIP44 MULTI TRACK  
HEAD RAIL  
CL30W



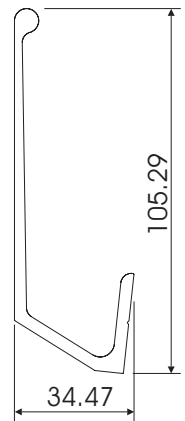
CLIP44 TRANSOM COVER  
W25029



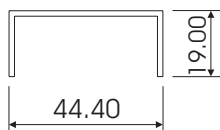
CLIP44 THRESHOLD  
W30289



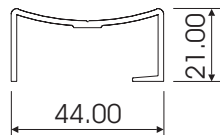
CLIP44 40mm  
COVER PLATE  
FB24



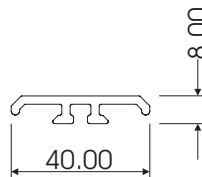
CLIP44 UNIVERSAL  
DOOR HANDLE  
CL37



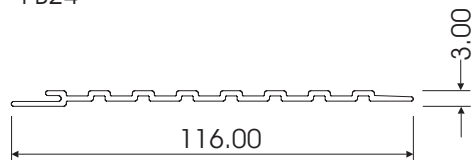
CLIP44 COMPENSATING  
CHANNEL  
W23224



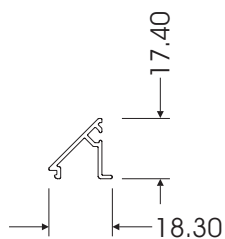
CLIP44 DOOR END  
STYLE FOR PIVOT  
CL24A



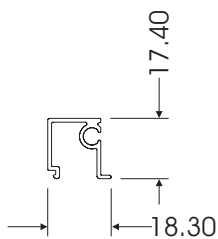
COLONIAL BAR  
W29247



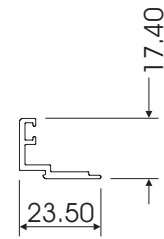
CLIP44 R19 SPECIAL CLADDING  
W27934



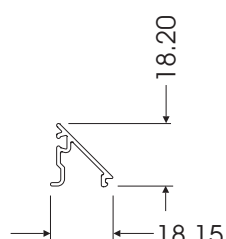
CLIP44 ANGLED  
GLAZING BEAD  
CL13



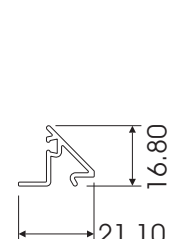
CLIP44 SQUARE  
GLAZING BEAD  
CL14A



CLIP44 DOUBLE  
GLAZING BEAD  
CL66A

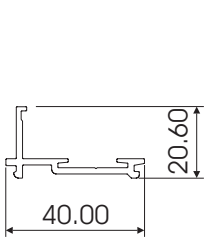


NEW CLIP44 ANGLED  
GLAZING BEAD  
W31142

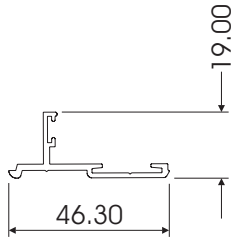


CLIP44 ANGLED  
GLAZING BEAD  
CL225

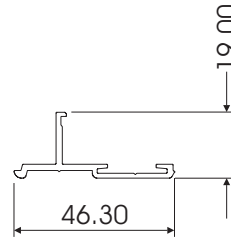
# SHEERFRONT CLIP 15 SYSTEM PROFILE IDENTIFICATION



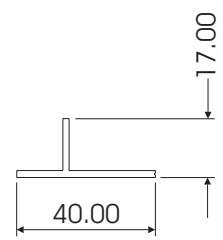
CLIP44 R4 FILLER  
ADAPTOR  
CL19A



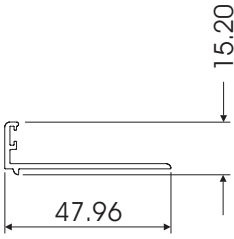
CLIP44 DOOR ADAPTOR  
CL12CA



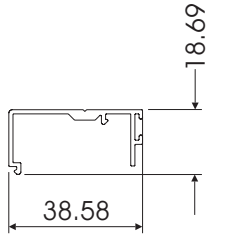
CLIP44 GLAZING  
ADAPTOR  
CL72A



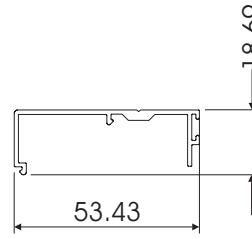
CLIP44 R4 SILL  
END FILLER  
CL20A



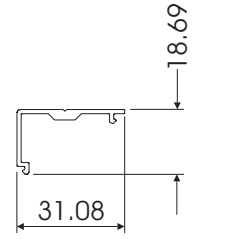
CLIP44 ASTRAGAL  
WITH WOOLPILE  
CL206



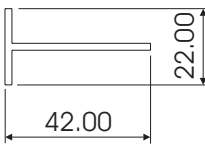
CLIP44 DOOR  
ADAPTOR FOR W105  
CL209



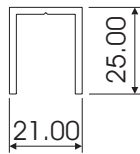
CLIP44 DOOR  
ADAPTOR FOR W120  
CL210



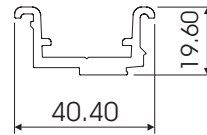
CLIP44 DOOR  
ADAPTOR FOR W95  
CL211



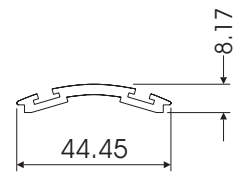
CLIP44 SLIDING DOOR  
STOP ASTRAGAL  
CL35A



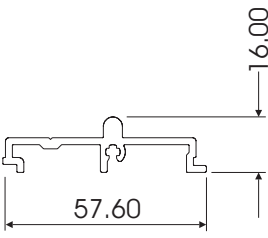
CLIP44 CHANNEL  
SPIGOT  
CH05



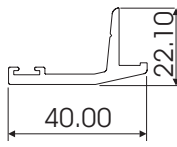
CLIP44 SPIGOT  
CL25A



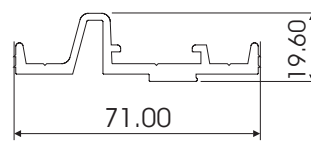
CLIP44 SILL ADAPTOR  
CL104



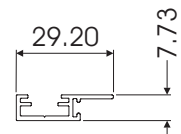
CLIP44 MULTI TRACK  
SILL RAIL  
CL31W



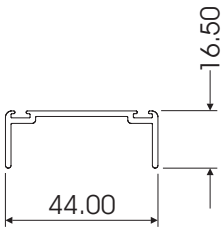
CLIP44 MULTI TRACK  
SILL ADAPTOR  
CL32



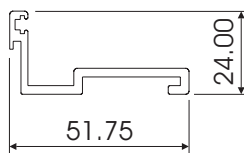
CLIP44 FRAME SPIGOT  
CL39A



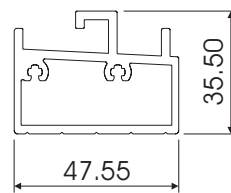
SCREW-ON  
INTERLOCKER  
CL212



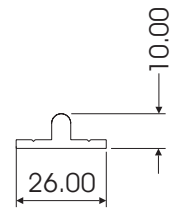
CLIP44 PIVOT DOOR  
HEAD ADAPTOR  
CL44A



CLIP44 DRAINAGE  
SILL ADAPTOR  
CL205

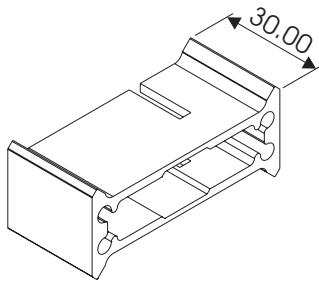


CLIP44 DRAINAGE SILL  
CL220

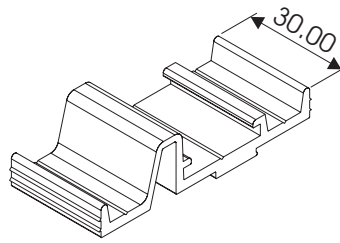


CLIP44 FLOOR TRACK  
CL34W

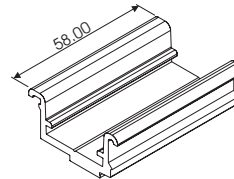
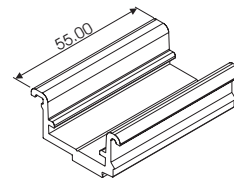
# SHEERFRONT CLIP 15 SYSTEM SLIDING DOOR INSERT HARDWARE IDENTIFICATION



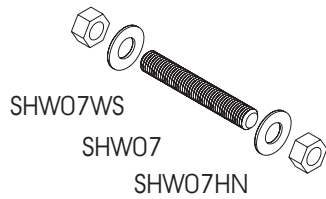
BOX SPIGOT 4 X S/PORT  
CL40W



FRAME SPIGOT  
CL39A



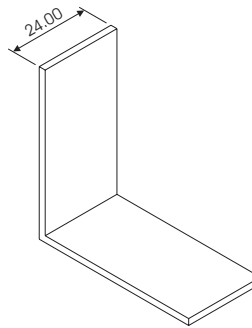
SPIGOT  
CL25A



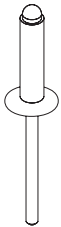
SHW07WS

SHW07

SHW07HN



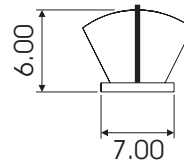
EQUAL ANGLE 50.0 x 50.0 x 2.0  
W20435



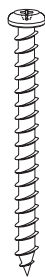
4x10 C/SUNK  
RIVET  
CSKR410



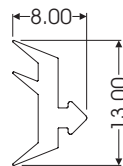
POP RIVET  
4.8x12mm  
CSKR4812



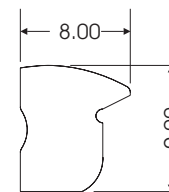
FINPILE  
FP69600FG



8x40 P/HEAD POSI  
S/S SCREW  
SC0840P

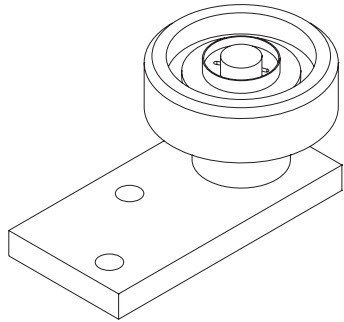


BUTTERFLY H13  
CLPIV4FG

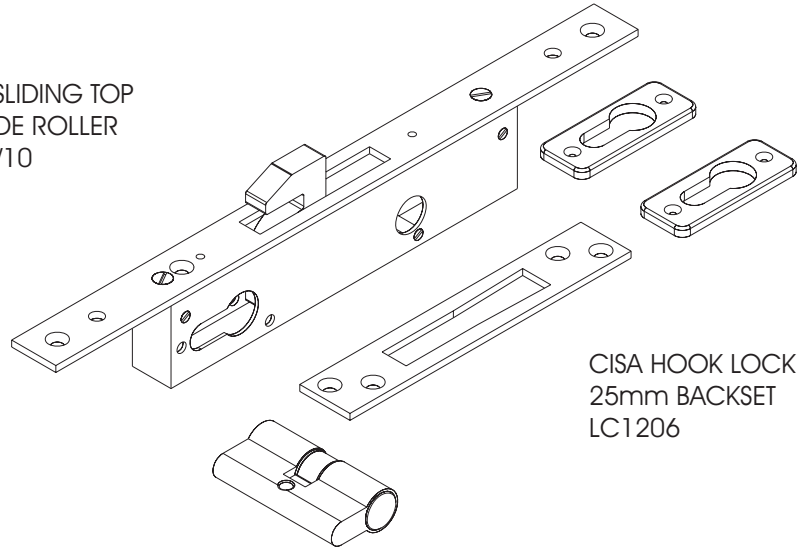


WEDGE H2  
CLRIV65FG

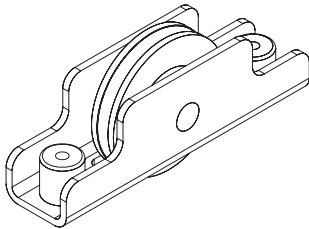
# SHEERFRONT CLIP 15 SYSTEM SLIDING DOOR INSERT HARDWARE IDENTIFICATION



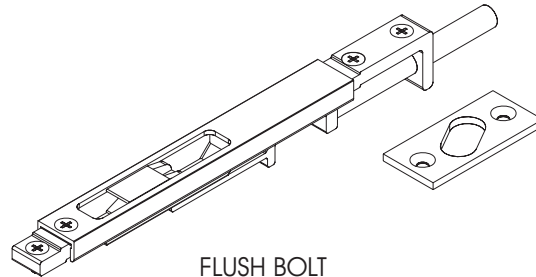
S/F SLIDING TOP  
GUIDE ROLLER  
SHW10



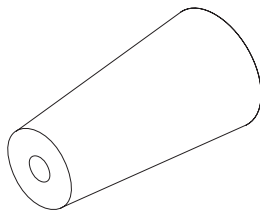
CISA HOOK LOCK  
25mm BACKSET  
LC1206



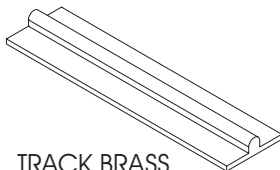
ROLLER  
NYLON HEAVY DUTY  
SHW08



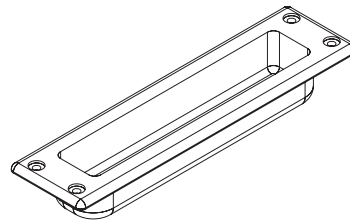
FLUSH BOLT  
SHW04



STOPPER  
HWP27

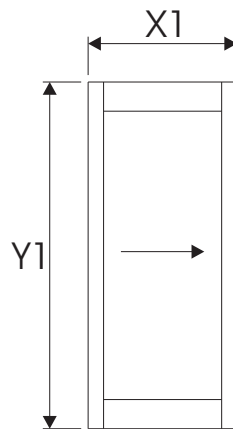


TRACK BRASS  
SHOPFRONT 5M  
BR915B



FLUSH PULL HANDLE  
PVC (BLACK OR WHITE)  
SHW37K

SHEERFRONT CLIP 15 SYSTEM  
SLIDING DOOR LEAF  
SIZE LIMITATION GUIDE

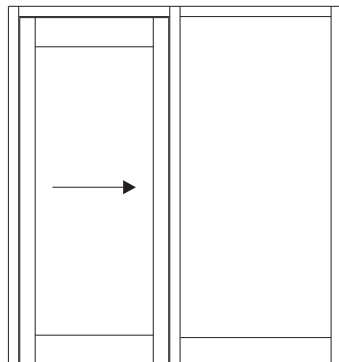


MAXIMUM DOOR LEAF WIDTH: X1 = 1500mm  
MAXIMUM DOOR LEAF HEIGHT: Y1 = 3000mm

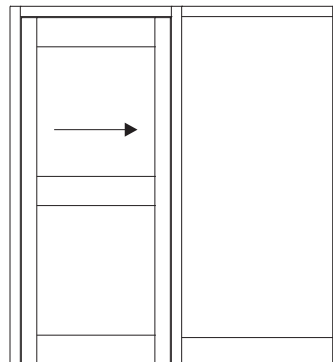
# SHEERFRONT CLIP 15 SYSTEM SLIDING DOOR TYPICAL CONFIGURATIONS



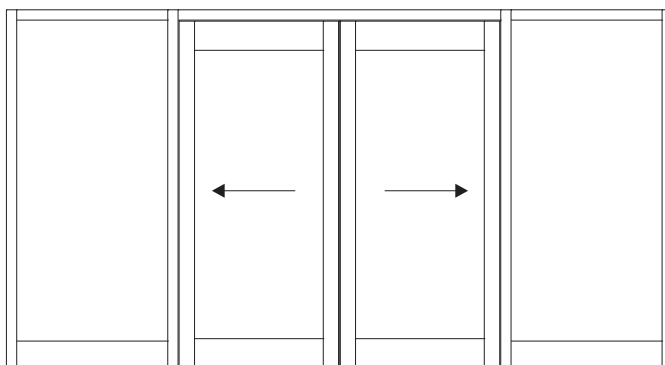
SINGLE SLIDING DOOR



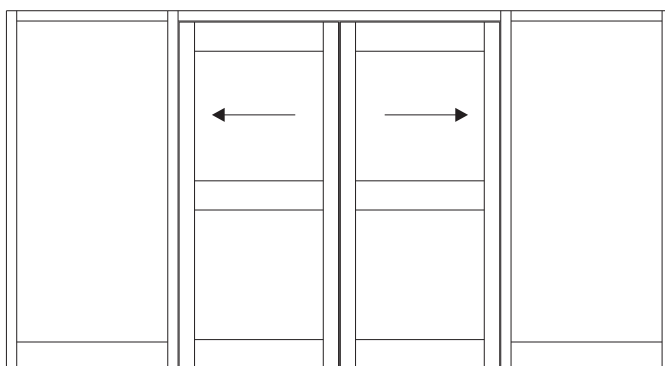
SINGLE SLIDING DOOR  
WITH MIDRAIL



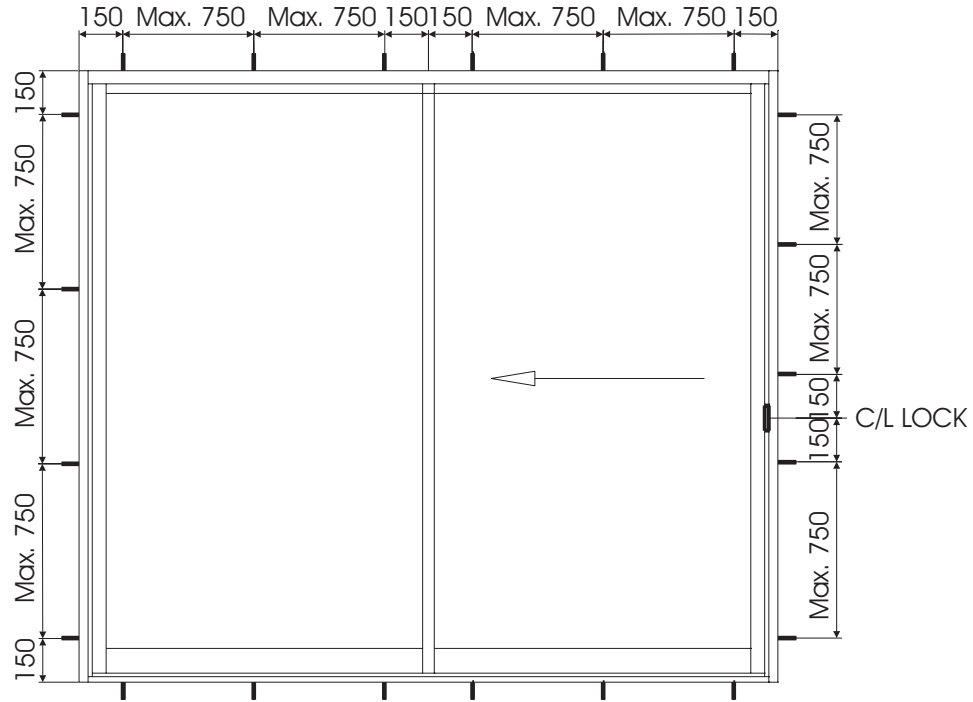
DOUBLE SLIDING DOOR



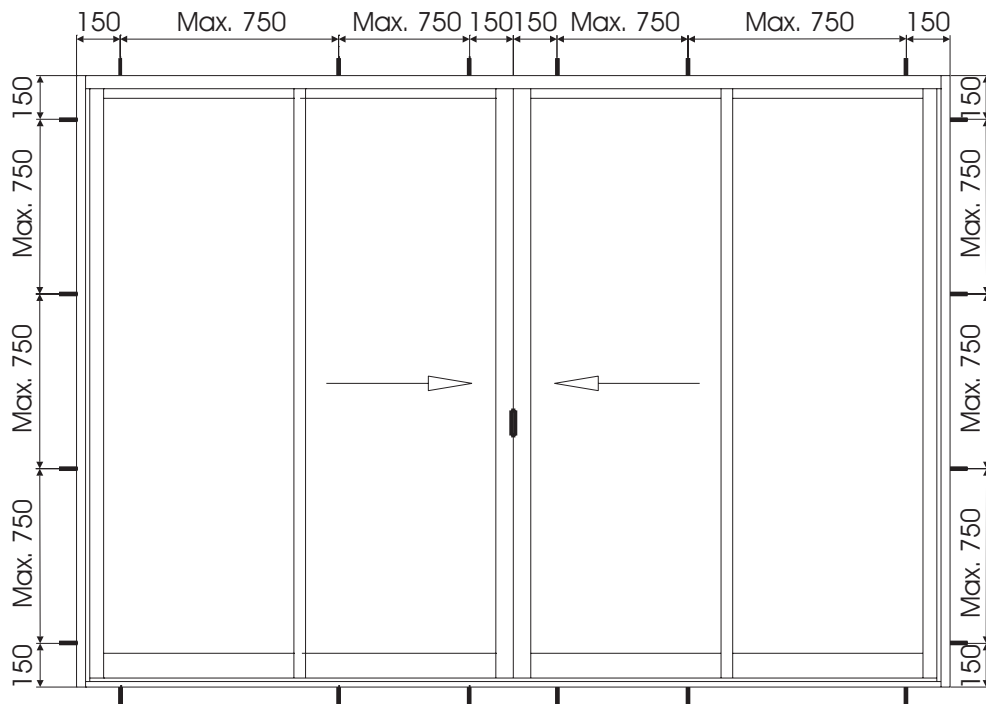
DOUBLE SLIDING DOOR  
WITH MIDRAIL



# SHEERFRONT CLIP 15 SYSTEM SLIDING DOOR FIXING DETAILS

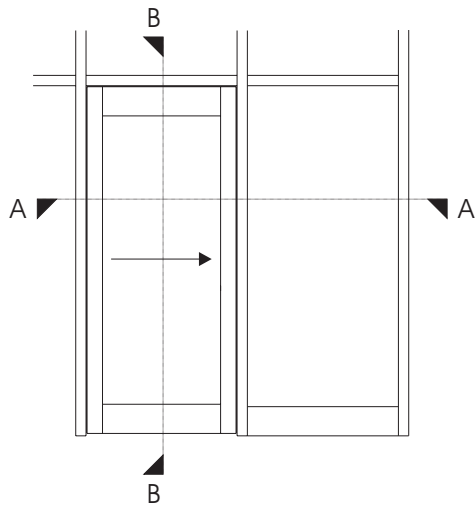


TYPICAL OX SLIDING DOOR &  
HORIZONTAL SLIDING WINDOW

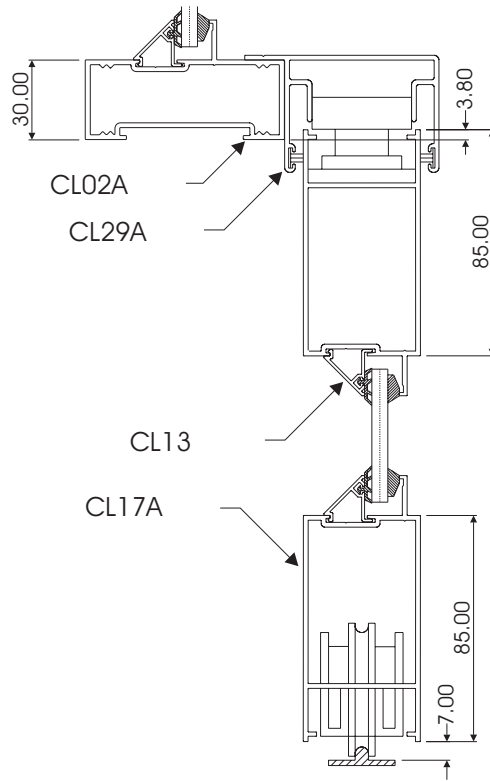


TYPICAL OXXO SLIDING DOOR &  
HORIZONTAL SLIDING WINDOW

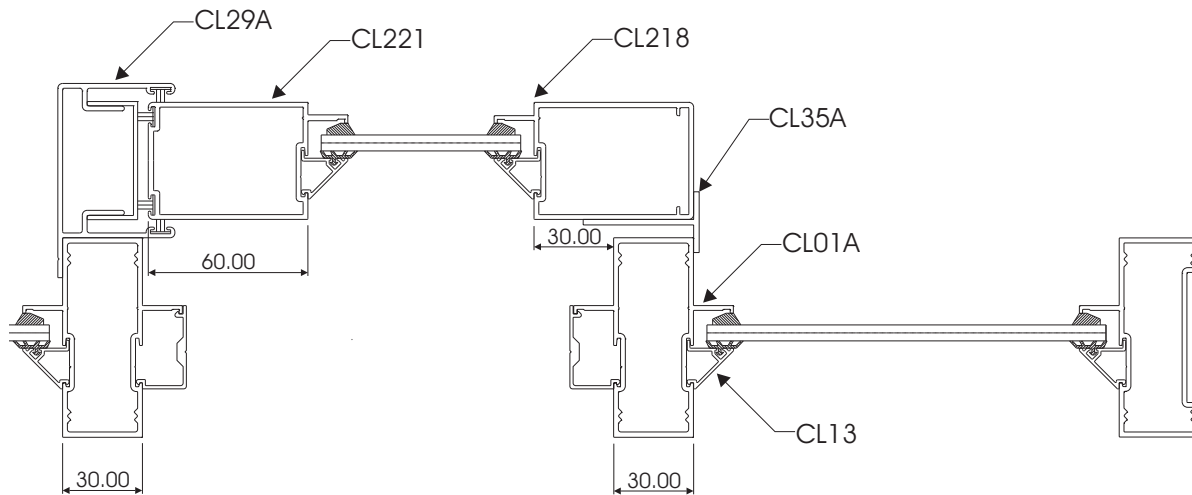
# SHEERFRONT CLIP 15 SYSTEM SINGLE SLIDING DOOR CROSS SECTIONAL DETAIL



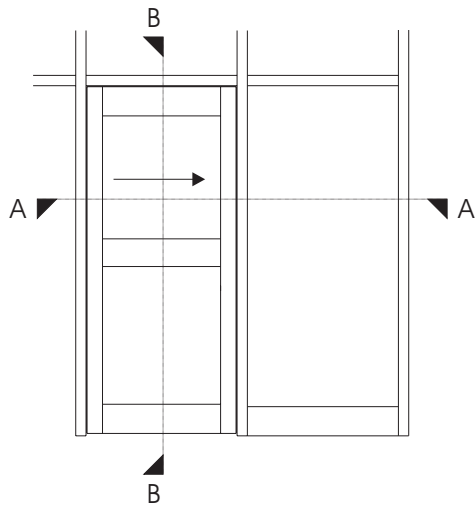
SECTION B - B



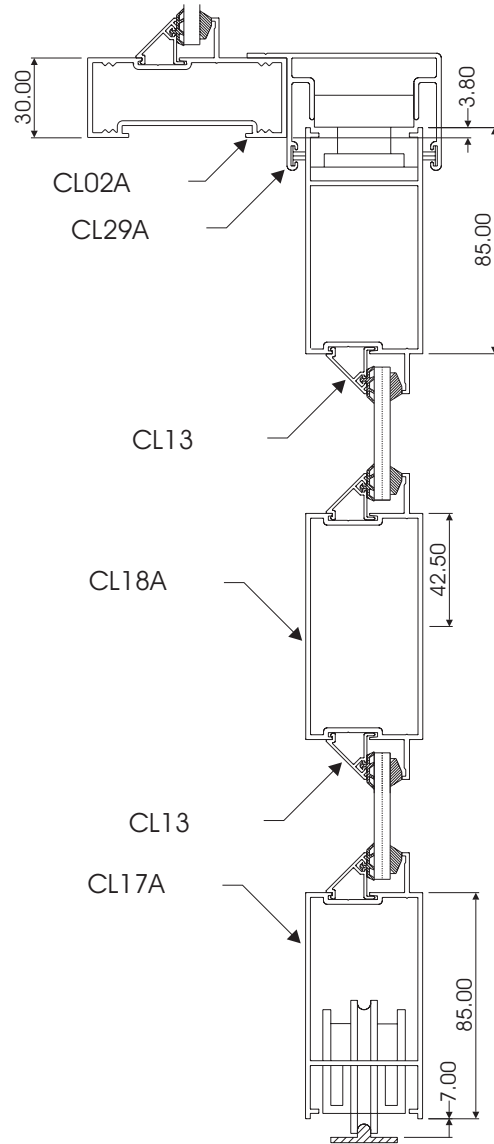
SECTION A - A



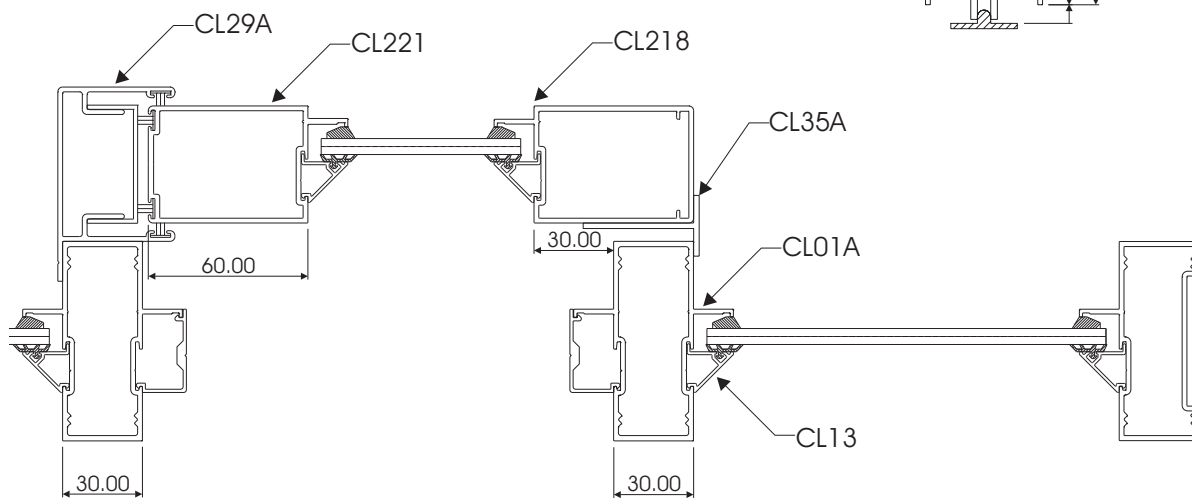
SHEERFRONT CLIP 15 SYSTEM  
 SINGLE SLIDING DOOR  
 WITH MIDRAIL  
 CROSS SECTIONAL DETAIL



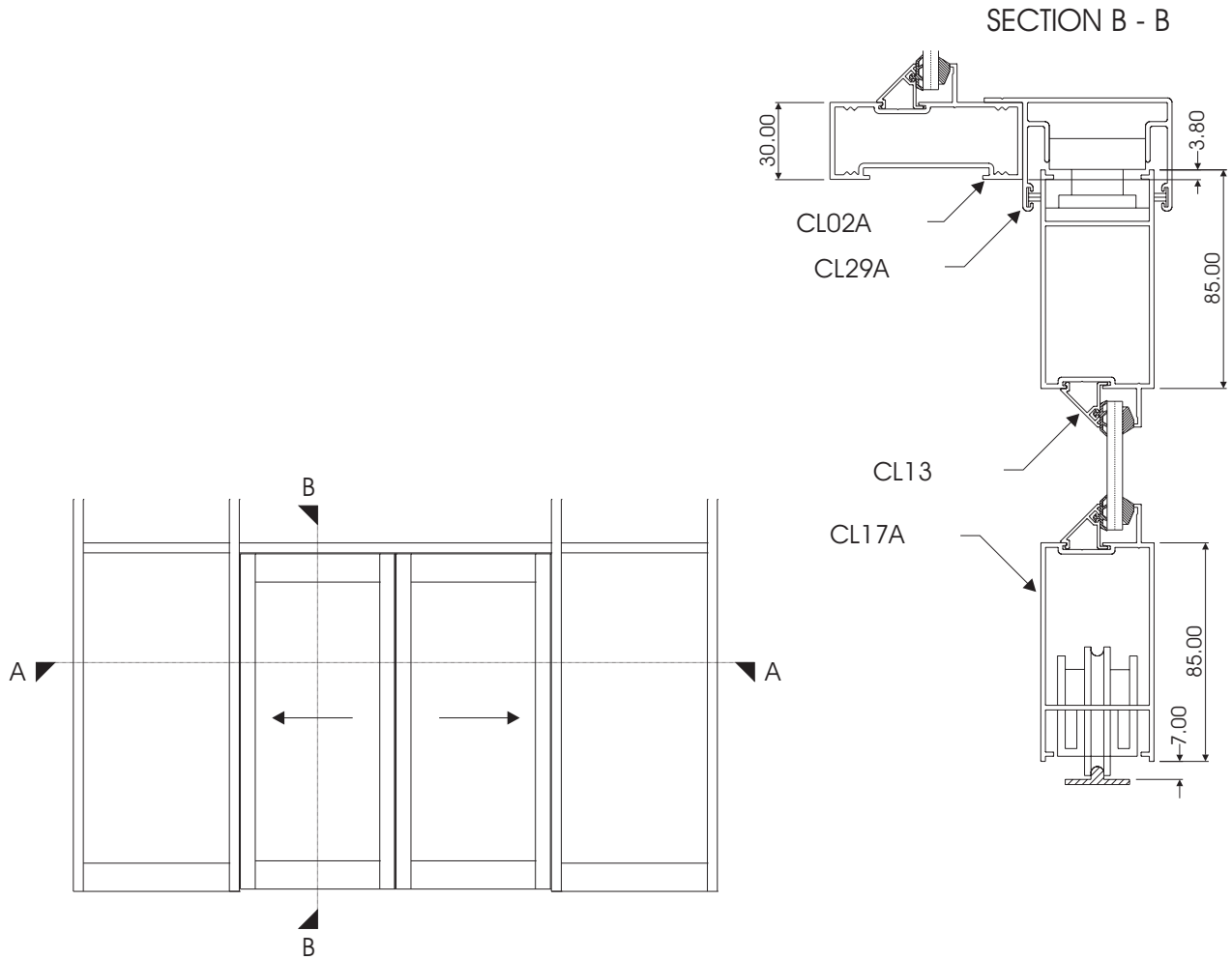
SECTION B - B



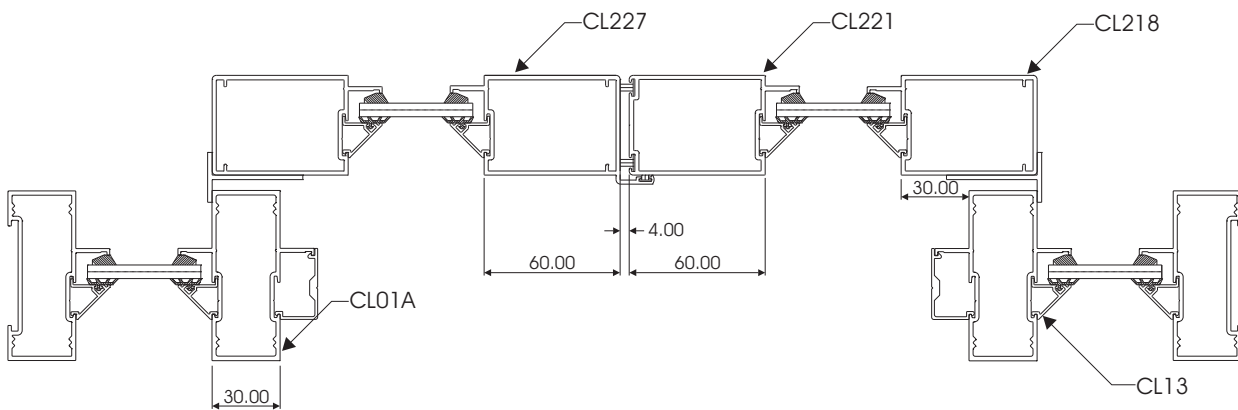
SECTION A - A



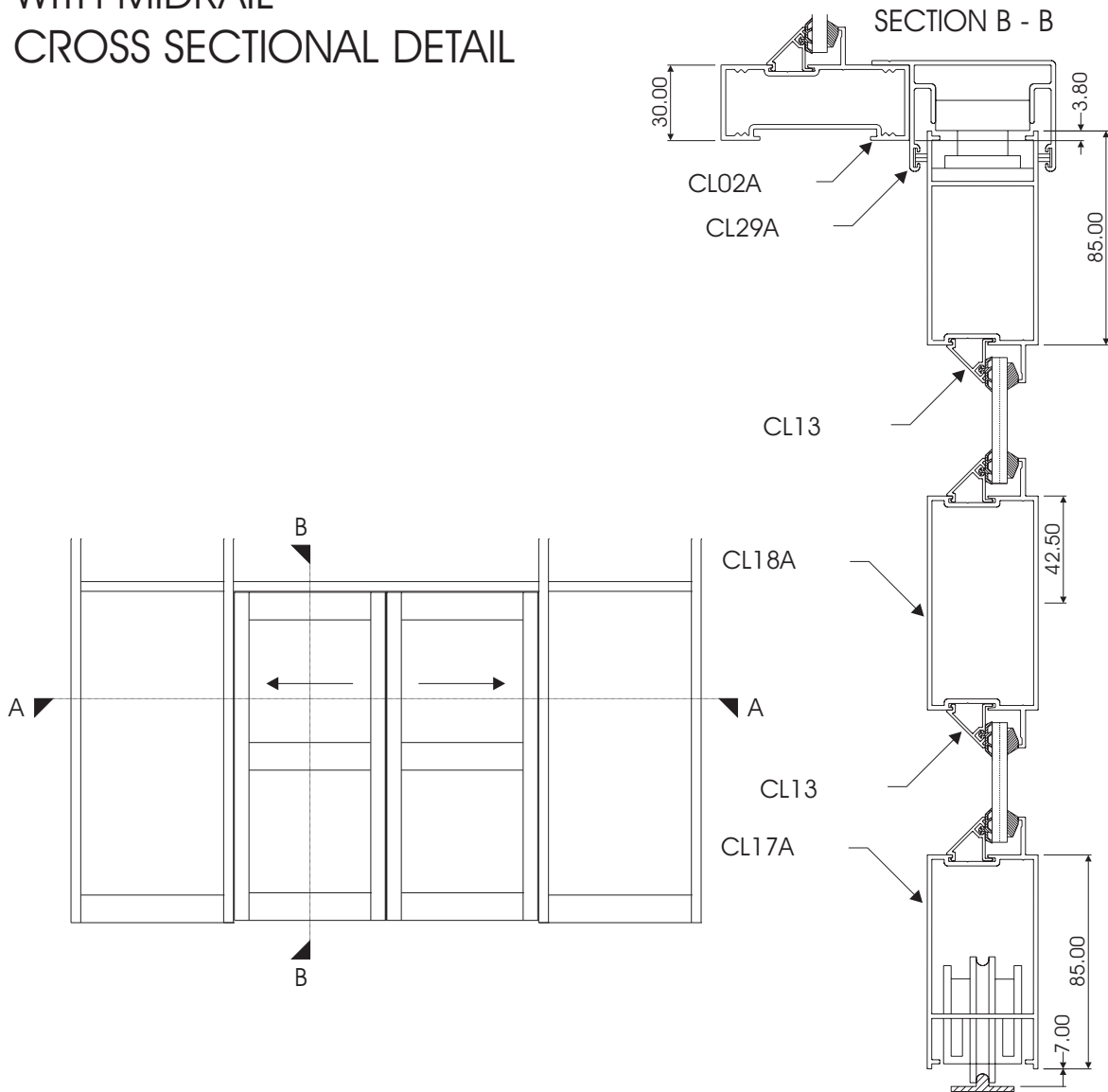
# SHEERFRONT CLIP 15 SYSTEM DOUBLE SLIDING DOOR CROSS SECTIONAL DETAIL



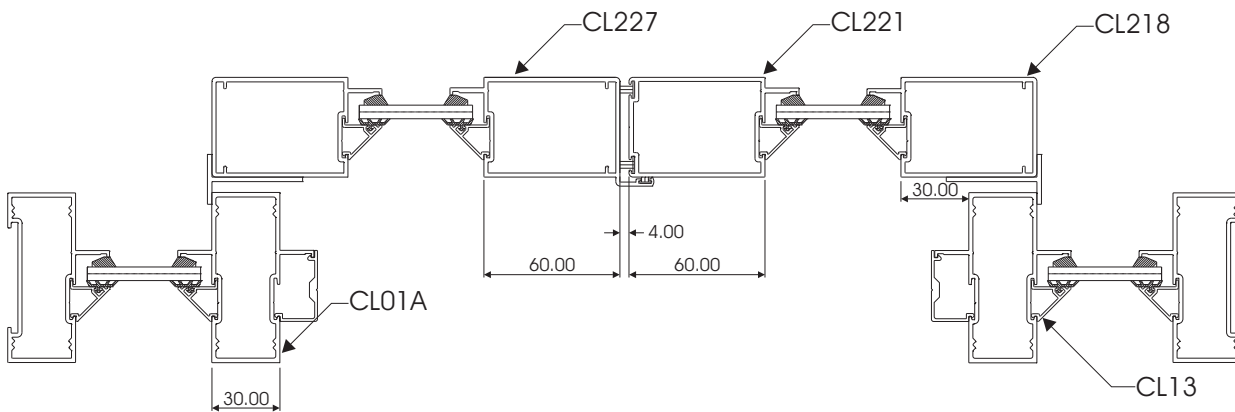
## SECTION A - A



SHEERFRONT CLIP 15 SYSTEM  
 DOUBLE SLIDING DOOR  
 WITH MIDRAIL  
 CROSS SECTIONAL DETAIL

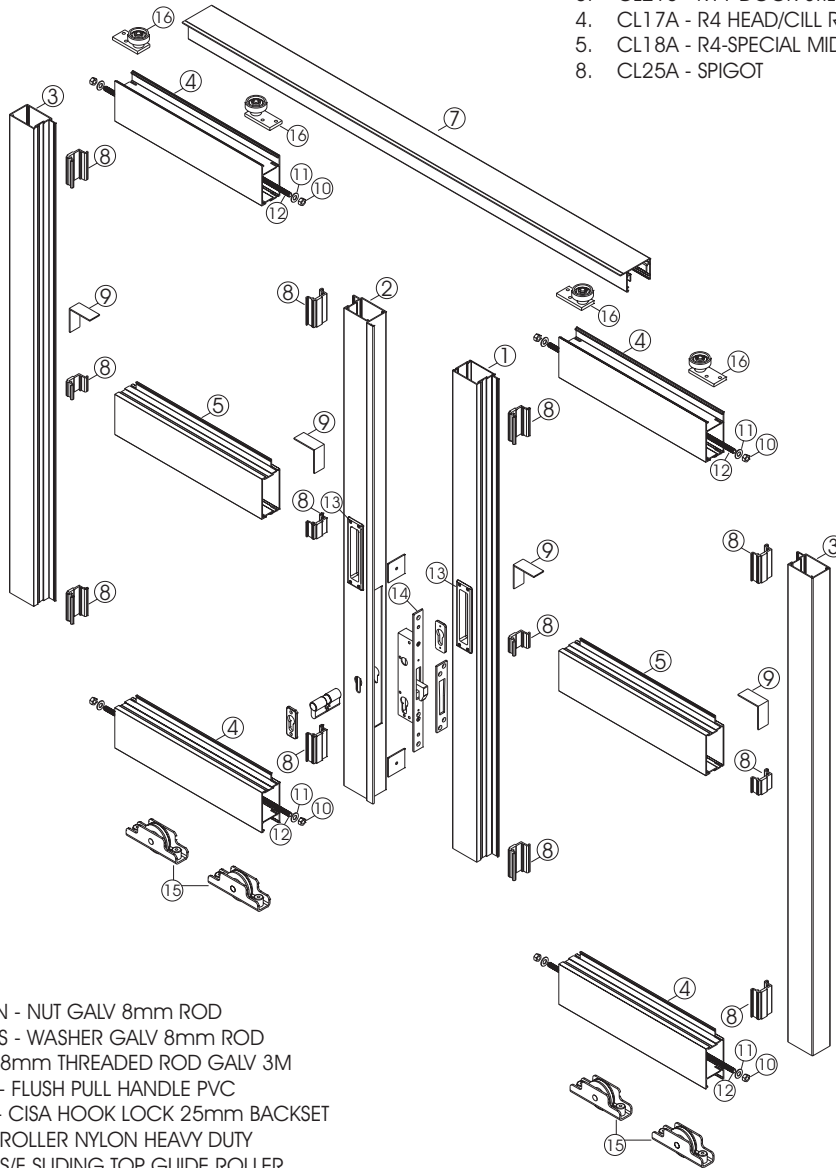


SECTION A - A



# SHEERFRONT CLIP 15 SYSTEM SLIDING DOOR COMPONENT ASSEMBLY DETAIL

1. CL221 - R11W D/STILE 60mm W/PILE
2. CL227 - R11SP D/STILE 60mm
3. CL218 - R11 DOOR STILE 60MM
4. CL17A - R4 HEAD/CILL RAIL 85mm
5. CL18A - R4-SPECIAL MID RAIL 85mm
8. CL25A - SPIGOT



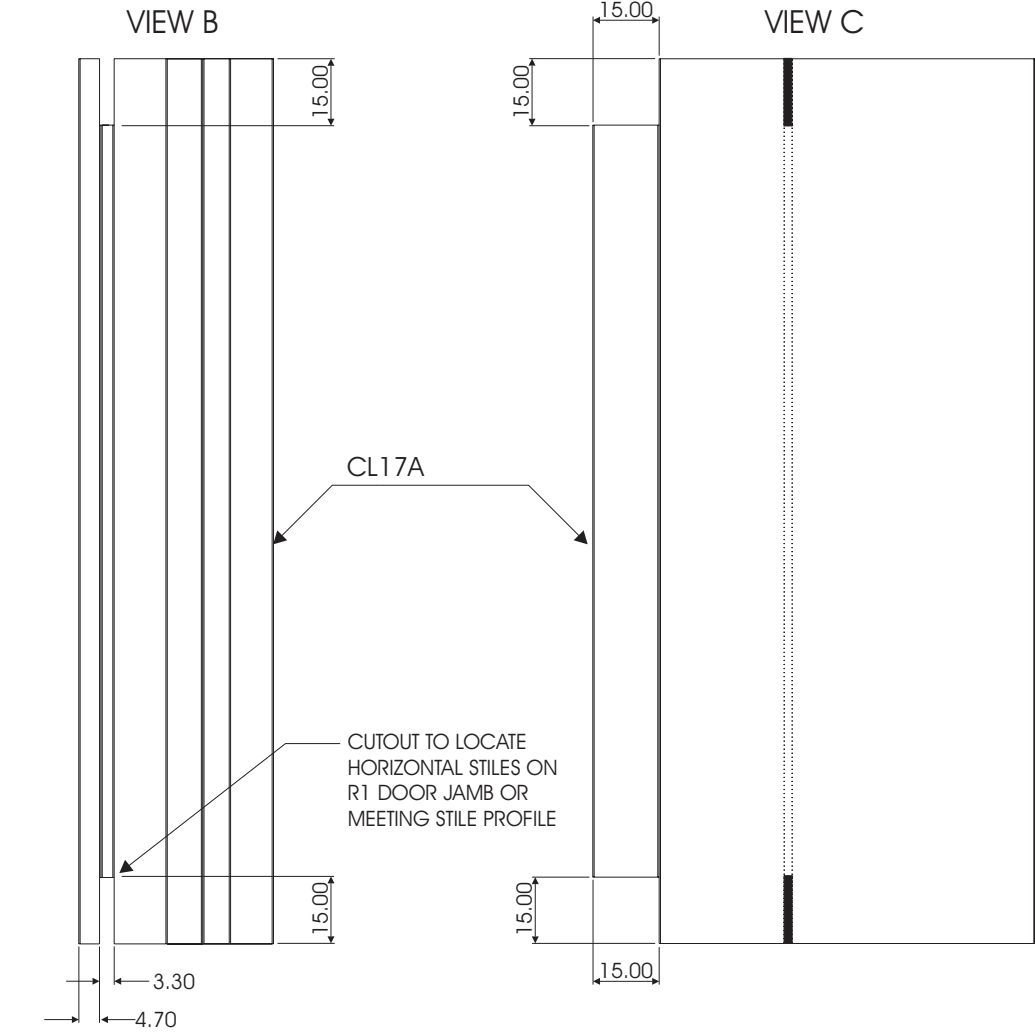
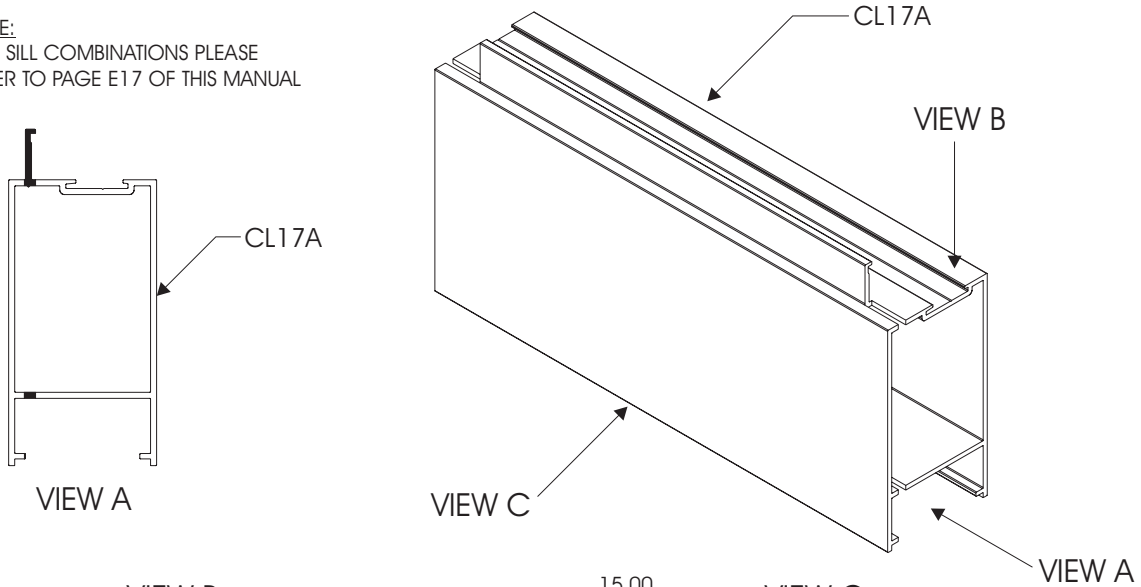
10. SHW07HN - NUT GALV 8mm ROD
11. SHW07WS - WASHER GALV 8mm ROD
12. SHW07 - 8mm THREADED ROD GALV 3M
13. SHW37K - FLUSH PULL HANDLE PVC
14. LC1206 - CISA HOOK LOCK 25mm BACKSET
15. SHW08 - ROLLER NYLON HEAVY DUTY
16. SHW10 - S/F SLIDING TOP GUIDE ROLLER

HANDLE MACHINING DETAIL SEE PAGE E23  
 LOCK MACHINING DETAIL SEE PAGE E25  
 ROLLER MACHINING DETAIL SEE PAGE E27  
 TOP GUIDE MACHINING DETAIL SEE PAGE E28

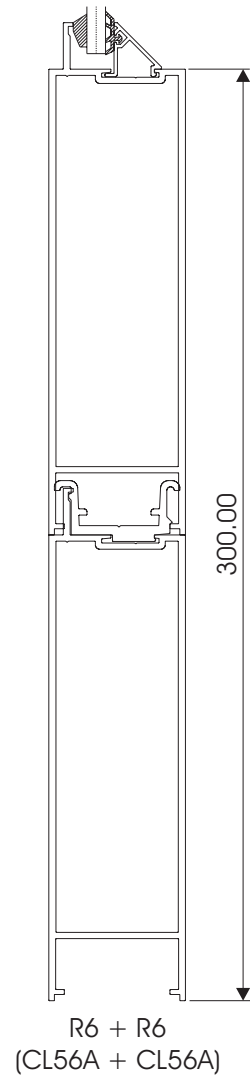
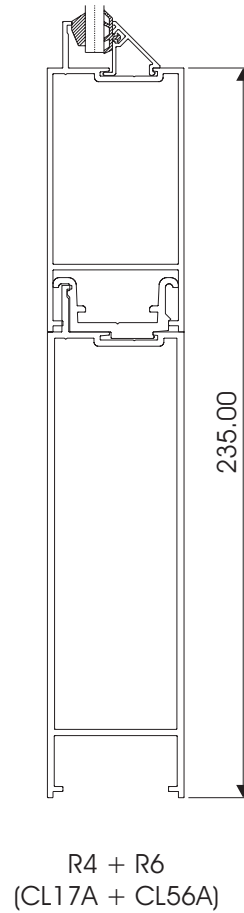
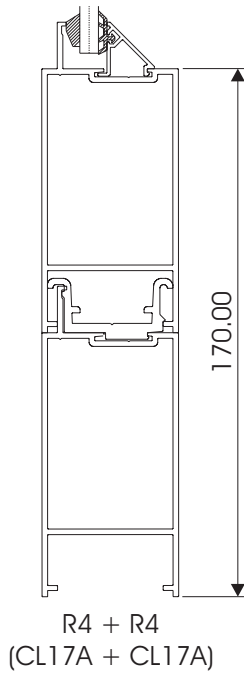
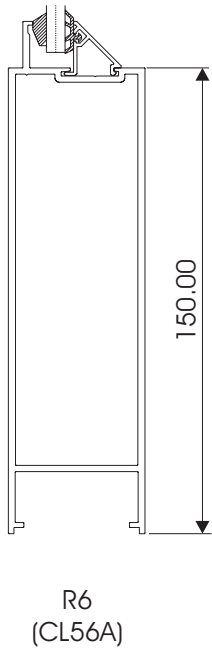
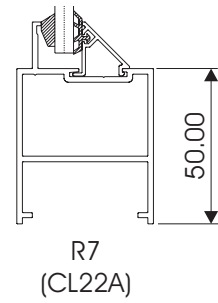
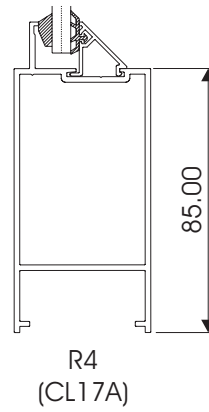
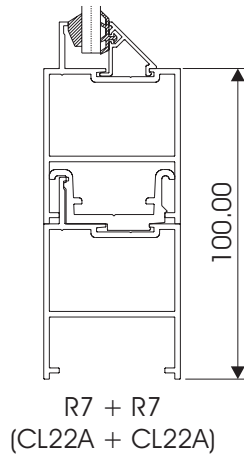
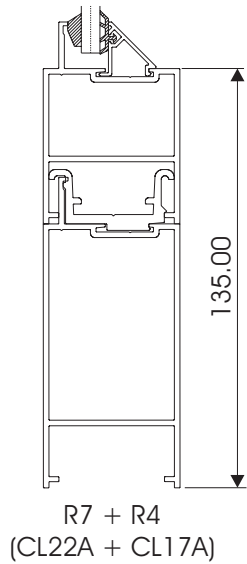
# SHEERFRONT CLIP 15 SYSTEM SLIDING DOOR SILL MACHINING DETAIL TO SUIT ALL SILL COMBINATIONS



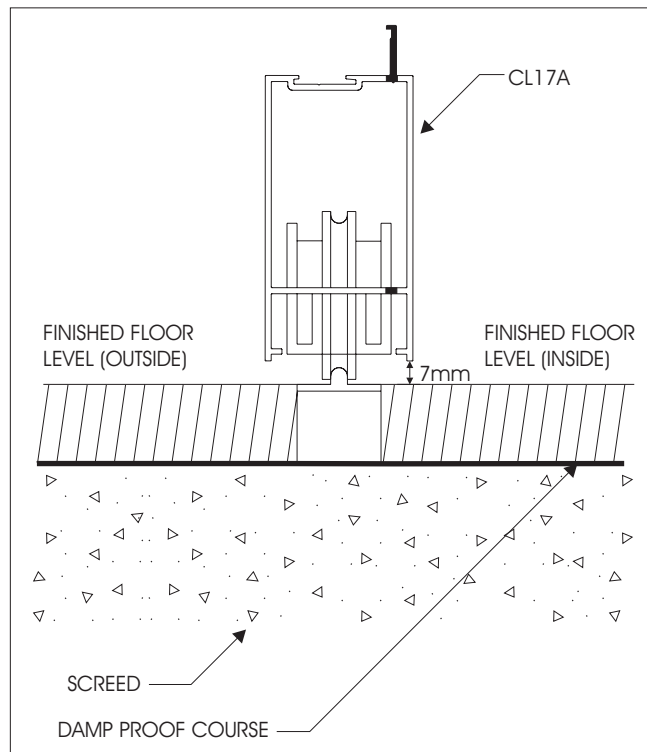
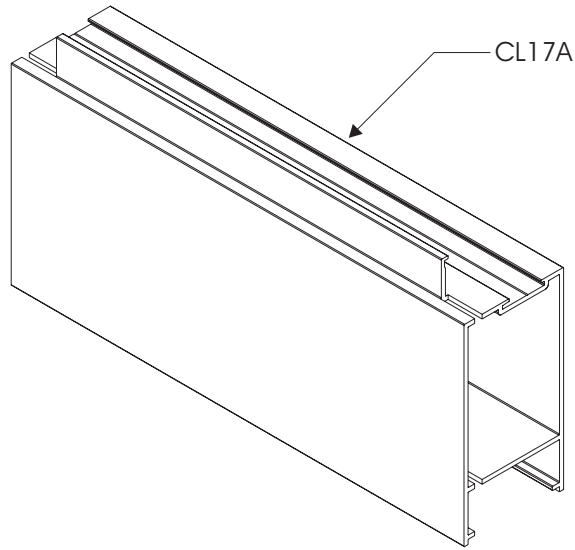
NOTE:  
FOR SILL COMBINATIONS PLEASE  
REFER TO PAGE E17 OF THIS MANUAL



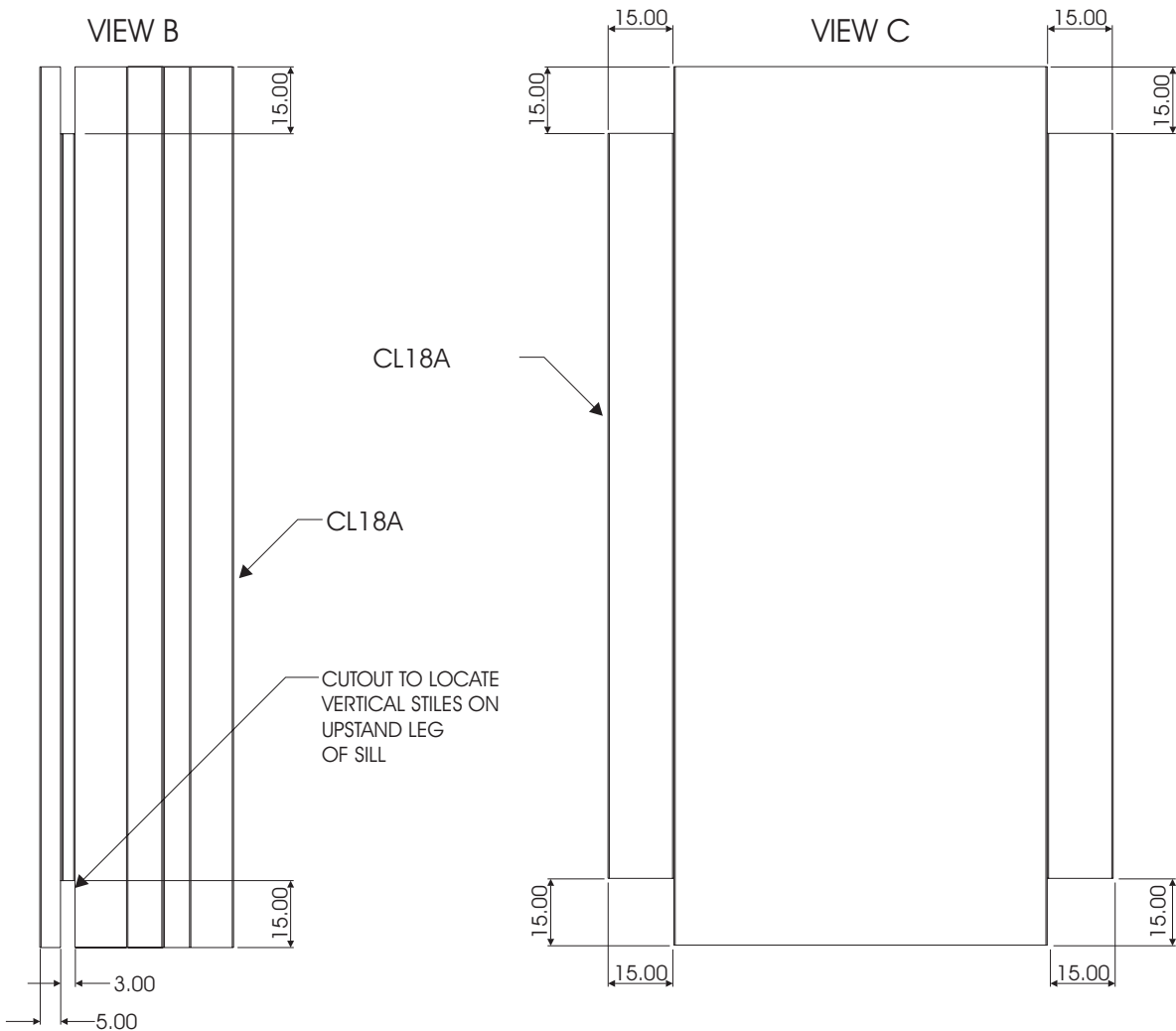
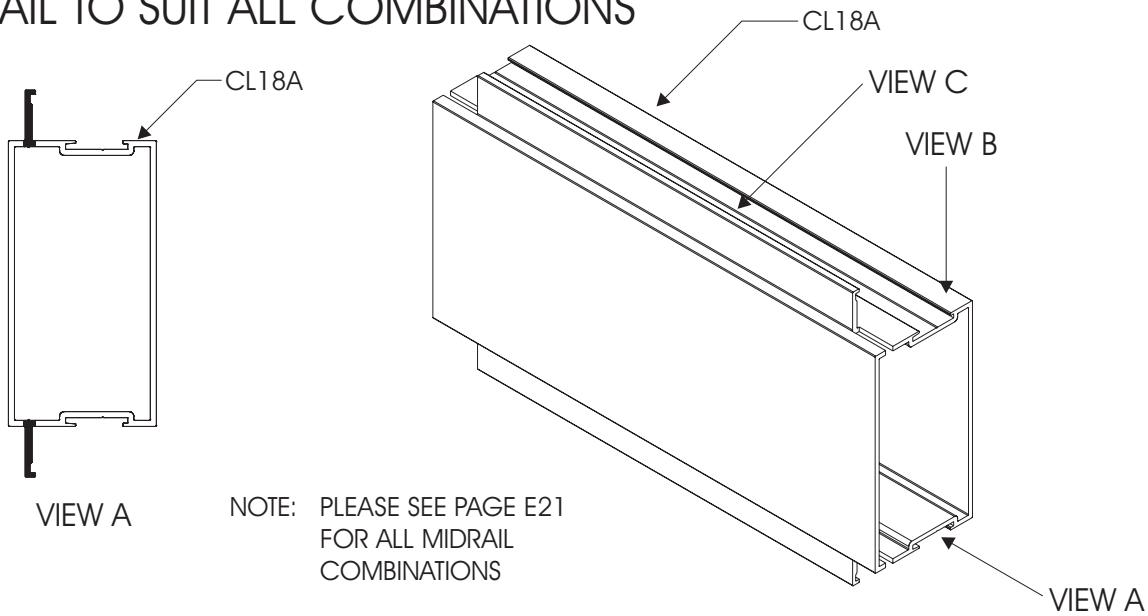
# SHEERFRONT CLIP 15 SYSTEM SILL COMBINATIONS



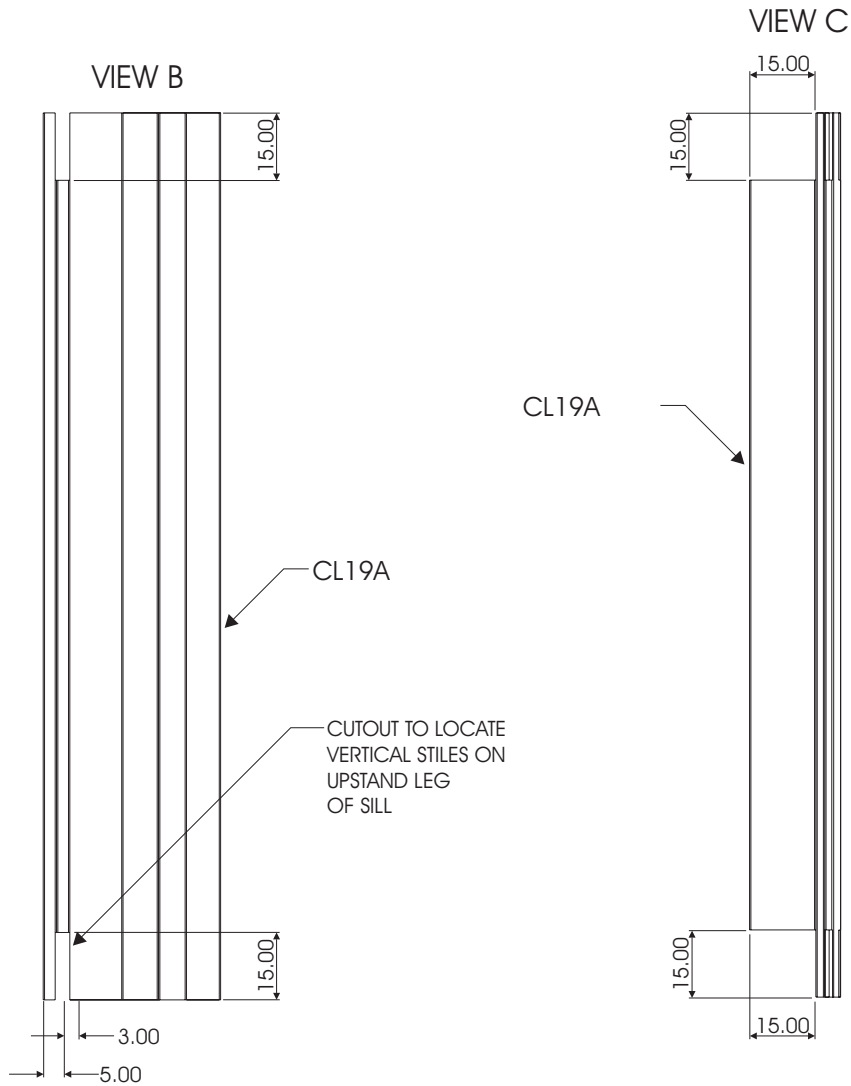
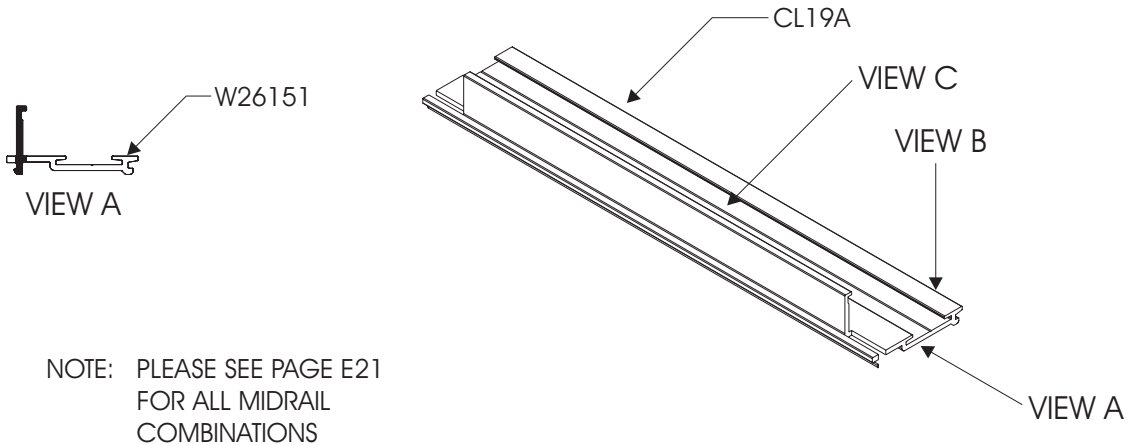
SHEERFRONT CLIP 15 SYSTEM  
SLIDING DOOR SILL  
FLOOR LEVEL DETAIL



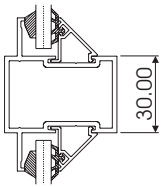
# SHEERFRONT CLIP 15 SYSTEM SLIDING DOOR MIDRAIL MACHINING DETAIL TO SUIT ALL COMBINATIONS



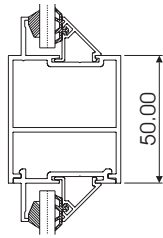
# SHEERFRONT CLIP 15 SYSTEM R4 FILLER ADAPTOR MACHINING DETAIL



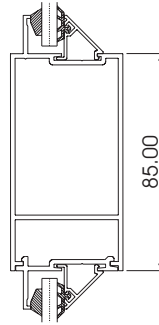
# SHEERFRONT CLIP 15 SYSTEM MIDRAIL COMBINATIONS



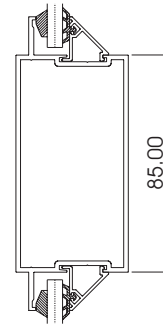
W44  
(CL09A)



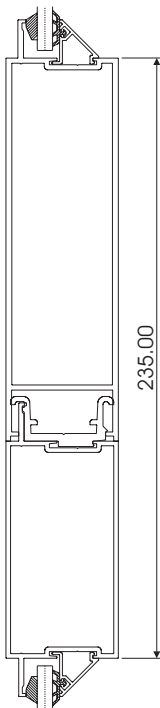
R7 + R4 FILLER  
(CL22A + CL19A)



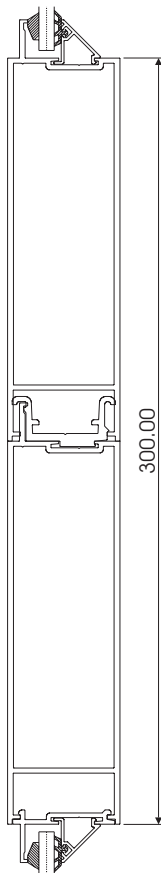
R4 + R4 FILLER  
(CL17A + CL19A)



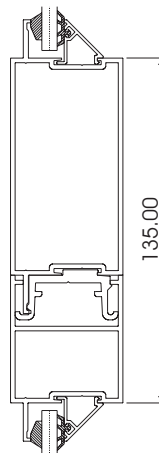
R4SP  
(CL18A)



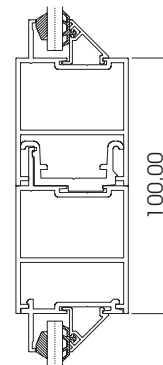
R6 + R4SP  
(CL56A + CL18A)



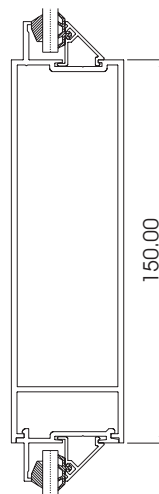
R6 + R6 + R4 FILLER  
(CL56A + CL56A +  
CL19A)



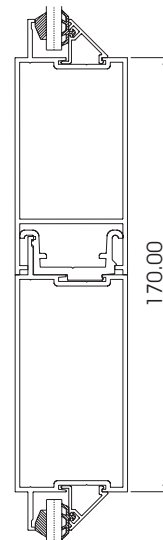
R7 + R4SP  
(CL22A + CL18A)



R7 + R7 + R4 FILLER  
(CL22A + CL22A +  
CL19A)

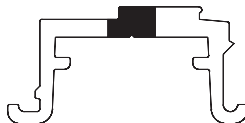
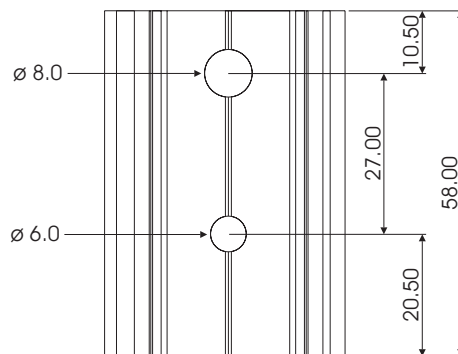
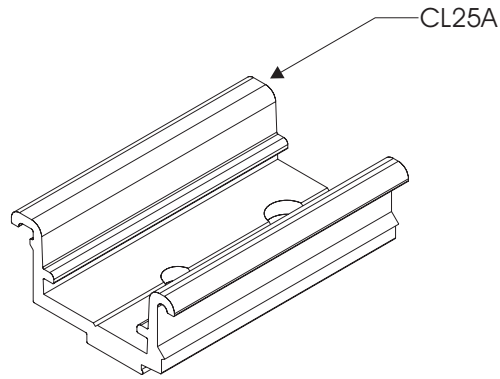


R6 + R4 FILLER  
(CL56A + CL19A)

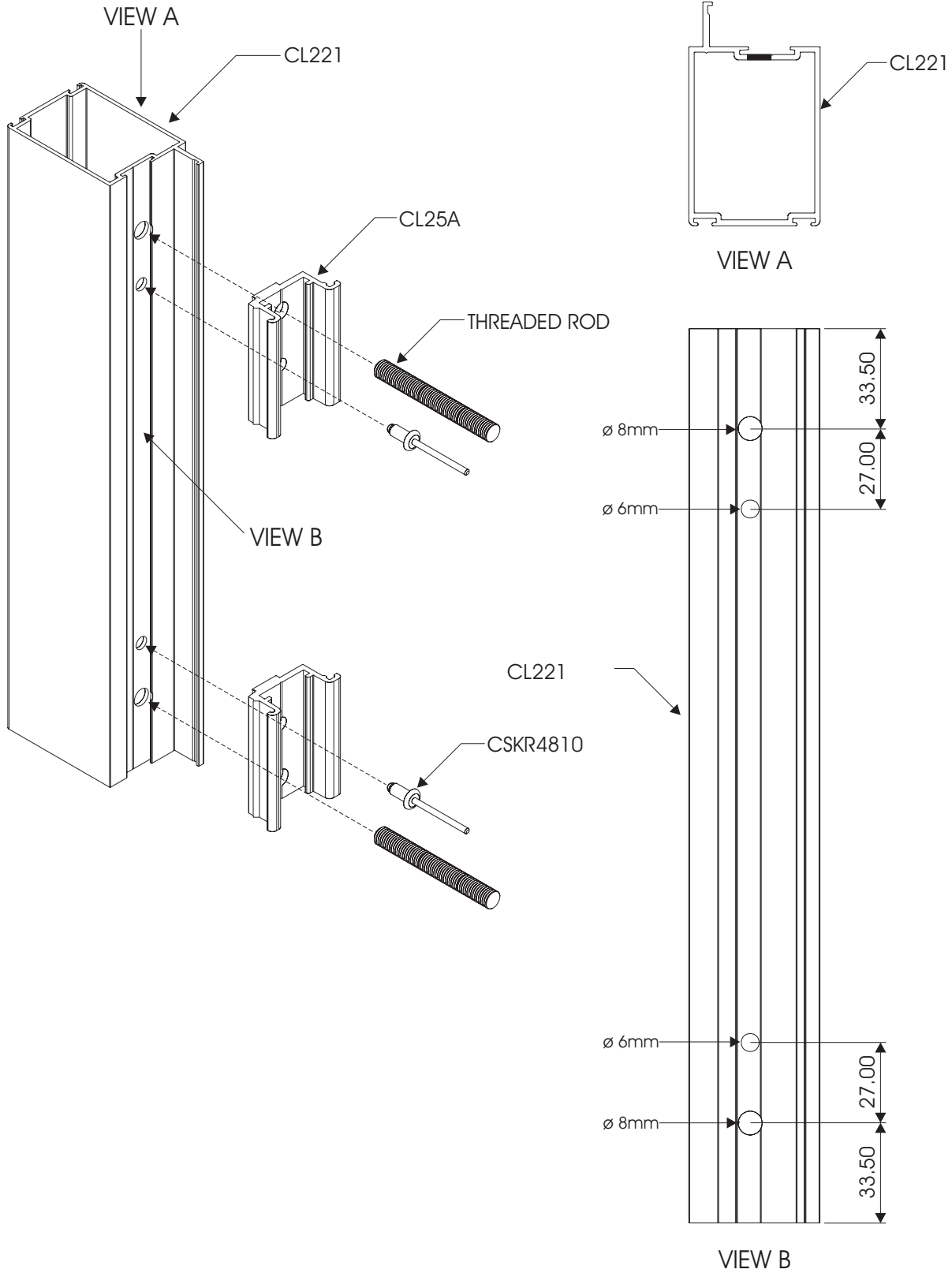


R4 + R4SP  
(CL17A + CL18A)

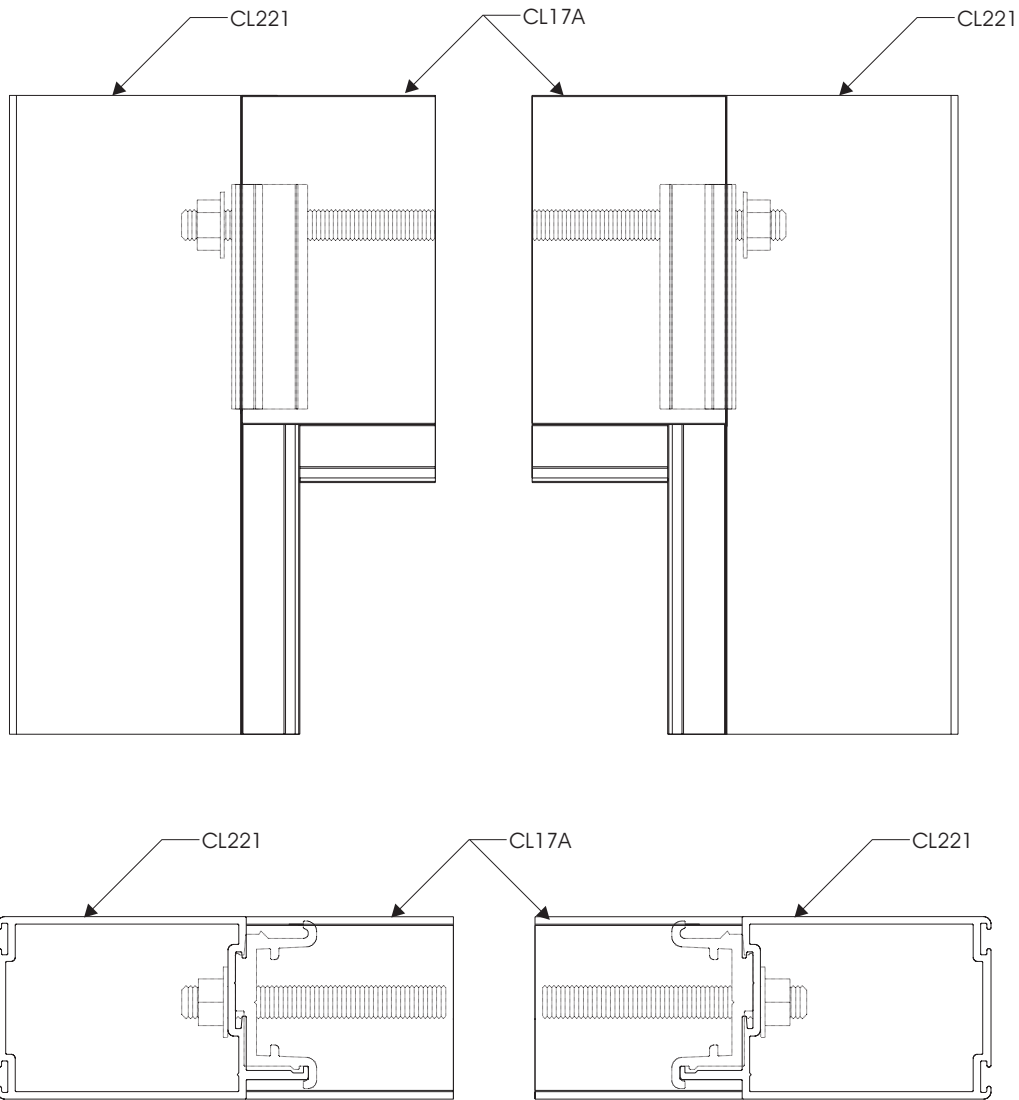
SHEERFRONT CLIP 15 SYSTEM  
SPIGOT MACHINING DETAIL  
CL25A



# SHEERFRONT CLIP 15 SYSTEM DOOR STILE MACHINING DETAIL



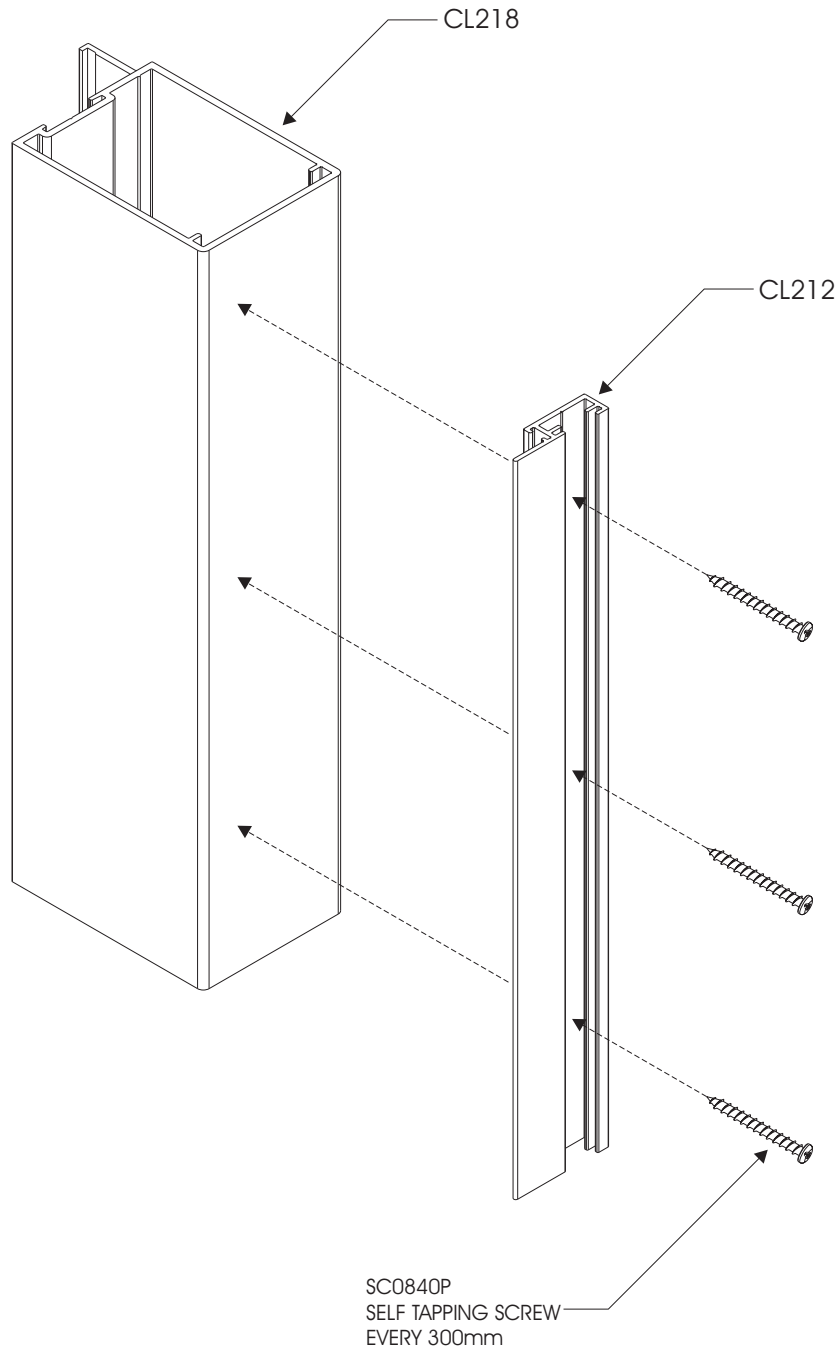
# SHEERFRONT CLIP 15 SYSTEM ROD & SPIGOT ASSEMBLY DETAIL



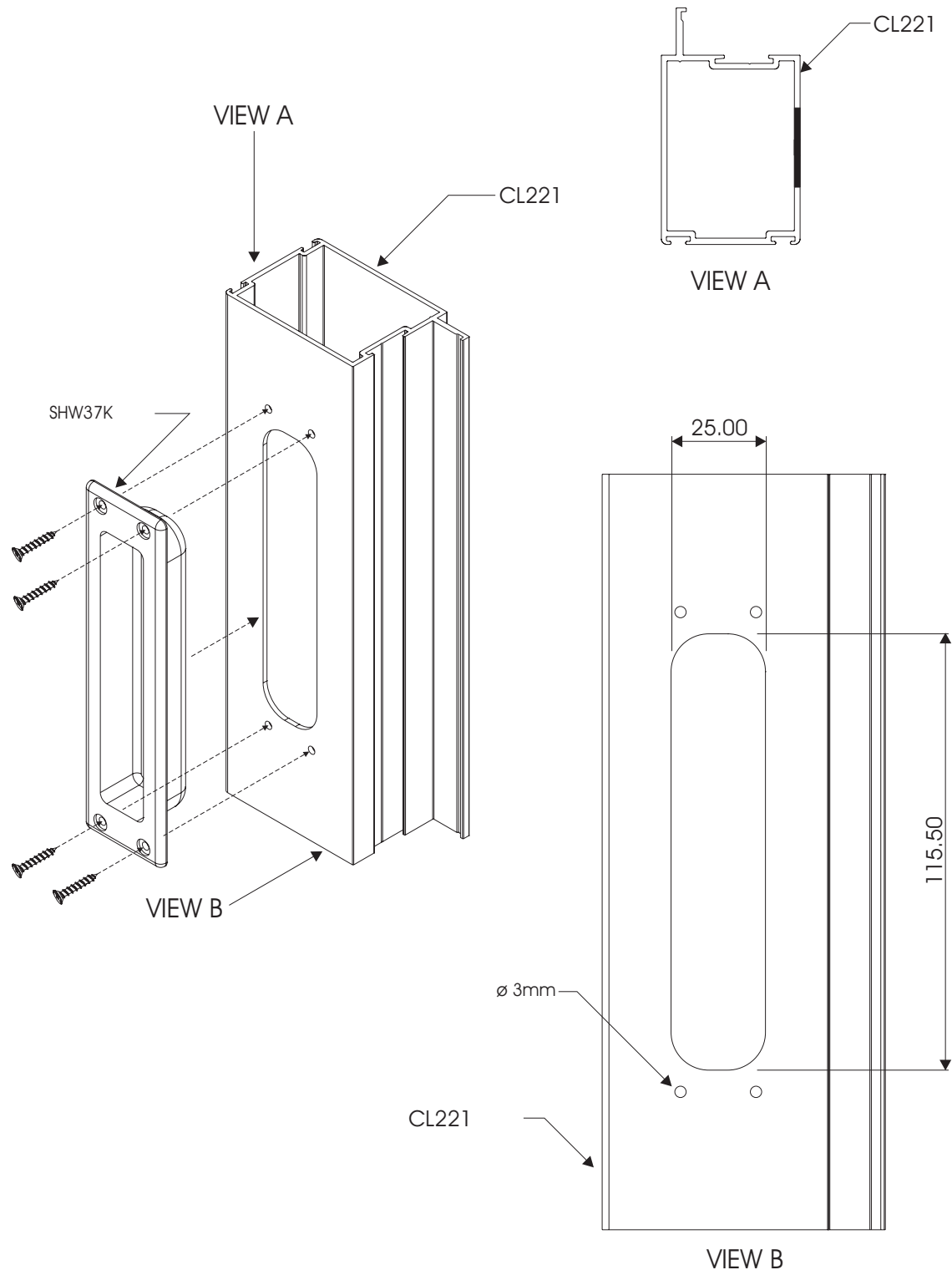
DETAIL TYPICAL TO HEAD AND SILL OF SLIDING DOOR

1. ATTACH SPIGOTS TO STILES WITH NO 8 FIXING SCREWS (SC0840P)
2. FASTEN STILES TO TOP AND BOTTOM RAILS WITH NUTS (SHW07HN) AND THREADED RODS (SHW07). USE WASHERS (SHW07WS).
3. ENSURE ALL MATING JOINTS ARE BEDDED IN SEALANT BEFORE ASSEMBLY.

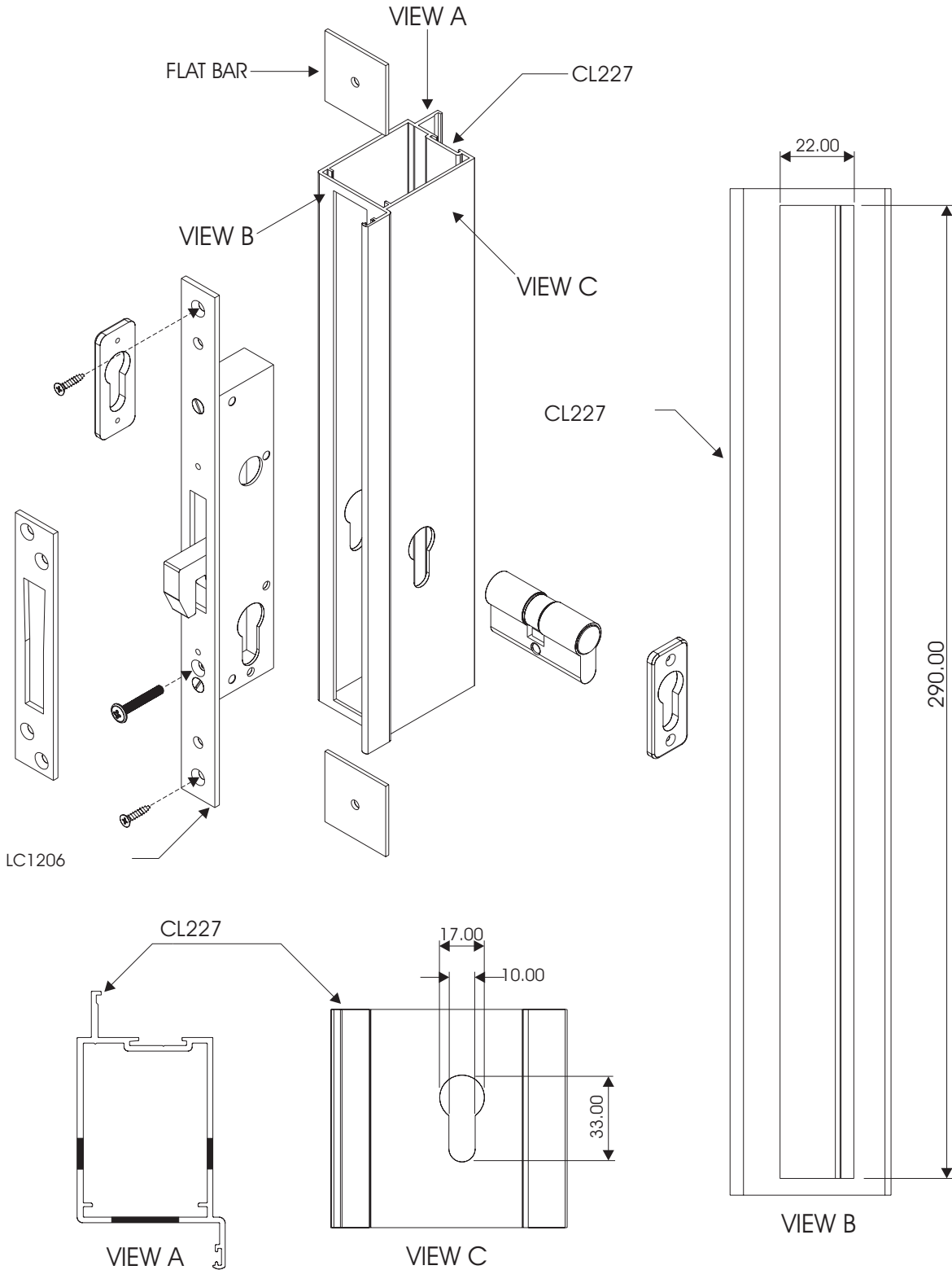
# SHEERFRONT CLIP 15 SYSTEM SLIDING DOOR INTERLOCK ASSEMBLY DETAIL



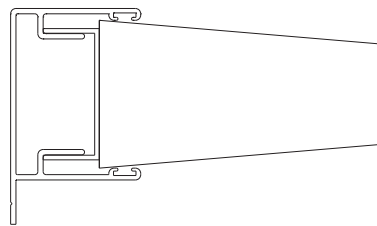
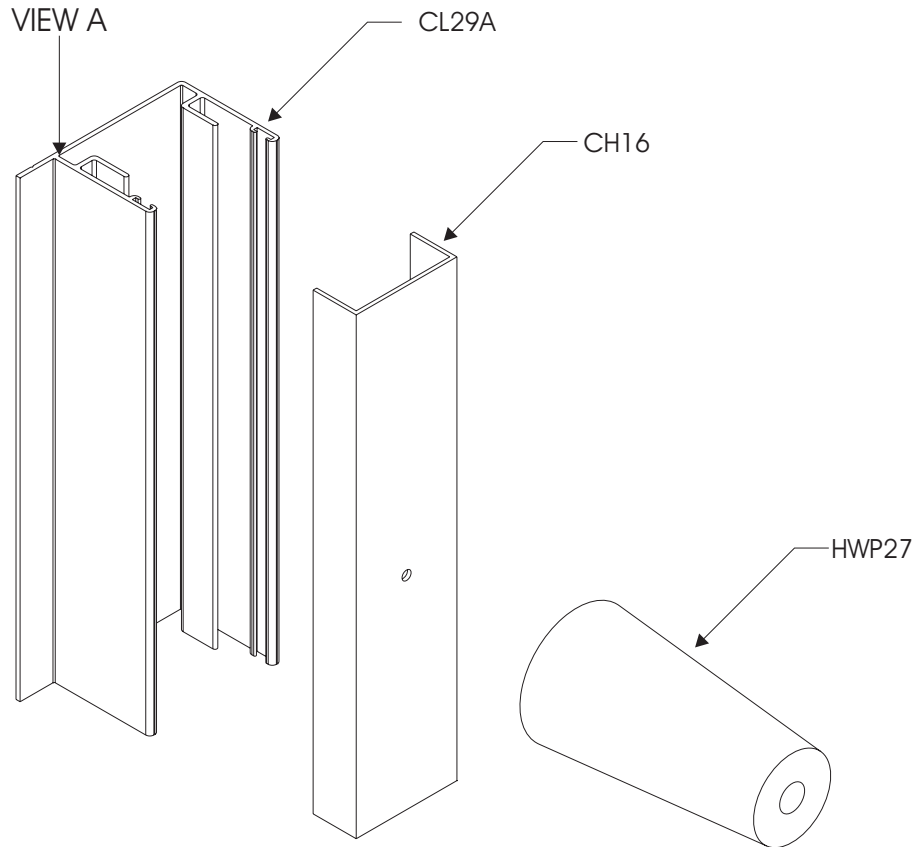
SHEERFRONT CLIP 15 SYSTEM  
SLIDING DOOR HANDLE  
MACHINING DETAIL  
SHW37K



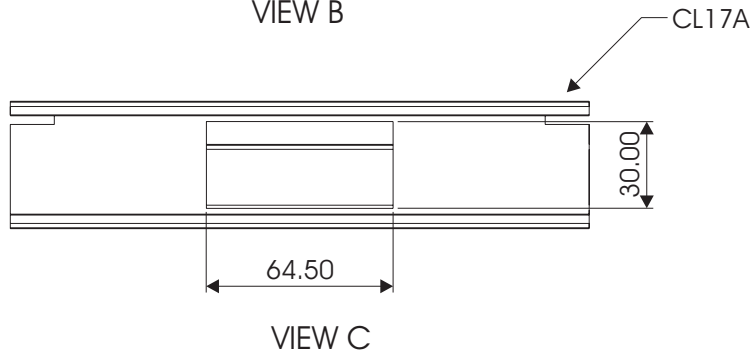
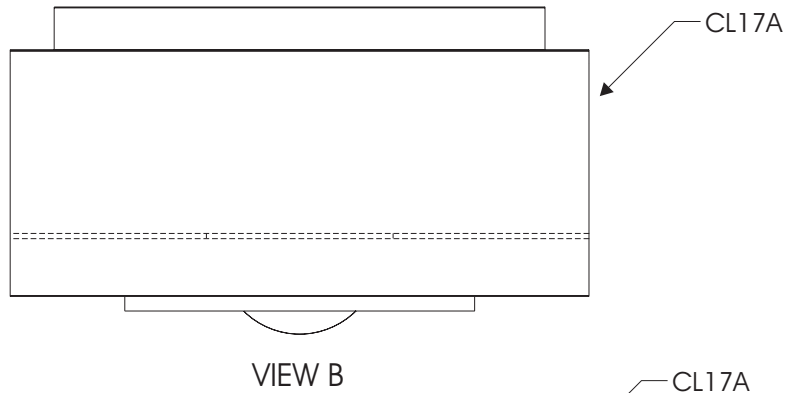
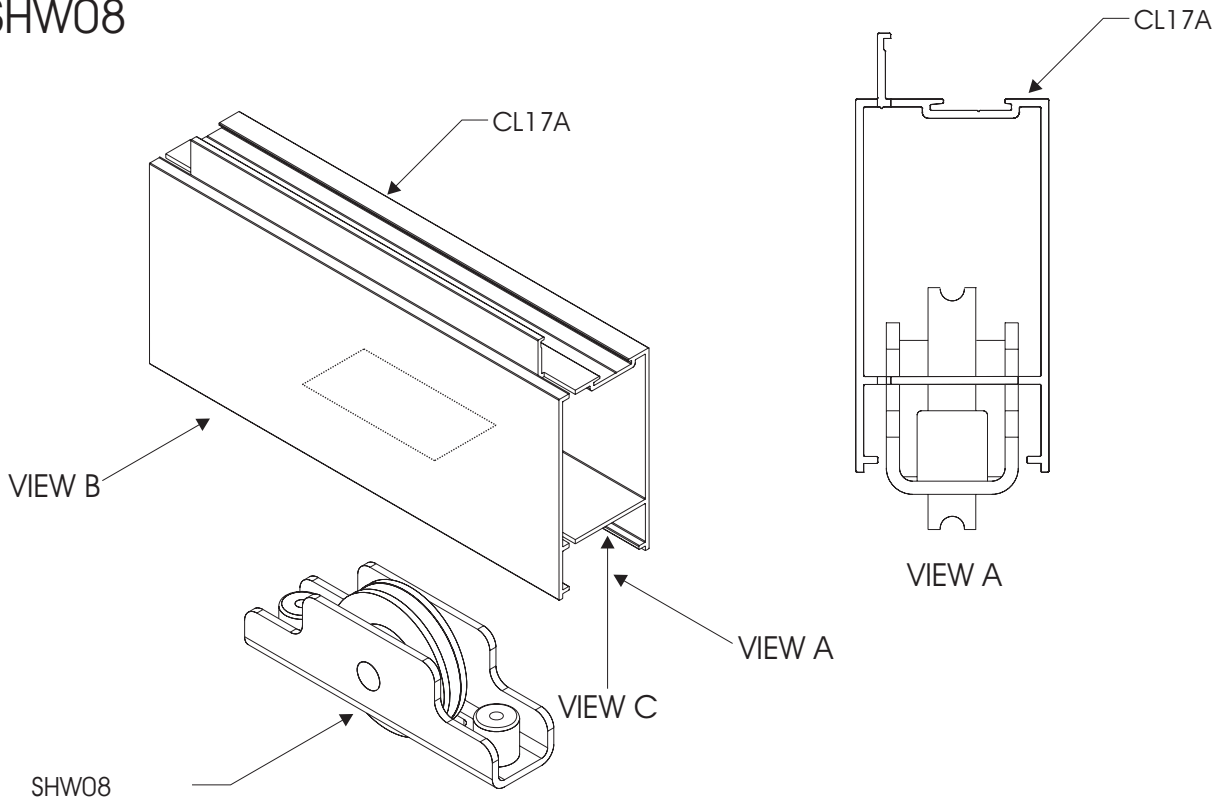
SHEERFRONT CLIP 15 SYSTEM  
 SLIDING DOOR MEETING STILE  
 MACHINING DETAIL FOR LOCK  
 LC1206



SHEERFRONT CLIP 15 SYSTEM  
SLIDING DOOR STOPPER  
MACHINING DETAIL  
HWP27



SHEERFRONT CLIP 15 SYSTEM  
SLIDING DOOR ROLLER  
MACHINING DETAIL  
SHW08



SHEERFRONT CLIP 15 SYSTEM  
SLIDING DOOR TOP GUIDE  
MACHINING DETAIL  
SHW10

