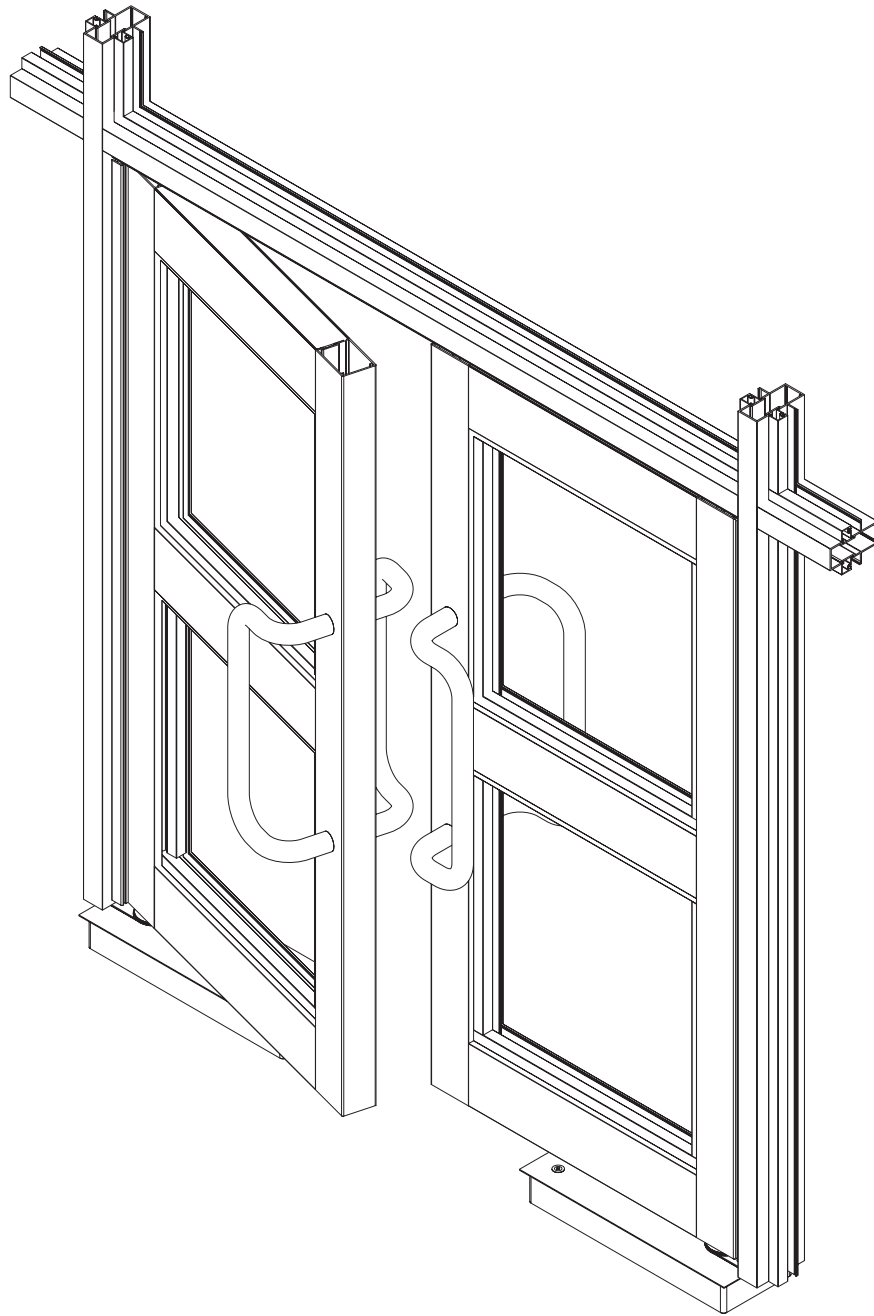




SHEERFRONT CLIP 15 SYSTEM SWING DOORS



PRODUCT MANUAL

Disclaimer: The right to make alterations is reserved

© 2010 Sheerline, All Rights Reserved

Revision: 01/10/2010



LEGAL DISCLAIMER

All information, recommendations or advice contained in this documentation is given in good faith to the best of Sheerline's knowledge and is based on current procedures in effect.

Since the actual use of this documentation by the user is beyond the control of Sheerline, such use is within the exclusive responsibility of the user. Sheerline cannot be held responsible for any loss incurred through incorrect or faulty use of this documentation.

Great care has been taken to ensure that the information provided is correct. Sheerline will accept no responsibility for any errors and/or omissions, which may have inadvertently occurred.

All mechanical joints must be sealed with a Sheerline approved joint sealer.

Laminated glass must not stand in water.

All drawings in the Sheerline Documentation are shown NOT to scale.

Sheerline cannot accept responsibility for the use of standard products since Sheerline does not know where these products are being installed.

The use of anti-magnetic stainless steel screws and pop rivets is recommended to reduce galvanic corrosion in harsh environments.

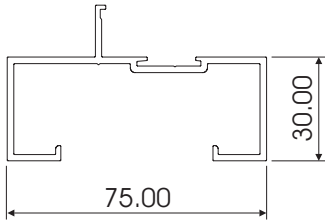
The hardware recommended in this documentation is suitable for use in most atmospheric environments. When hardware is used in severe coastal environments the manufacturer of the hardware must be consulted.

Fixing lugs on frames must be positioned as per the user manual and used in accordance to the AAAMSA specifications. When profiles are screwed together the screw centers must also be according to the user manual.

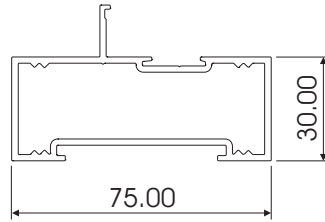
All glass used within Sheerline products must comply with SAGGA regulations.

By continuing to use this documentation you acknowledge that you understand and accept the legal disclaimer.

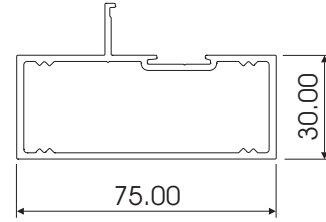
SHEERFRONT CLIP 15 SYSTEM PROFILE IDENTIFICATION



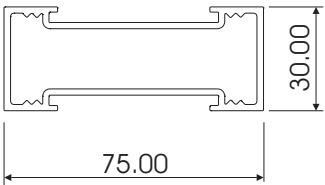
CLIP44 26C JAMB
OPEN BACK
CLO3A



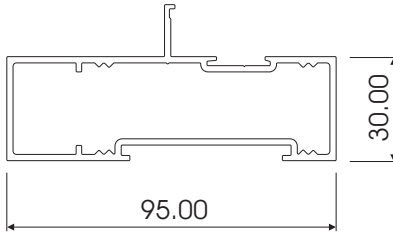
CLIP44 26B
RECESSED BACK
CLO2A



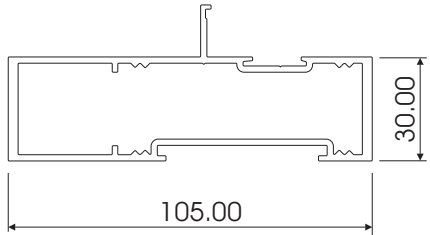
CLIP44 26E
FLAT BACK
CL49A



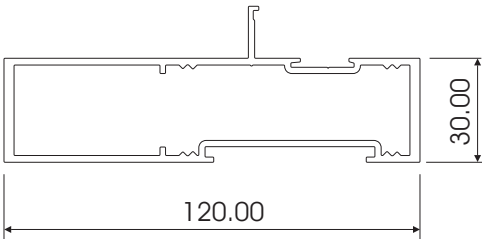
CLIP44 26D
RECESSED BACK
CL47A



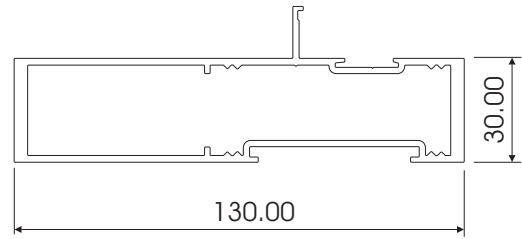
CLIP44 95B
RECESSED BACK
CL200



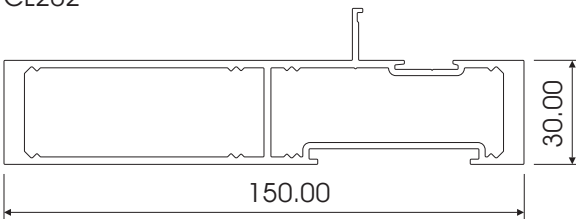
CLIP44 105B
RECESSED BACK
CL201



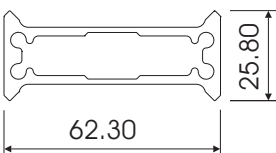
CLIP44 120B
RECESSED BACK
CL202



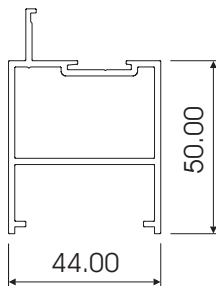
CLIP44 130B
RECESSED BACK
CL217



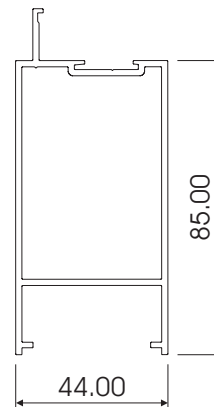
CLIP44 150B
RECESSED BACK
CL203



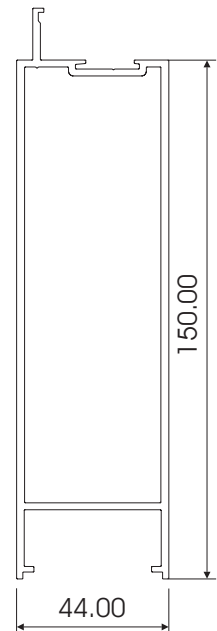
CLIP44 BOX SPIGOT
4 X S/PORT
W55456



CLIP44 R7 HEAD/
SILL RAIL 50mm
CL22A

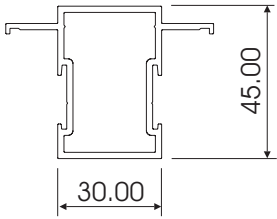


CLIP44 R4 HEAD/
SILL RAIL 85mm
CL17A

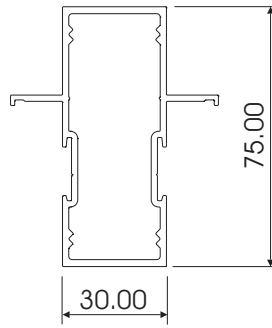


CLIP44 R6 SILL
RAIL 150mm
CL56A

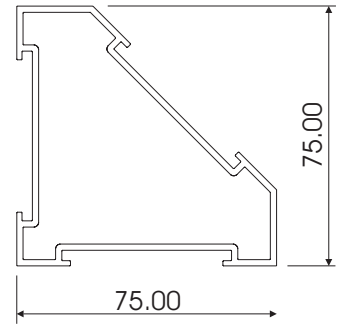
SHEERFRONT CLIP 15 SYSTEM PROFILE IDENTIFICATION



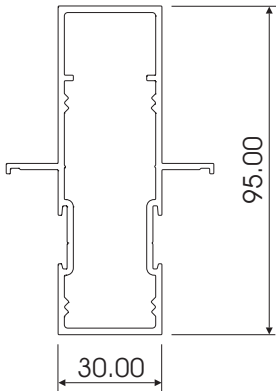
CLIP44 MIDRAIL GLAZING BAR
CL09A



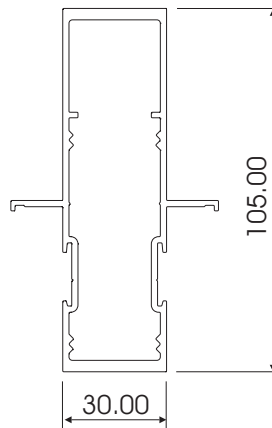
CLIP44 26 MULLION
CL01A



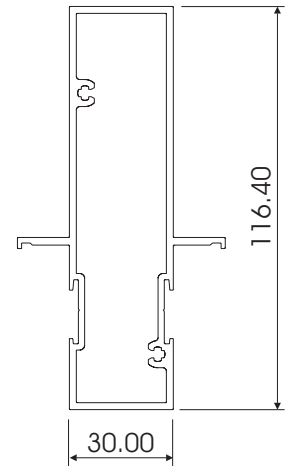
CLIP44 CORNER MULLION
CL08A



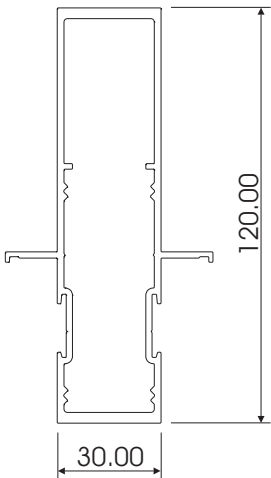
CLIP44 MULLION W95
CL215



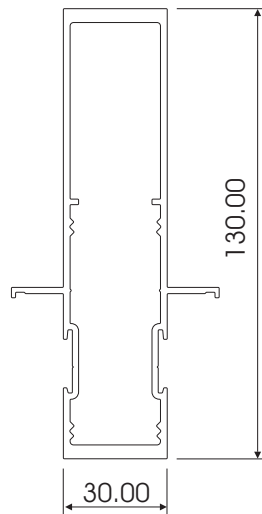
CLIP44 MULLION W105
CL216



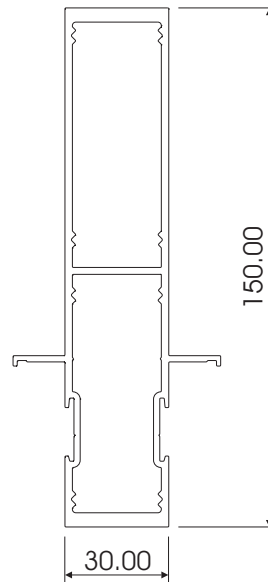
CLIP44 MULLION 116.4mm
CL219



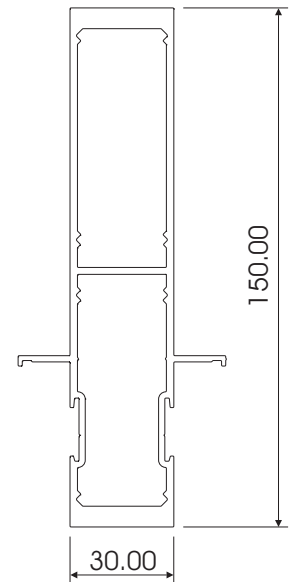
CLIP44 MULLION W120
CL06A



CLIP44 MULLION W130
CL226

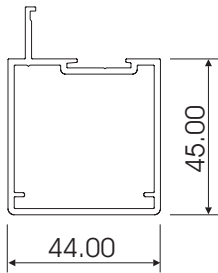


CLIP44 W150 MULLION
CL07A

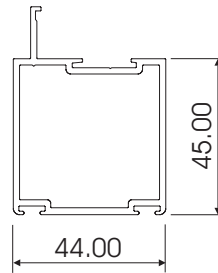


CLIP44 150mm MULLION
HEAVY DUTY
CL204

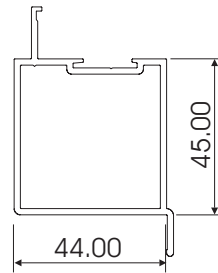
SHEERFRONT CLIP 15 SYSTEM PROFILE IDENTIFICATION



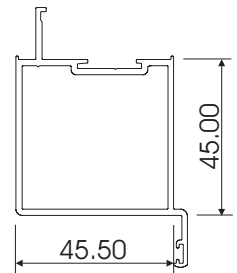
CLIP44 R1
DOOR JAMB
CL15A



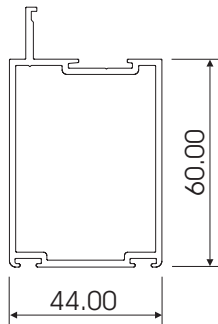
CLIP44 R3 SPECIAL
DOOR JAMB
CL16A



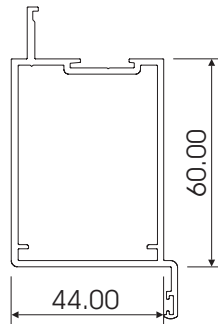
CLIP44 R12 DOUBLE
DOOR JAMB
CL214



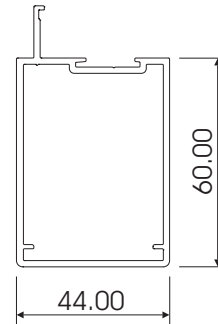
CLIP44 R12 SPECIAL
CL42A



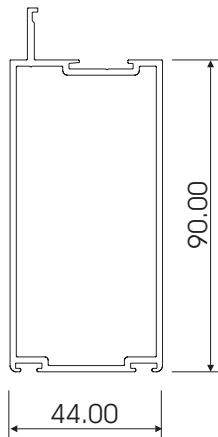
CLIP44 R11W
D/STILE 60mm W/PILE
CL221



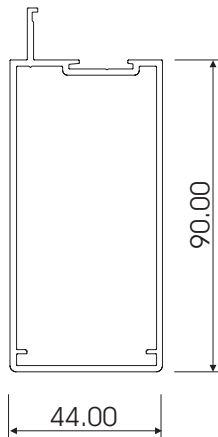
CLIP44 R11SP
D/STILE 60mm
CL227



CLIP44 R11
DOOR JAMB
CL218



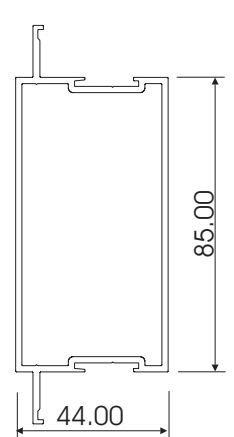
CLIP44 R9W
D/STILE 90mm W/PILE
CL51A



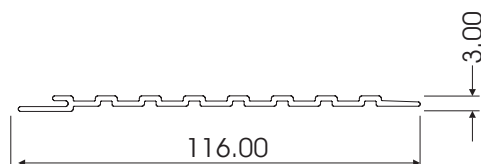
CLIP44 R9
D/STILE 90mm
CL52A



CLIP44 R9SP D/STILE
90mm
CL77A

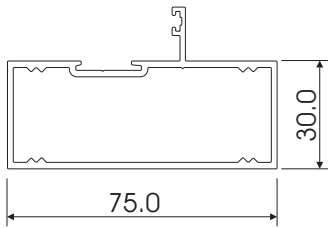


CLIP44 R4-SPECIAL
MID RAIL 85mm
CL18A

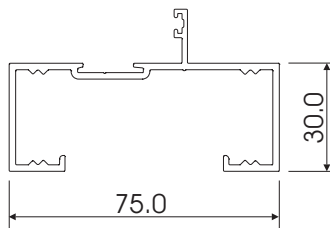


CLIP44 R19 SPECIAL CLADDING
W27934

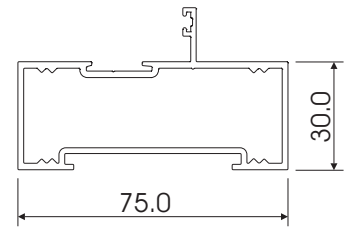
SHEERFRONT CLIP 15 SYSTEM ALTERNATE WOOLPILE PROFILES



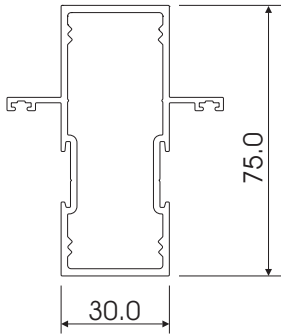
CLIP44 FLAT
BACK WOOLPILE
CL49GW



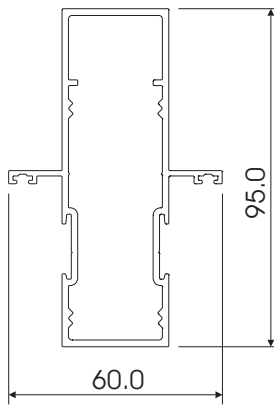
CLIP44 JAMB
OPEN BACK WOOLPILE
CL03GW



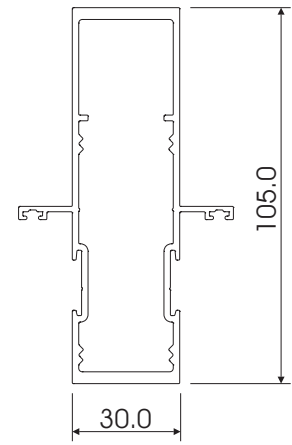
CLIP 44 RECESSED
BACK WOOLPILE
CL02GW



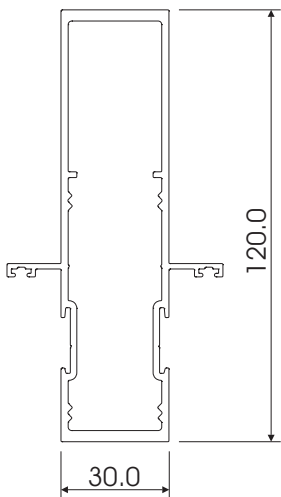
CLIP44 MULLION
WOOLPILE
CL01GW



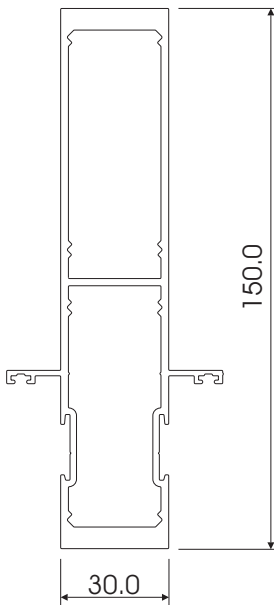
CLIP44 W95 MULLION
WOOLPILE
W56015



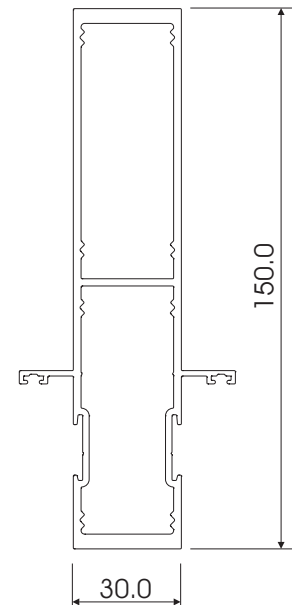
CLIP44 W105 MULLION
WOOLPILE
W56014



CLIP44 W150 MULLION
WOOLPILE
CL06GW

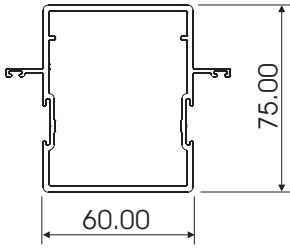


CLIP44 150mm MULLION
WOOLPILE HEAVY DUTY
W56012

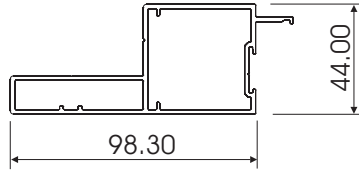


CLIP44 W150 MULLION
WOOLPILE
CL07GW

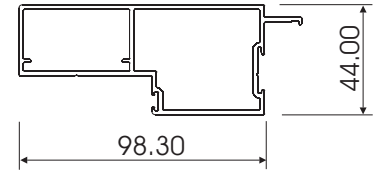
SHEERFRONT CLIP 15 SYSTEM PROFILE IDENTIFICATION



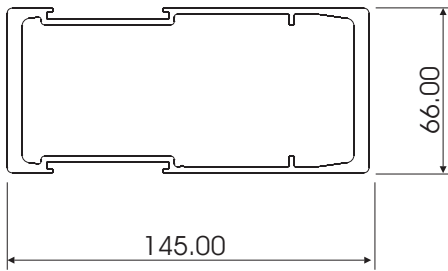
MID-TRANSOME RAIL
60MM WP
CL103G



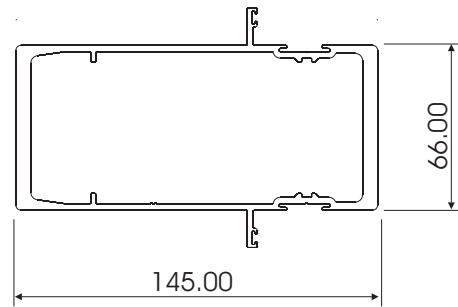
MAGLOCK DOUBLE
DOOR STILE OPENING DOOR
CL95



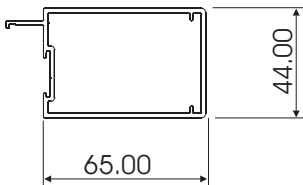
MAGLOCK DOUBLE
DOOR STILE FIXED DOOR
CL94



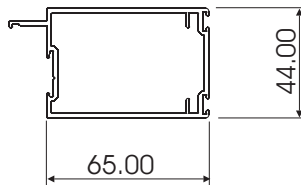
MULLION-TRANSOM
145x66 RECESSED
CL76A



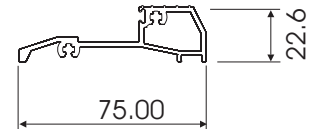
MULLION-TRANSOM
145x66 DOUBLE LIP WP
CL76G



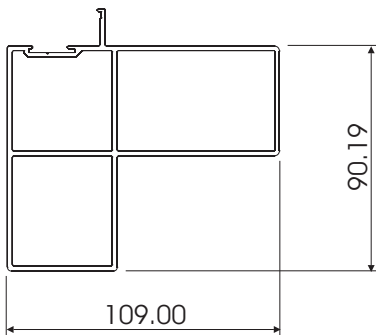
DOOR STILE 65MM
CL28



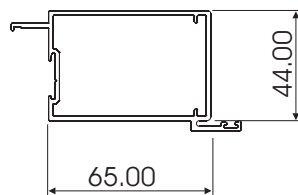
DOOR STILE 65MM
WOOLPILE
CL65L



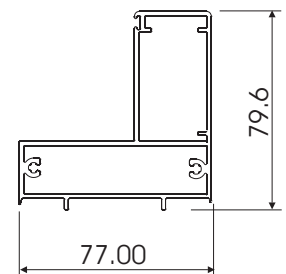
THRESHOLD WITH
SEAL
CL69



MAG LOCK
CL73

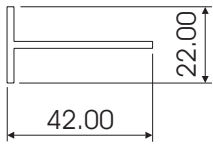


DOOR STILE 65MM
CL61L

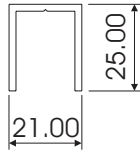


LOCK STILE
CL64

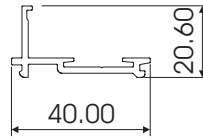
SHEERFRONT CLIP 15 SYSTEM PROFILE IDENTIFICATION



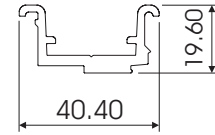
CLIP44 SLIDING DOOR
STOP ASTRAGAL
CL35A



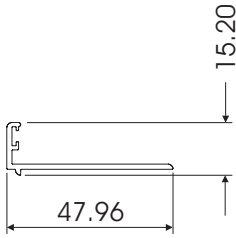
CLIP44 CHANNEL
SPIGOT
W26152



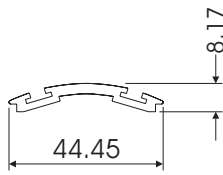
CLIP44 R4 FILLER
ADAPTOR
CL19A



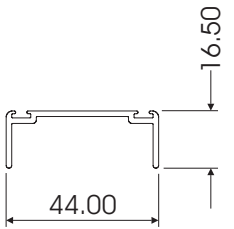
CLIP44 SPIGOT
CL25A



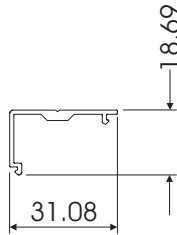
CLIP44 ASTRAGAL
WITH WOOLPILE
CL206



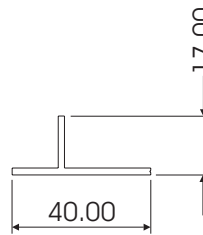
CLIP44 SILL ADAPTOR
CL104



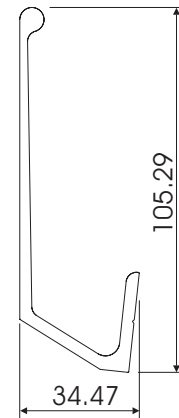
CLIP44 PIVOT DOOR
HEAD ADAPTOR
CL44A



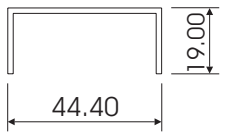
CLIP44 DOOR
ADAPTOR FOR W95
CL211



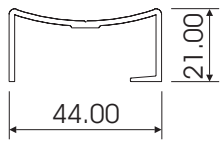
CLIP44 R4 SILL
END FILLER
CL20A



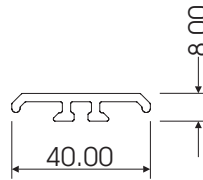
CLIP44 UNIVERSAL
DOOR HANDLE
CL37



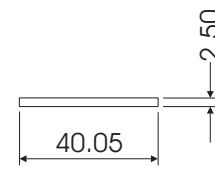
CLIP44 COMPENSATING
CHANNEL
W23224



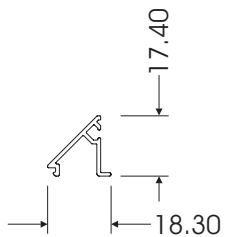
CLIP44 DOOR END
STYLE FOR PIVOT
CL24A



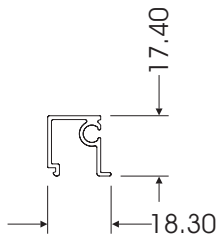
COLONIAL BAR
W29247



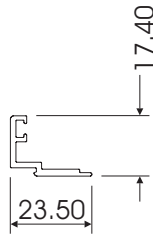
CLIP44 40mm
COVER PLATE
W25025



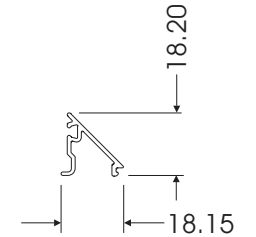
CLIP44 ANGLED
GLAZING BEAD
CL13



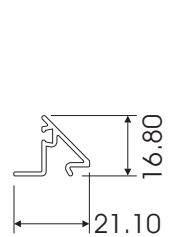
CLIP44 SQUARE
GLAZING BEAD
CL14A



CLIP44 DOUBLE
GLAZING BEAD
CL66A

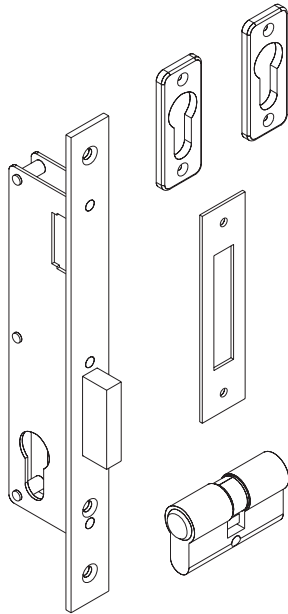


NEW CLIP44 ANGLED
GLAZING BEAD
W31142

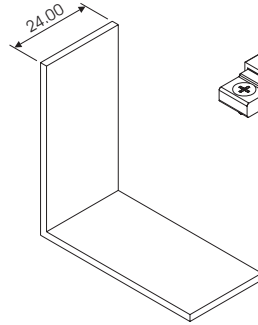


CLIP44 ANGLED
GLAZING BEAD
CL225

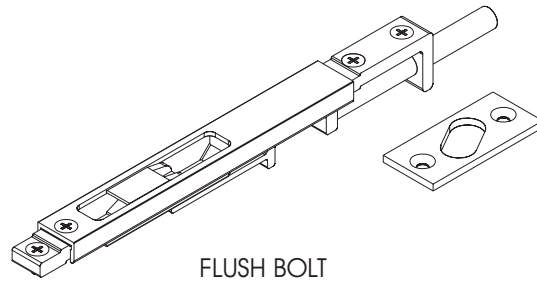
SHEERFRONT CLIP 15 SYSTEM SWING DOOR INSERT HARDWARE IDENTIFICATION



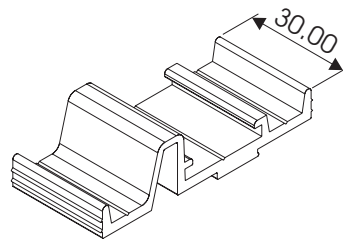
DEAD LOCK 25mm
CL44640/25



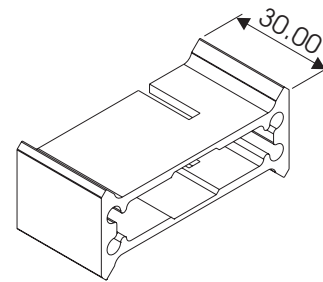
EQUAL ANGLE 50.0 x 50.0 x 2.0
W20435



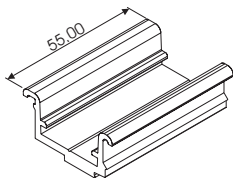
FLUSH BOLT
SHW04



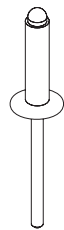
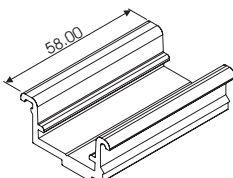
FRAME SPIGOT
CL39A



BOX SPIGOT 4 X S/PORT
CL40W



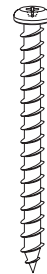
SPIGOT
CL25A



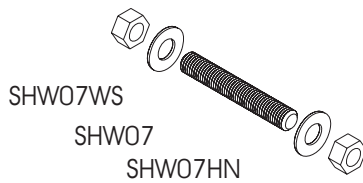
4x10 C/SUNK
RIVET
CSKR4810



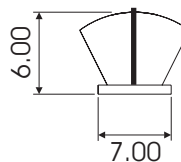
POP RIVET
4.8x12mm
CSKR4812



8x40 P/HEAD POSI
S/S SCREW
SC0840P

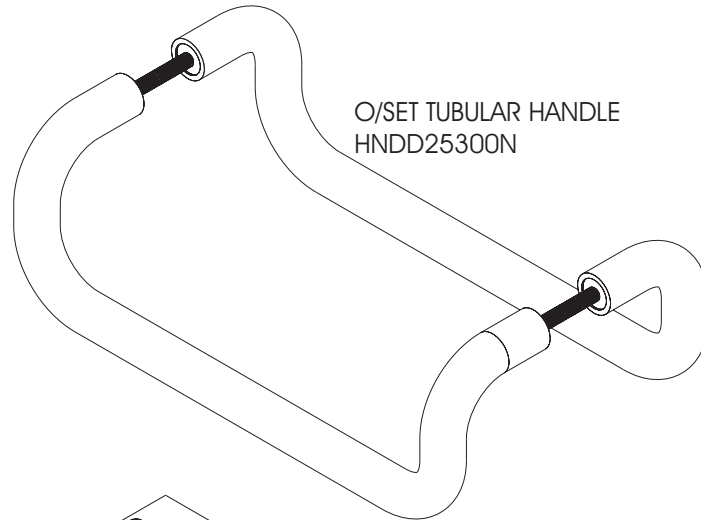


SHW07WS
SHW07
SHW07HN

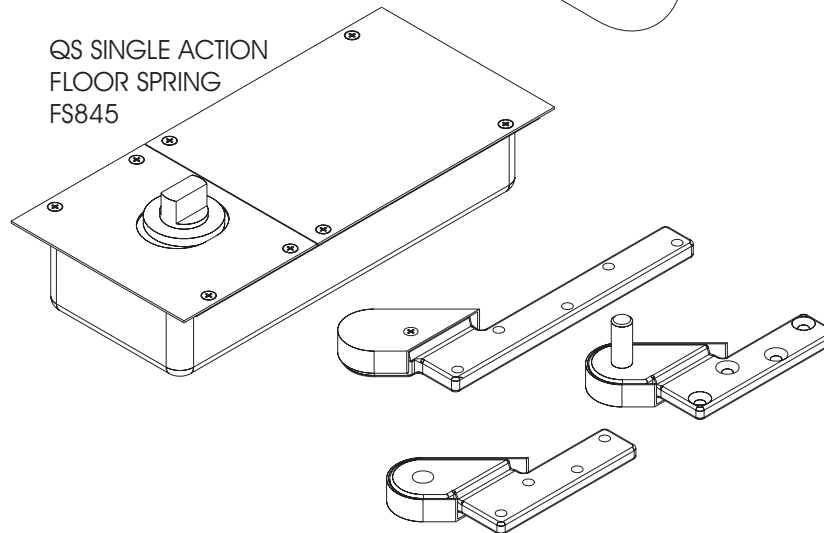


FINPILE
FP48500FG

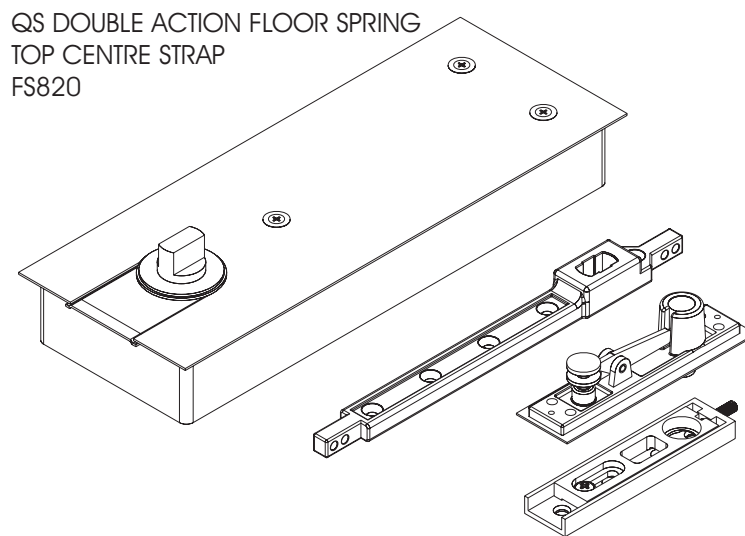
SHEERFRONT CLIP 15 SYSTEM SWING DOOR INSERT HARDWARE IDENTIFICATION



O/SET TUBULAR HANDLE
HNDD25300N

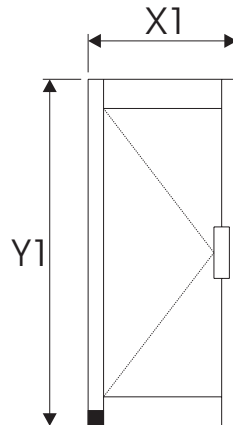


QS SINGLE ACTION
FLOOR SPRING
FS845



QS DOUBLE ACTION FLOOR SPRING
TOP CENTRE STRAP
FS820

SHEERFRONT CLIP 15 SYSTEM
SWING DOOR LEAF
SIZE LIMITATION GUIDE



WHEN USING 45mm DOOR JAMB (EG. CL15A - R1 DOOR JAMB)

MAXIMUM DOOR LEAF WIDTH: $X1 = 900\text{mm}$
MAXIMUM DOOR LEAF HEIGHT: $Y1 = 2200\text{mm}$

WHEN USING 60mm DOOR JAMB (EG. CL221 - R11W DOOR JAMB)

MAXIMUM DOOR LEAF WIDTH: $X1 = 1000\text{mm}$
MAXIMUM DOOR LEAF HEIGHT: $Y1 = 2400\text{mm}$

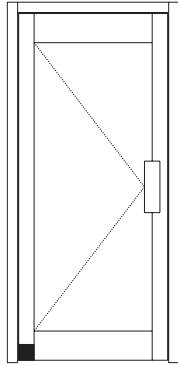
WHEN USING 90mm DOOR JAMB (EG. CL51A - R9W DOOR JAMB)

MAXIMUM DOOR LEAF WIDTH: $X1 = 1100\text{mm}$
MAXIMUM DOOR LEAF HEIGHT: $Y1 = 2600\text{mm}$

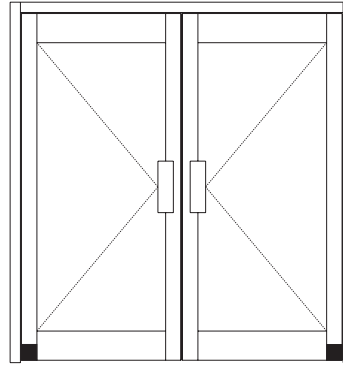
SHEERFRONT CLIP 15 SYSTEM SWING DOOR TYPICAL CONFIGURATIONS



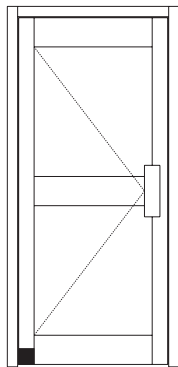
SINGLE SWING DOOR



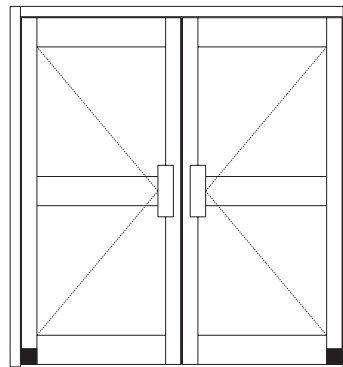
DOUBLE SWING DOOR



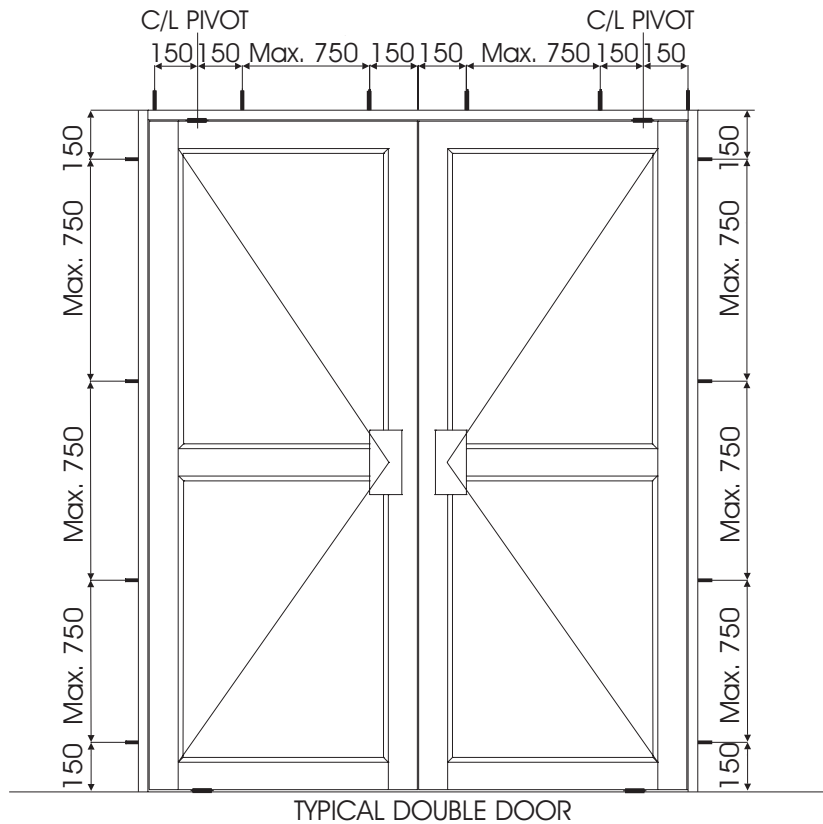
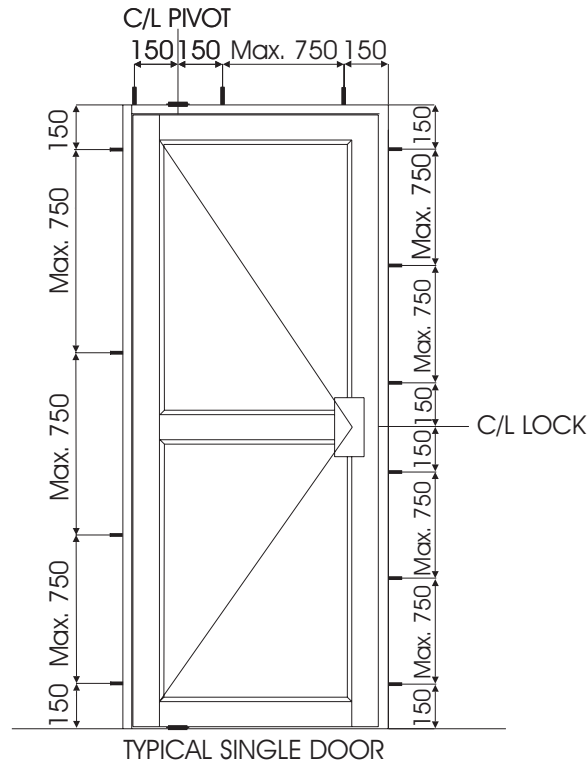
SINGLE SWING DOOR
WITH MIDRAIL



DOUBLE SWING DOOR
WITH MIDRAIL

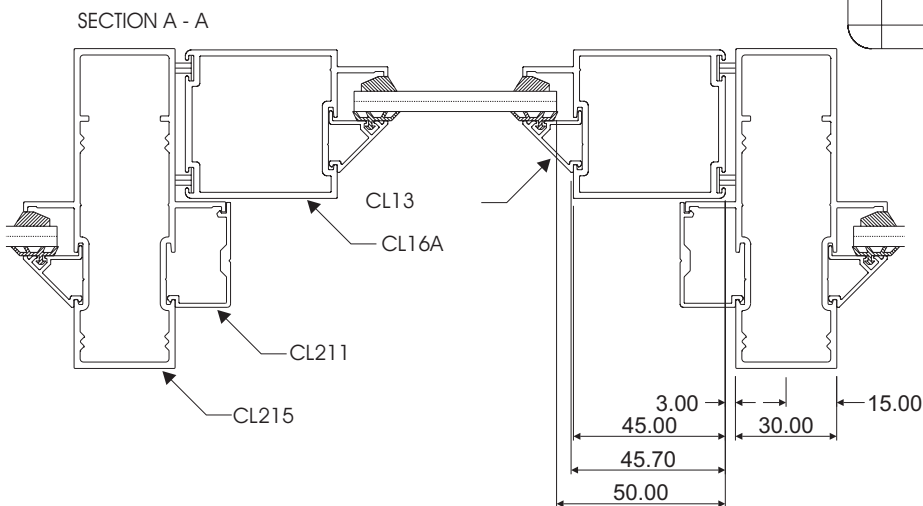
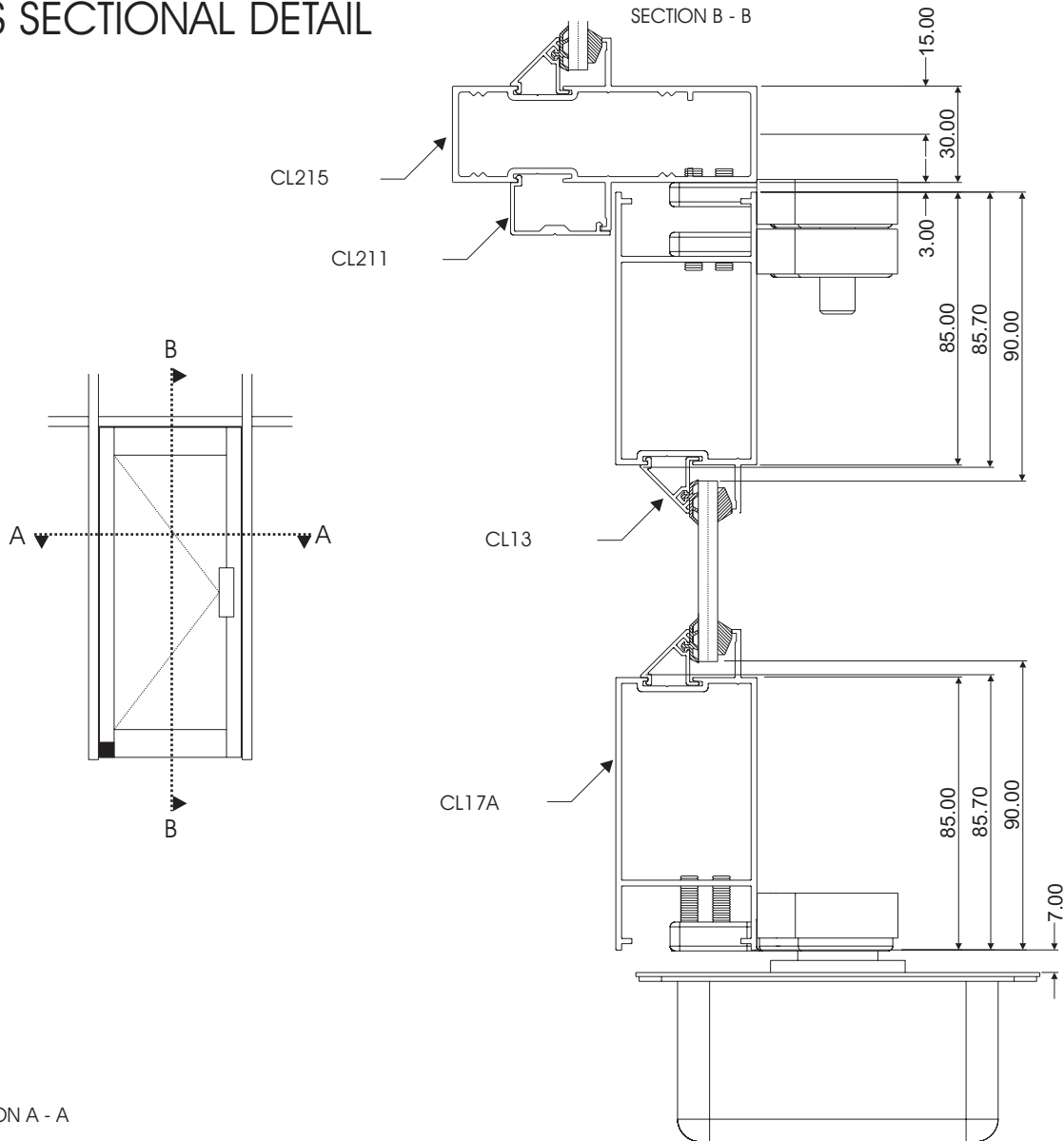


SHEERFRONT CLIP 15 SYSTEM SWING DOOR FIXING DETAILS



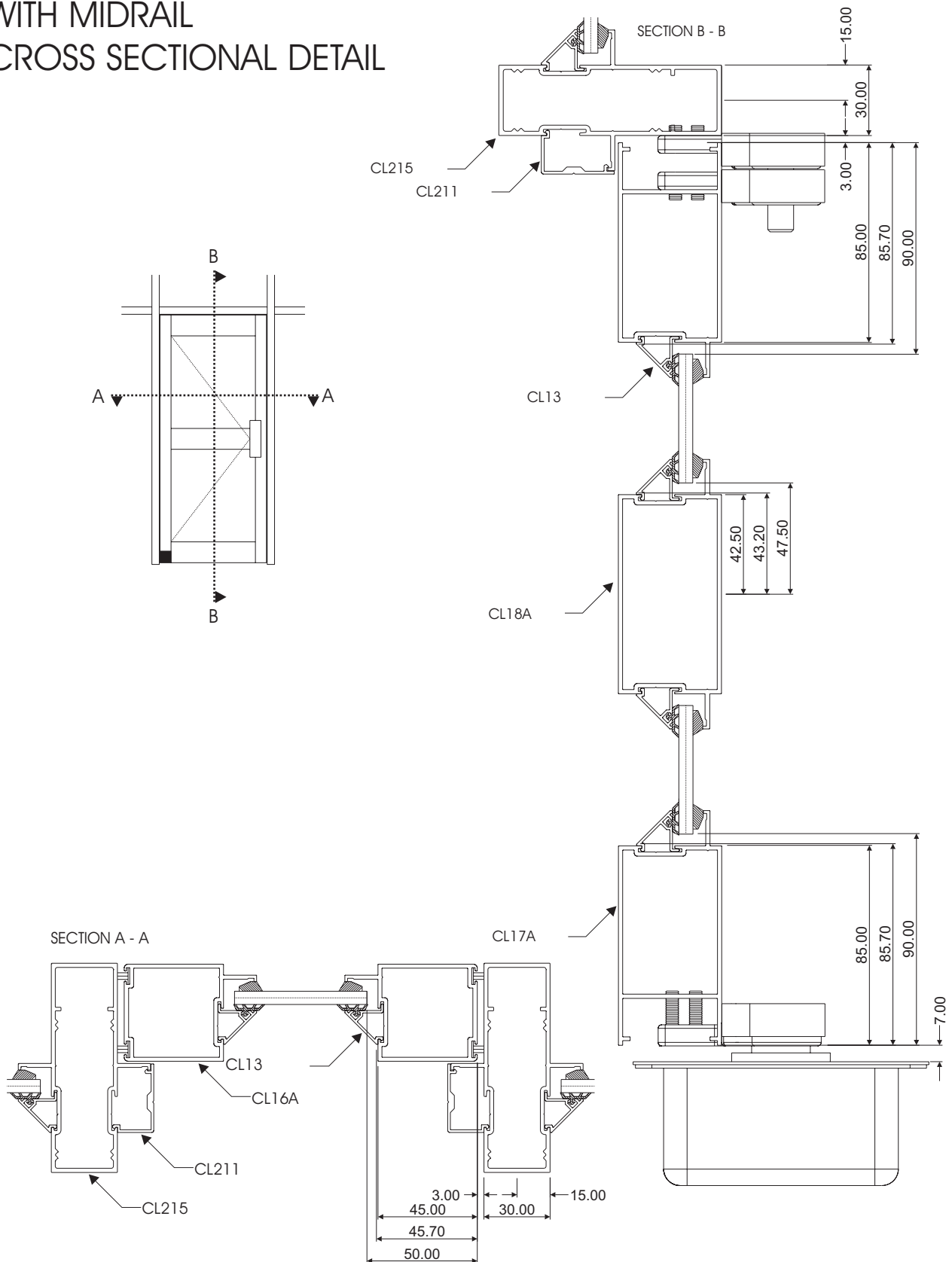
Disclaimer: The right to make alterations is reserved
© 2010 Sheerline, All Rights Reserved

SHEERFRONT CLIP 15 SYSTEM
 SINGLE ACTION SINGLE
 SWING DOOR INWARD OPENING
 CROSS SECTIONAL DETAIL



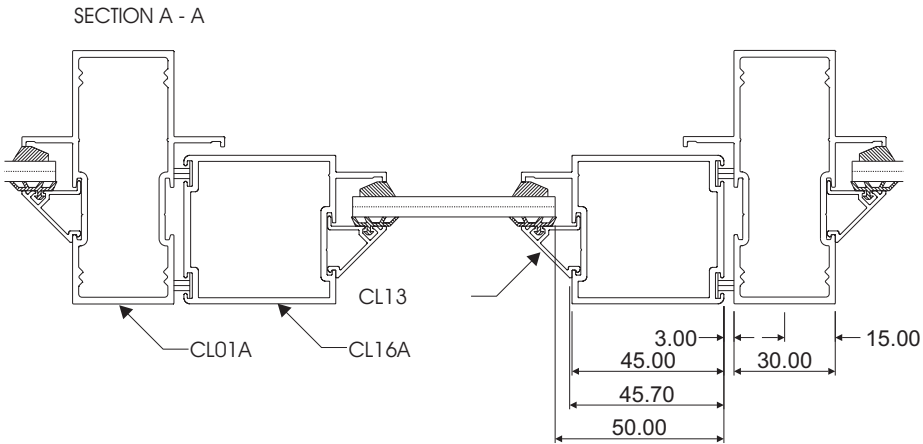
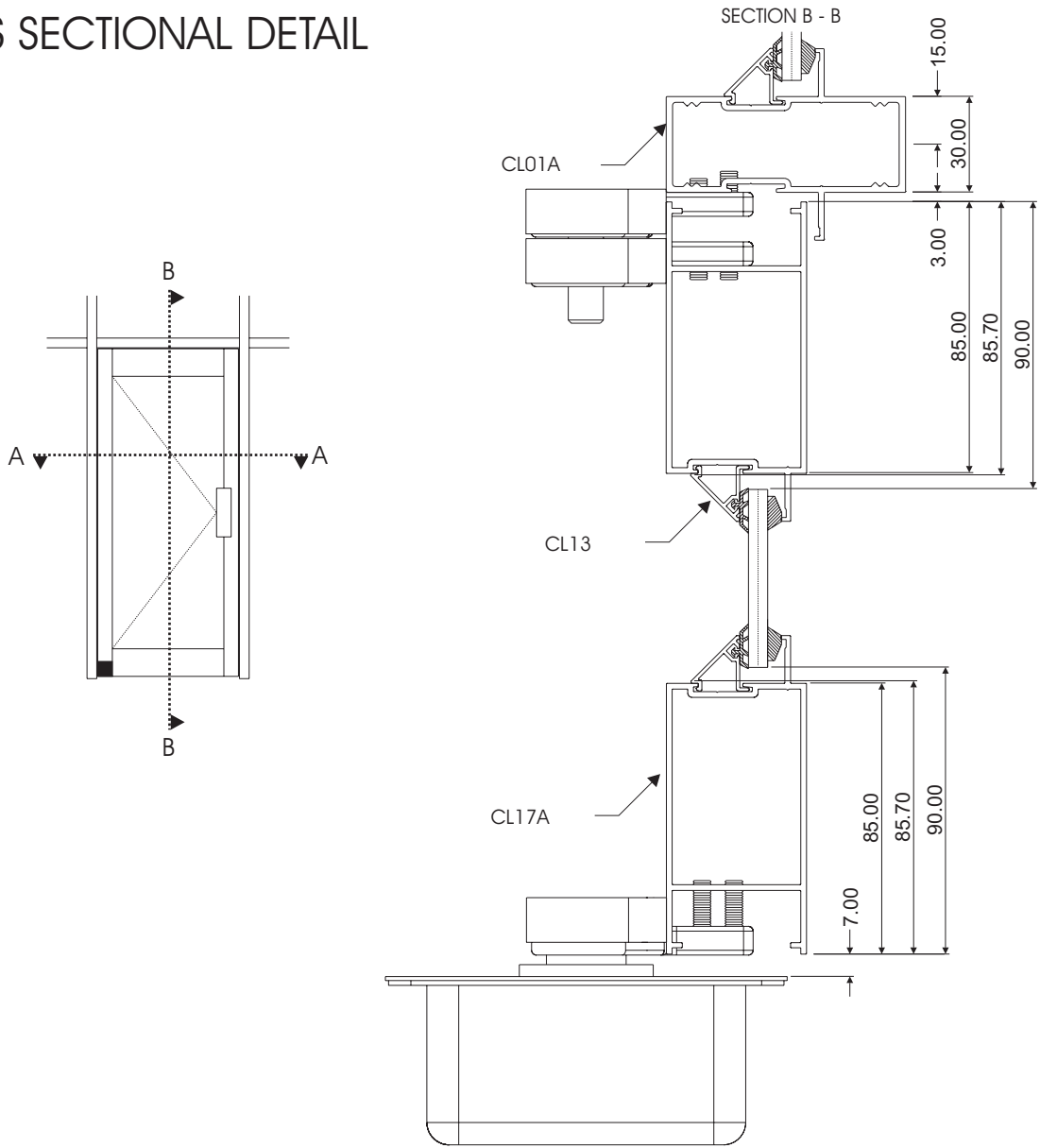
Disclaimer: The right to make alterations is reserved
 © 2010 Sheerline, All Rights Reserved

SHEERFRONT CLIP 15 SYSTEM
 SINGLE ACTION SINGLE
 SWING DOOR INWARD OPENING
 WITH MIDRAIL
 CROSS SECTIONAL DETAIL

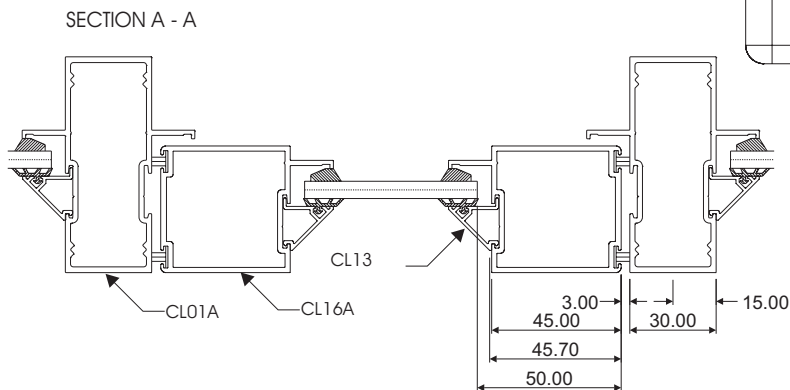
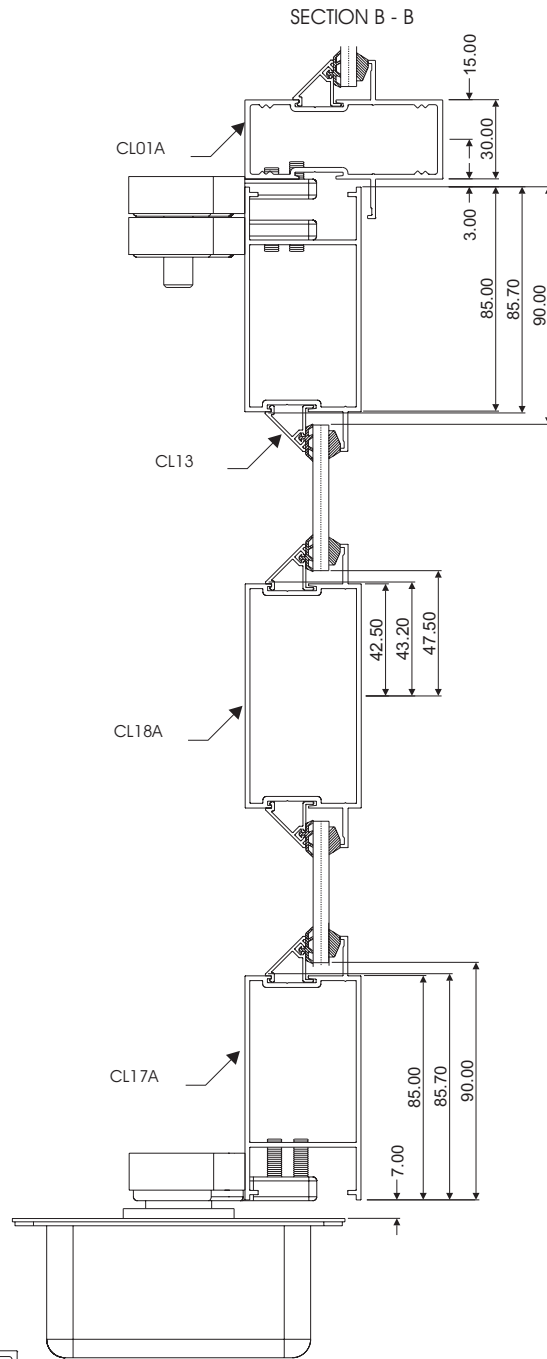
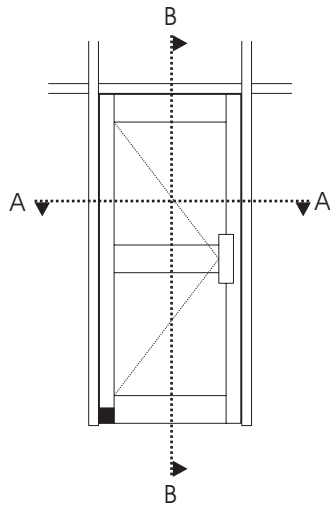


Disclaimer: The right to make alterations is reserved
 © 2010 Sheerline, All Rights Reserved

SHEERFRONT CLIP 15 SYSTEM
 SINGLE ACTION SINGLE
 SWING DOOR OUTWARD OPENING
 CROSS SECTIONAL DETAIL

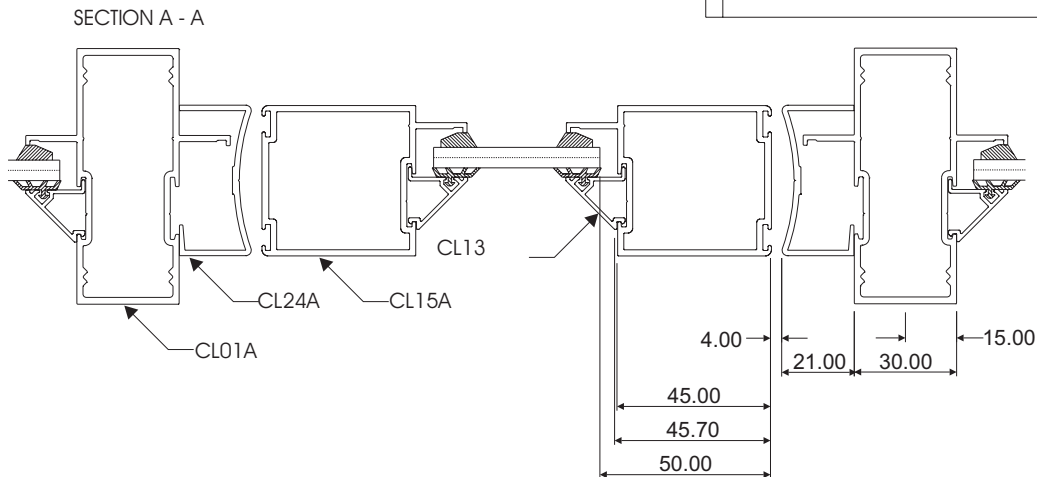
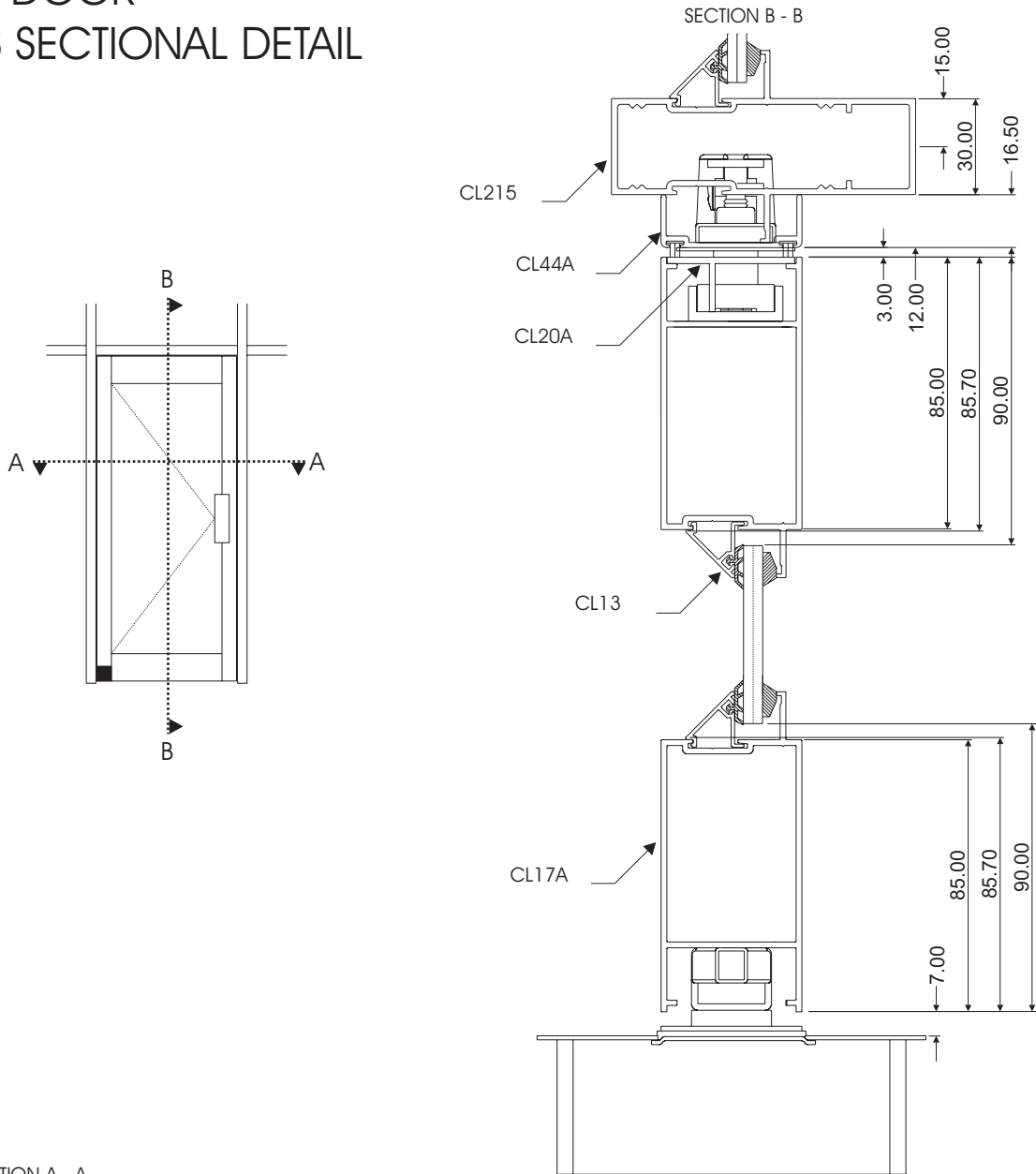


SHEERFRONT CLIP 15 SYSTEM
 SINGLE ACTION SINGLE
 SWING DOOR OUTWARD OPENING
 WITH MIDRAIL
 CROSS SECTIONAL DETAIL



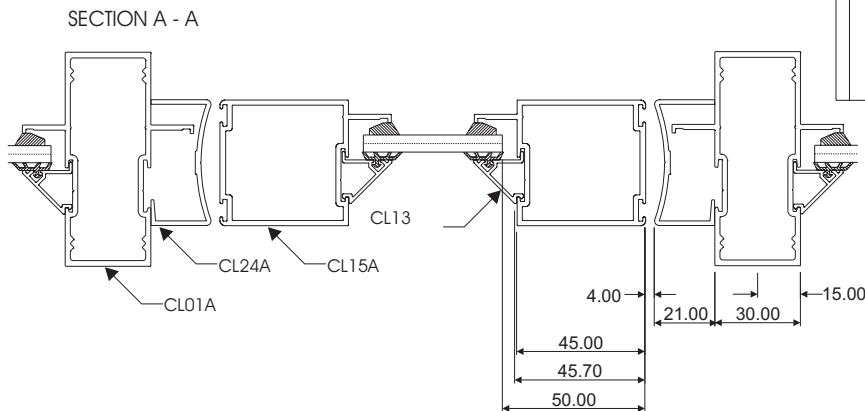
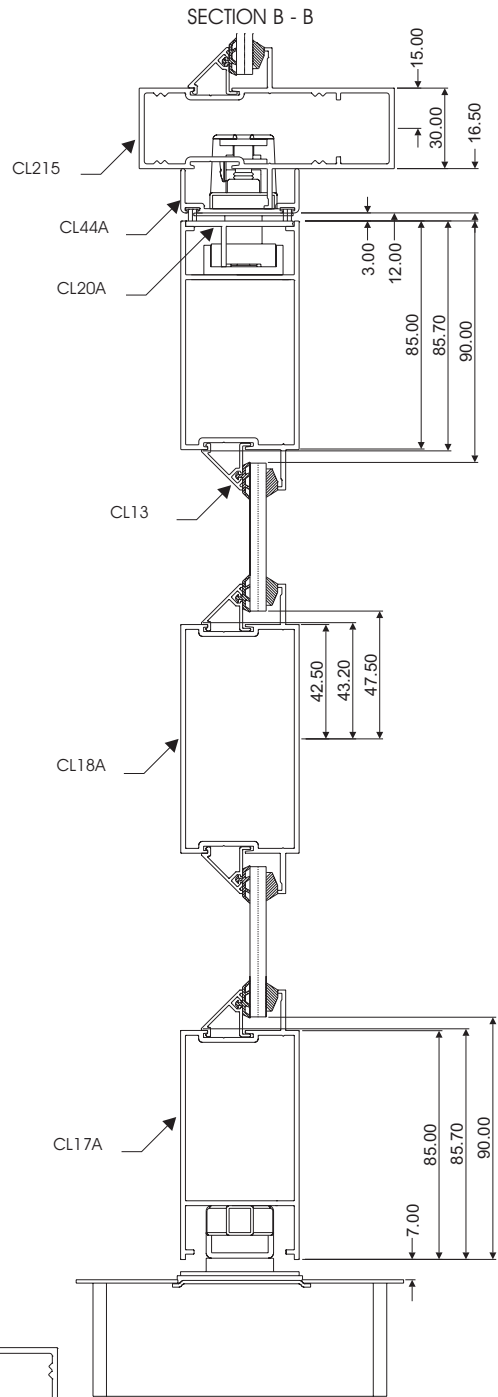
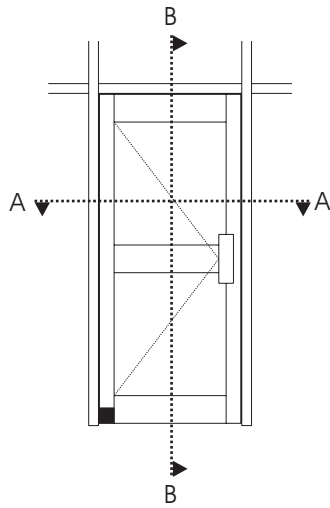
Disclaimer: The right to make alterations is reserved
 © 2010 Sheerline, All Rights Reserved

SHEERFRONT CLIP 15 SYSTEM
 DOUBLE ACTION SINGLE
 SWING DOOR
 CROSS SECTIONAL DETAIL



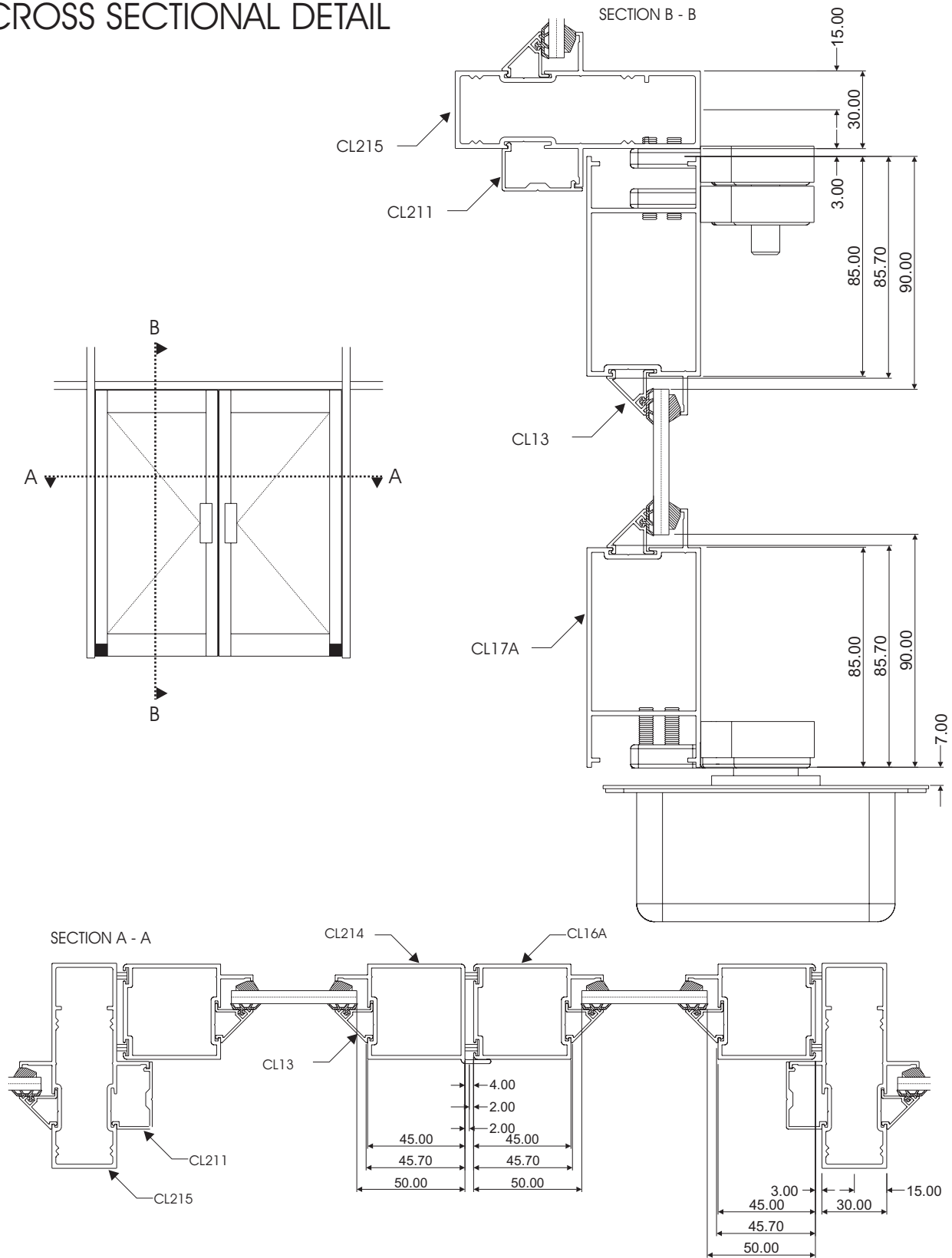
Disclaimer: The right to make alterations is reserved
 © 2010 Sheerline, All Rights Reserved

SHEERFRONT CLIP 15 SYSTEM DOUBLE ACTION SINGLE SWING DOOR WITH MIDRAIL CROSS SECTIONAL DETAIL

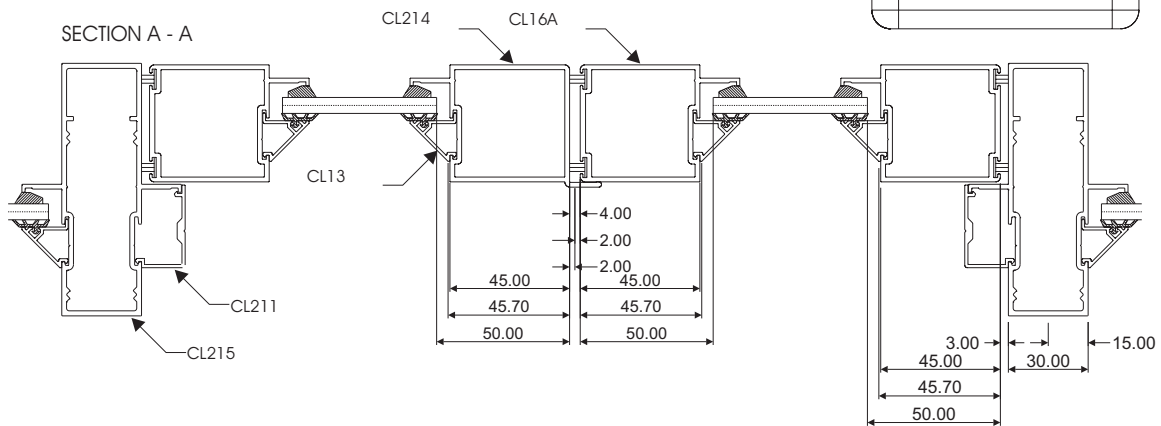
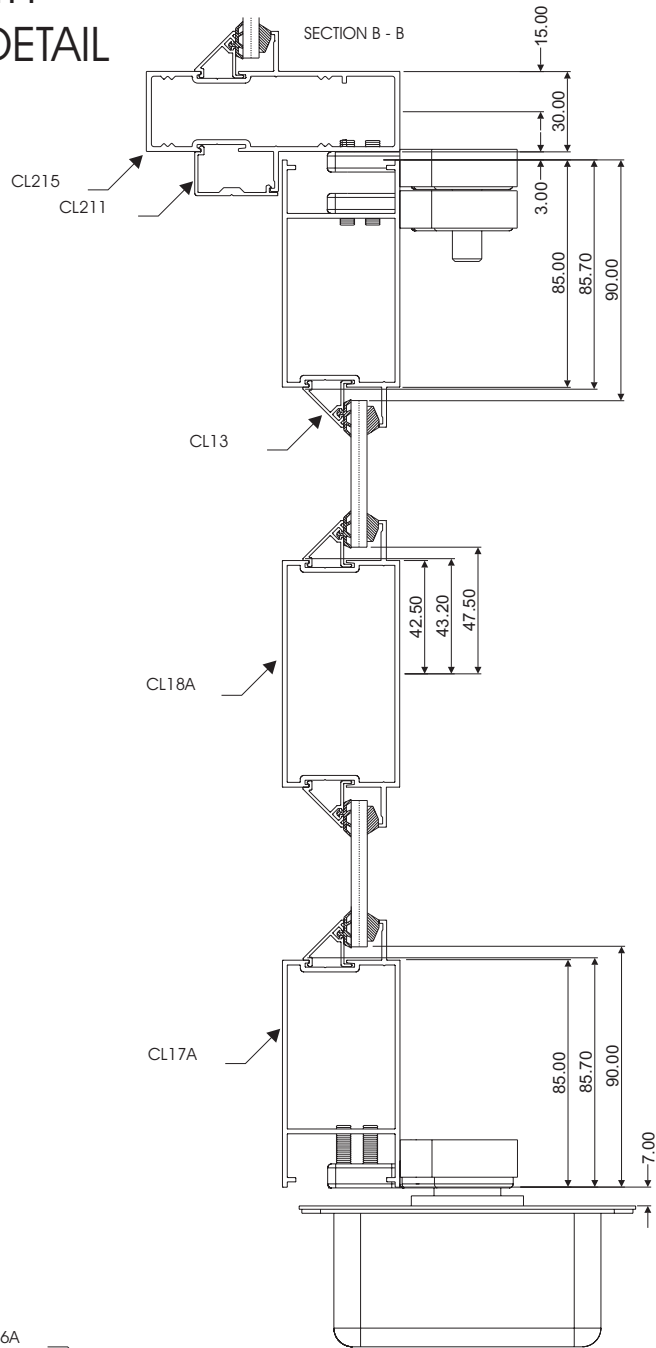
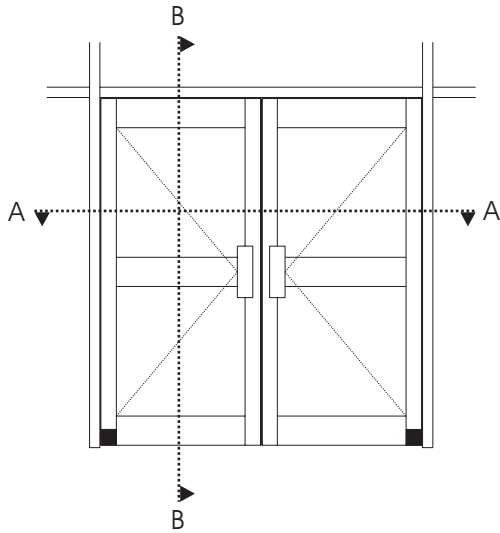


Disclaimer: The right to make alterations is reserved
© 2010 Sheerline, All Rights Reserved

SHEERFRONT CLIP 15 SYSTEM
 SINGLE ACTION DOUBLE
 SWING DOOR INWARD OPENING
 CROSS SECTIONAL DETAIL

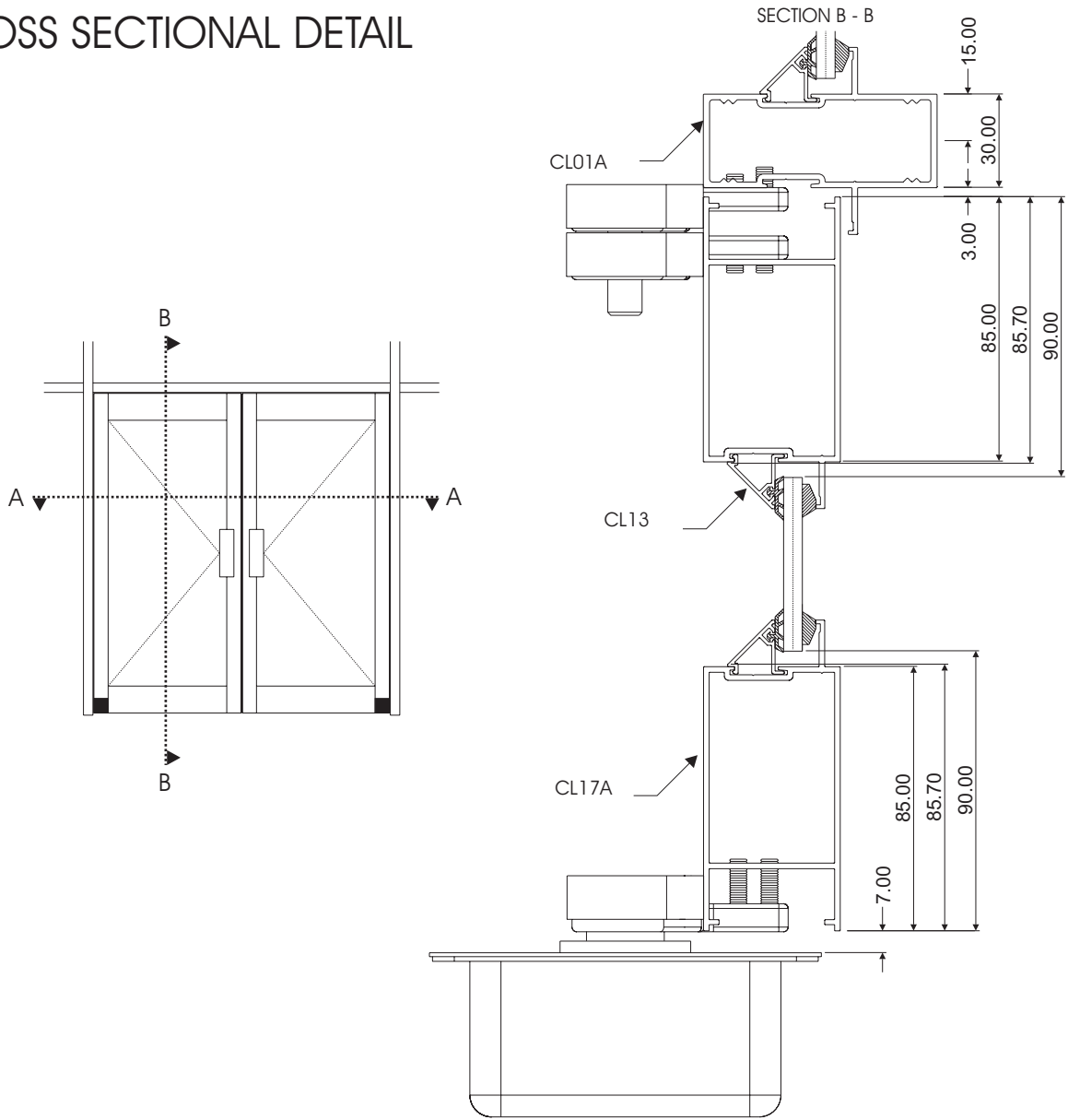


SHEERFRONT CLIP 15 SYSTEM SINGLE ACTION DOUBLE SWING DOOR INWARD OPENING WITH MIDRAIL CROSS SECTIONAL DETAIL

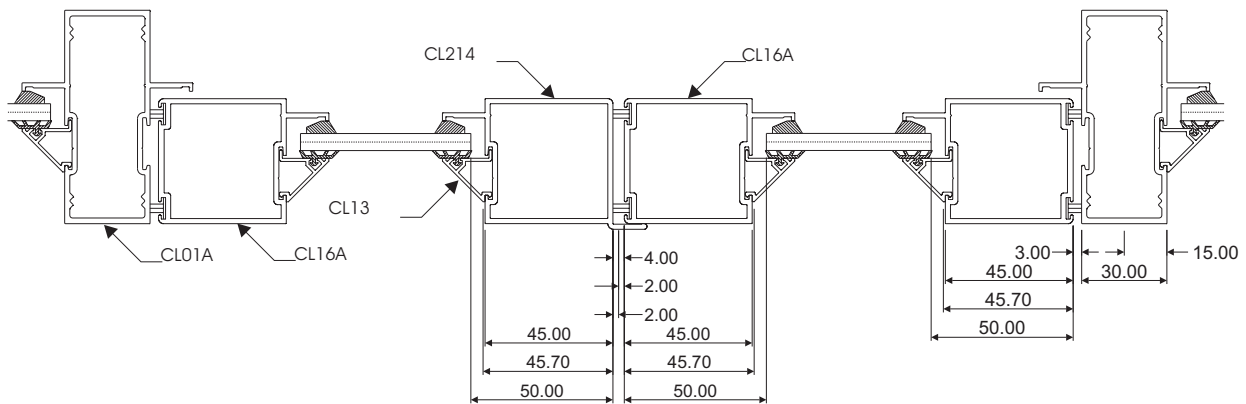


Disclaimer: The right to make alterations is reserved
© 2010 Sheerline, All Rights Reserved

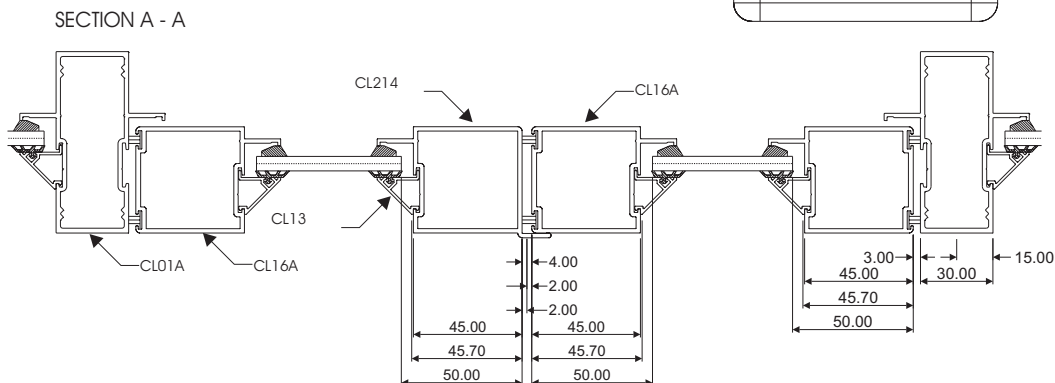
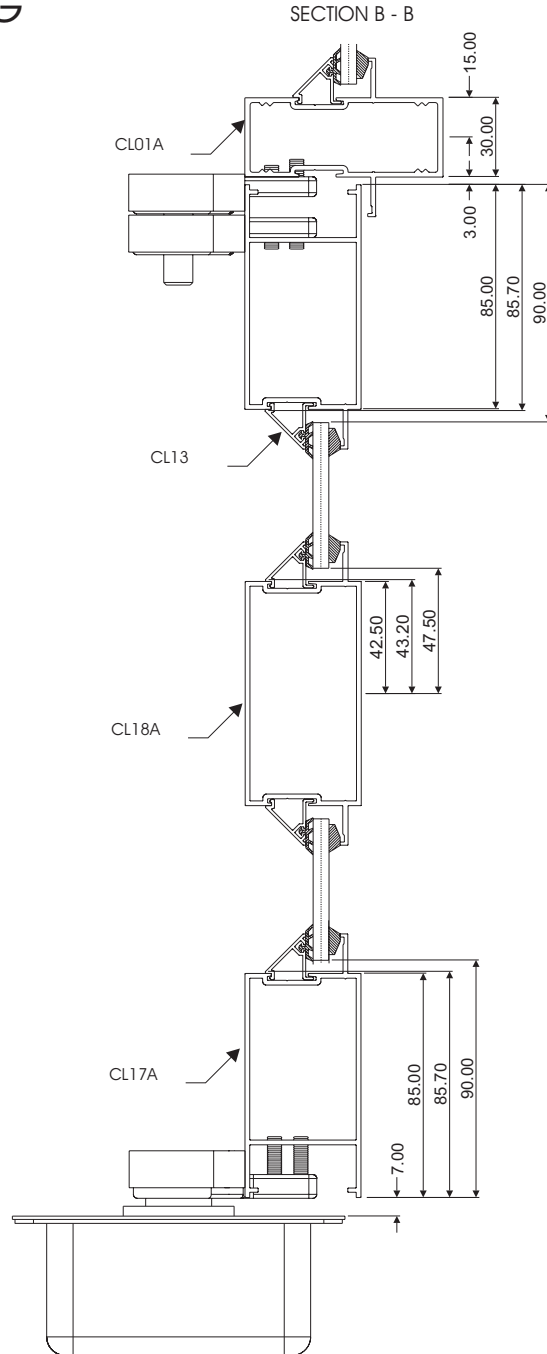
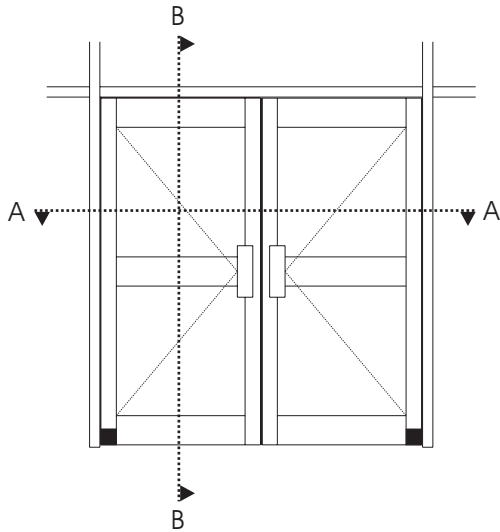
SHEERFRONT CLIP 15 SYSTEM
 SINGLE ACTION DOUBLE
 SWING DOOR OUTWARD OPENING
 CROSS SECTIONAL DETAIL



SECTION THROUGH A - A

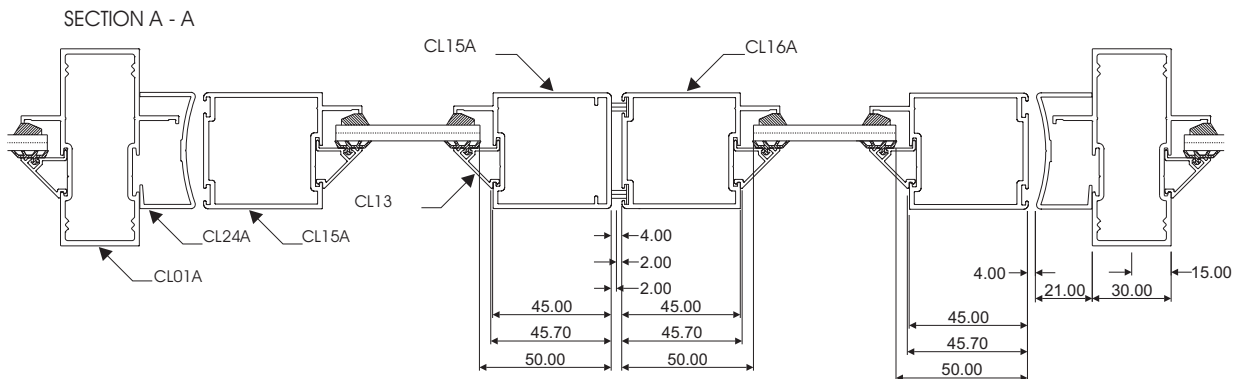
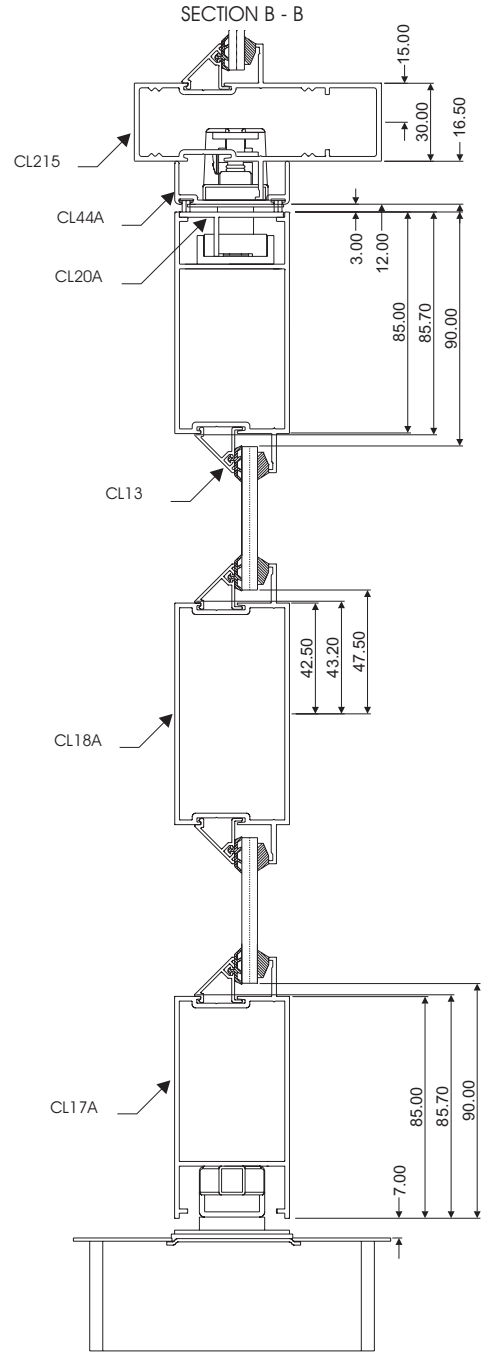
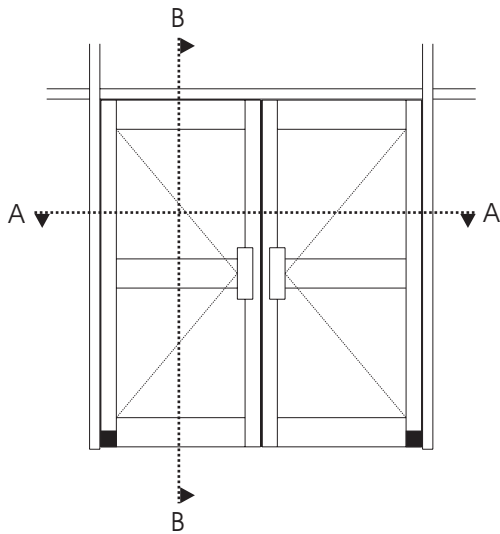


SHEERFRONT CLIP 15 SYSTEM
 SINGLE ACTION DOUBLE
 SWING DOOR OUTWARD OPENING
 WITH MIDRAIL
 CROSS SECTIONAL DETAIL



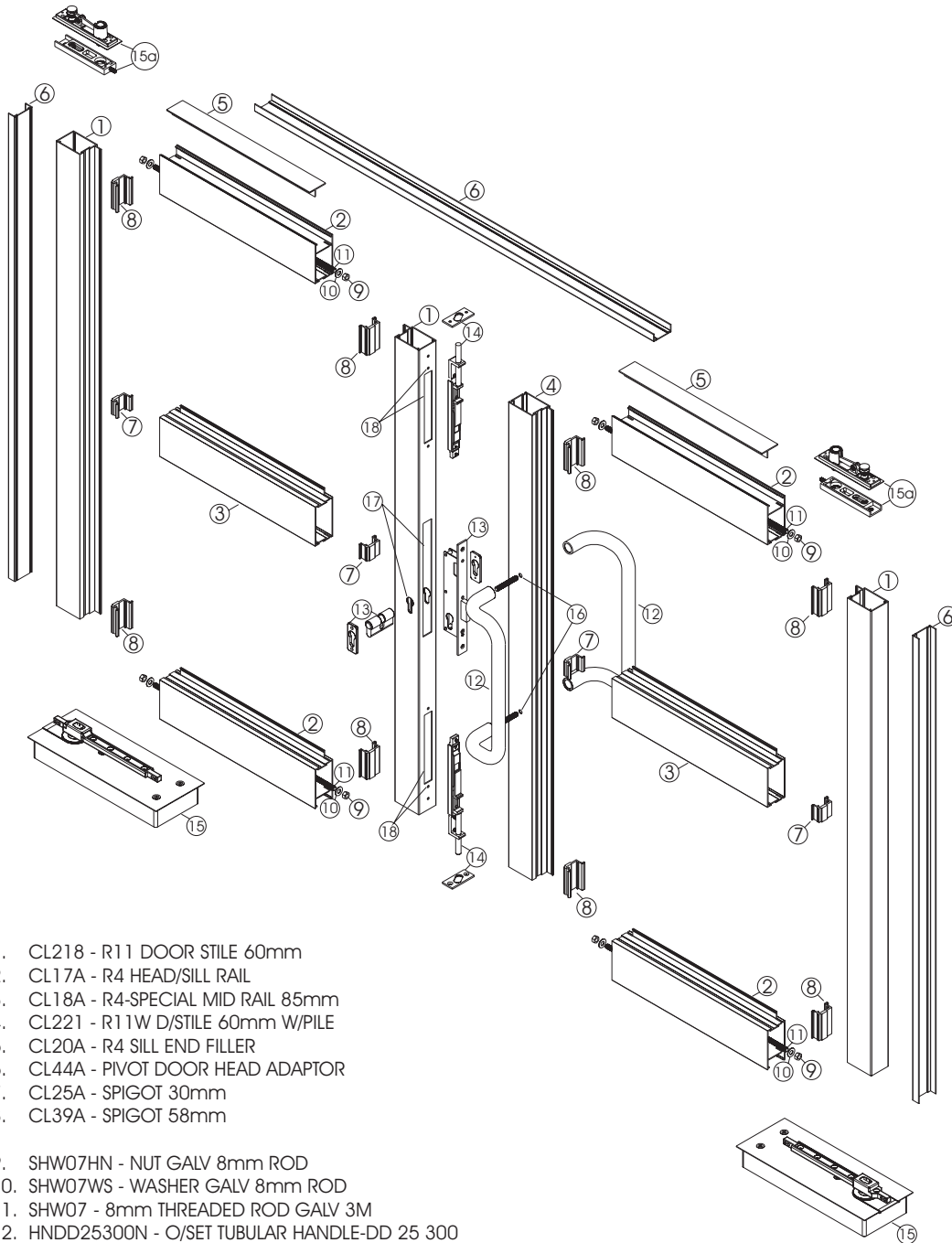
Disclaimer: The right to make alterations is reserved
 © 2010 Sheerline, All Rights Reserved

SHEERFRONT CLIP 15 SYSTEM DOUBLE SWING DOOR WITH MIDRAIL DOUBLE ACTION CROSS SECTIONAL DETAIL



Disclaimer: The right to make alterations is reserved
© 2010 Sheerline, All Rights Reserved

SHEERFRONT CLIP 15 SYSTEM SWING DOOR COMPONENT ASSEMBLY DETAIL

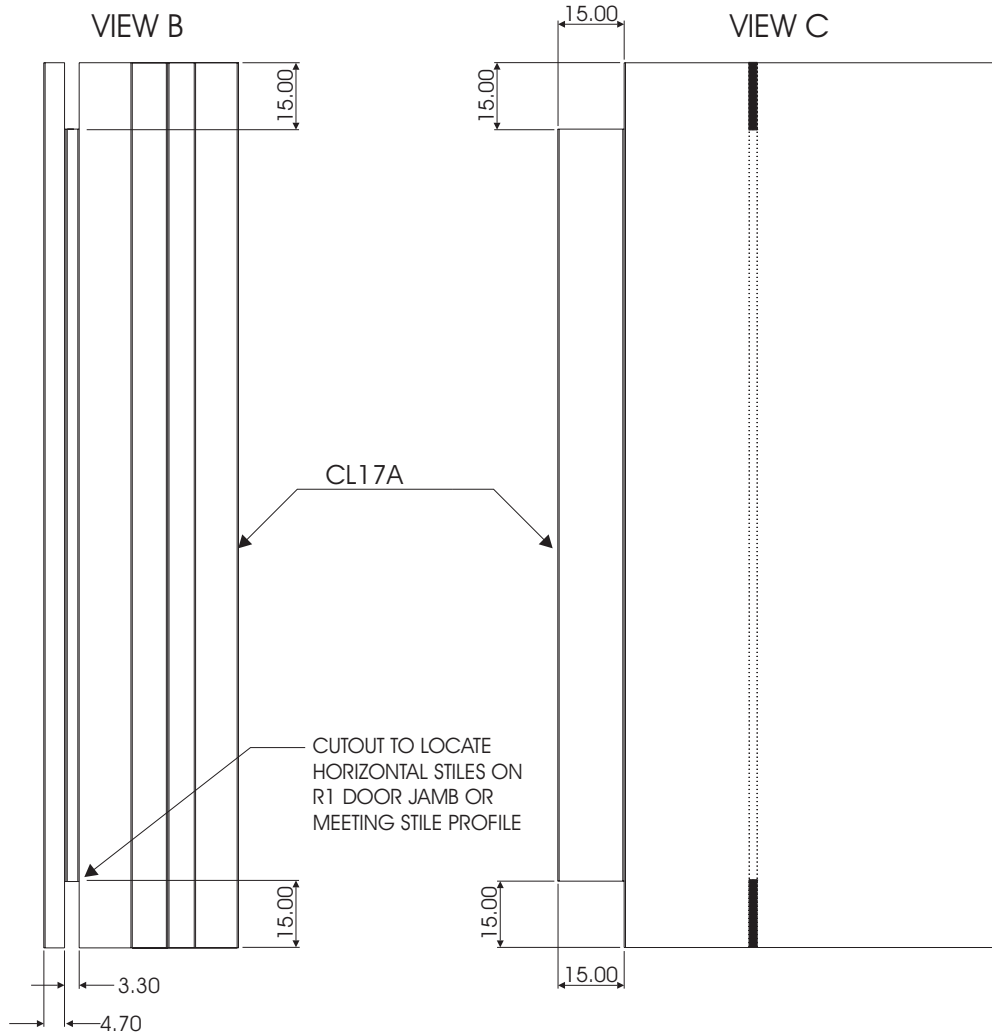
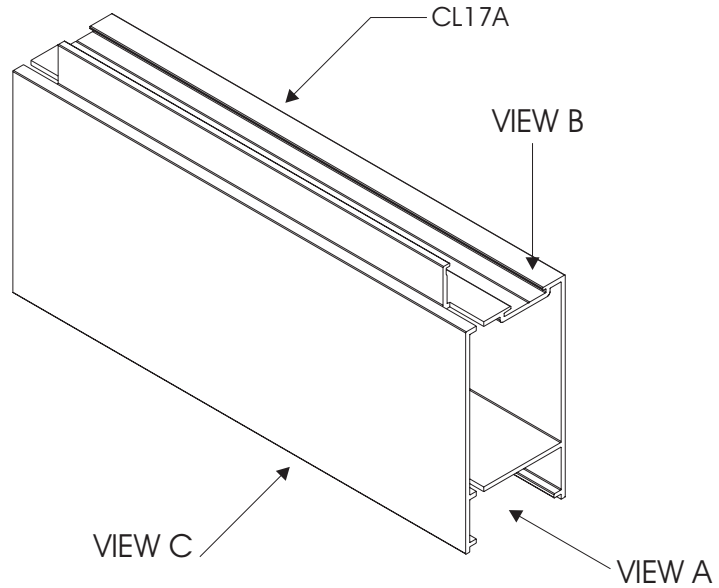
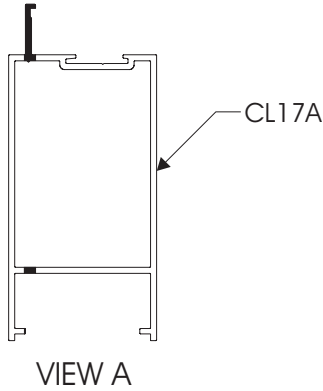


1. CL218 - R11 DOOR STILE 60mm
2. CL17A - R4 HEAD/SILL RAIL
3. CL18A - R4-SPECIAL MID RAIL 85mm
4. CL221 - R11W D/STILE 60mm W/PILE
5. CL20A - R4 SILL END FILLER
6. CL44A - PIVOT DOOR HEAD ADAPTOR
7. CL25A - SPIGOT 30mm
8. CL39A - SPIGOT 58mm
9. SHW07HN - NUT GALV 8mm ROD
10. SHW07WS - WASHER GALV 8mm ROD
11. SHW07 - 8mm THREADED ROD GALV 3M
12. HNDD25300N - O/SET TUBULAR HANDLE-DD 25 300
13. CL44620/25 - DEAD LOCK 25mm
14. SHW04 - FLUSH BOLT NAT ALUFAB 150x19mm
15. FS820 - QS DBL ACTION FLOOR SPRING
- 15A FS820 - QS DBL ACTION FLOOR SPRING TOP CENTRE
16. HANDLE MACHINING DETAIL SEE PAGE C36
17. LOCK MACHINING DETAIL SEE PAGE C37
18. FLUSHBOLT MACHINING DETAIL SEE PAGE C38

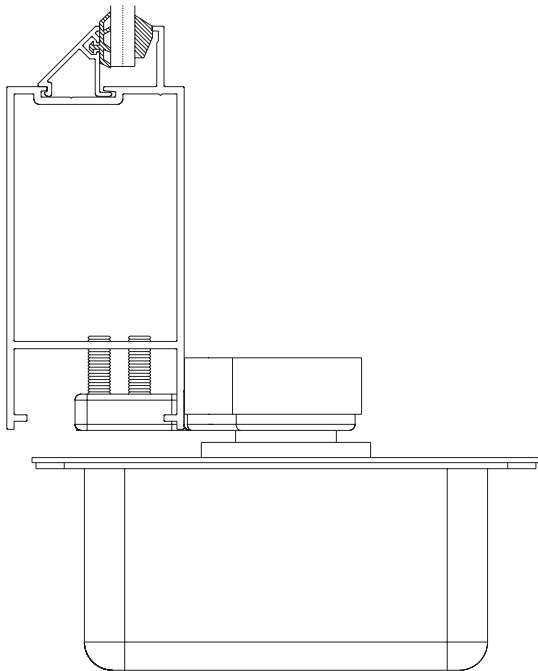
SHEERFRONT CLIP 15 SYSTEM SWING DOOR SILL MACHINING DETAIL TO SUIT ALL SILL COMBINATIONS



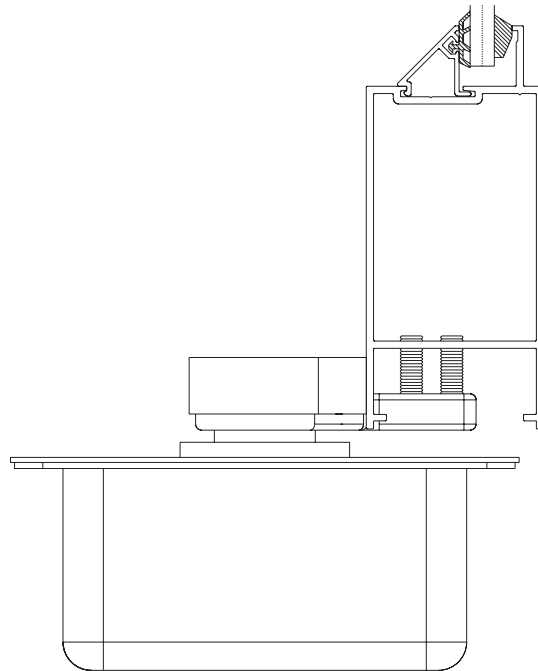
NOTE:
FOR SILL COMBINATIONS PLEASE
REFER TO PAGE C26 OF THIS MANUAL



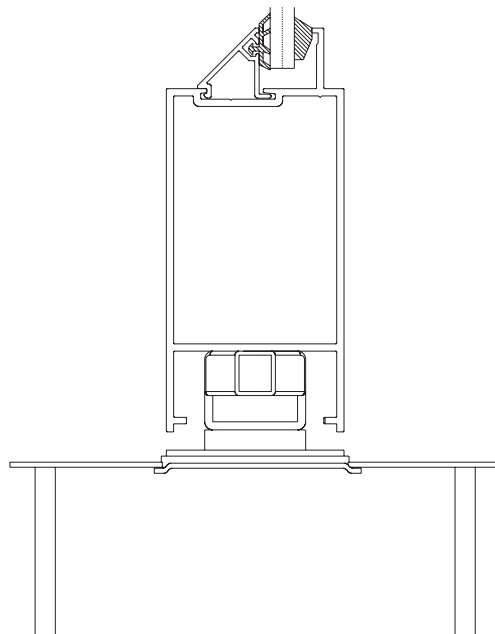
SHEERFRONT CLIP 15 SYSTEM SWING DOOR SILL OPTIONS



SILL OPTION 1
INWARD OPENING SINGLE ACTION
R4 HEAD/SILL RAIL 85mm (CL17A)

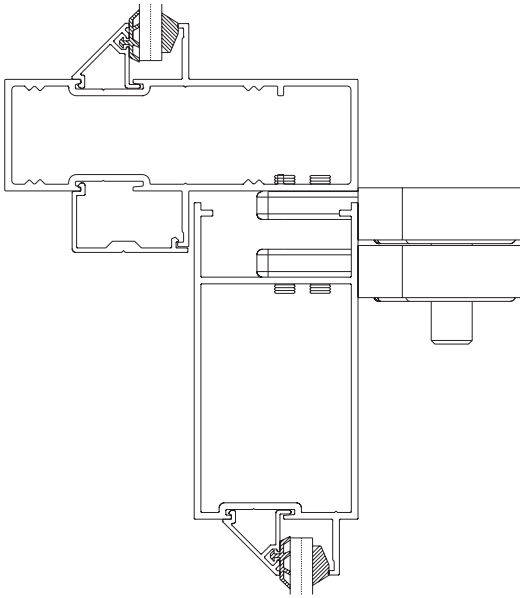


SILL OPTION 2
OUTWARD OPENING SINGLE ACTION
R4 HEAD/SILL RAIL 85mm (CL17A)

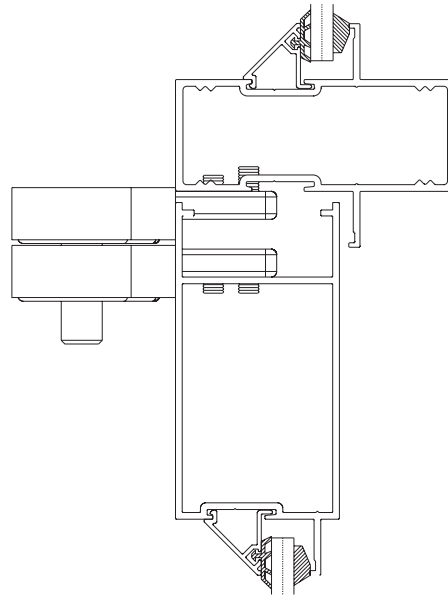


SILL OPTION 3
DOUBLE ACTION
R4 HEAD/SILL RAIL 85mm (CL17A)

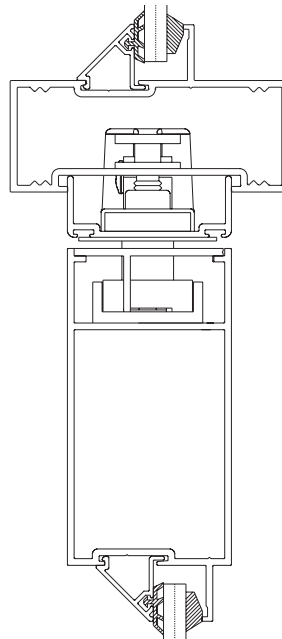
SHEERFRONT CLIP 15 SYSTEM SWING DOOR HEAD OPTIONS



HEAD OPTION 1
INWARD OPENING SINGLE ACTION
R4 HEAD/SILL RAIL 85mm (CL17A)
MULLION W95 (CL215)
DOOR ADAPTOR FOR W95 (CL211)

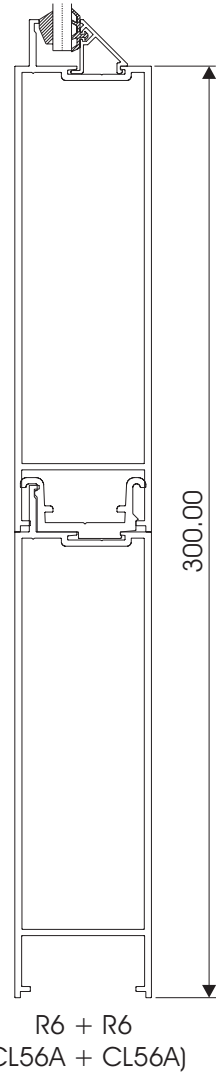
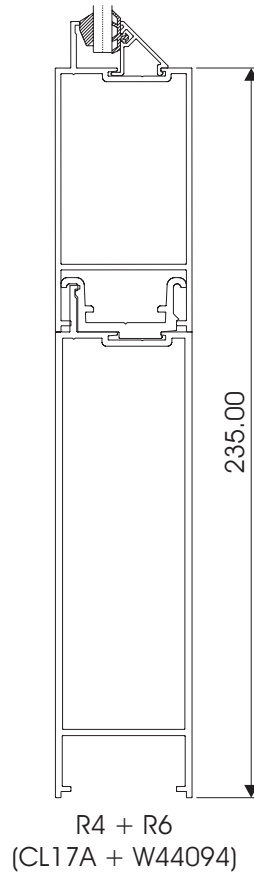
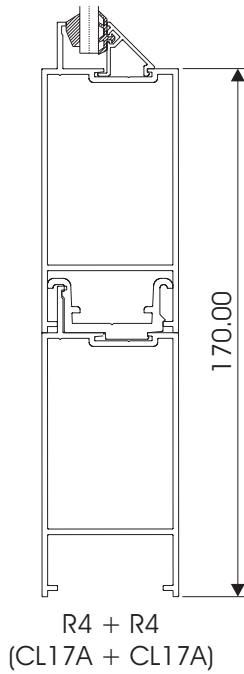
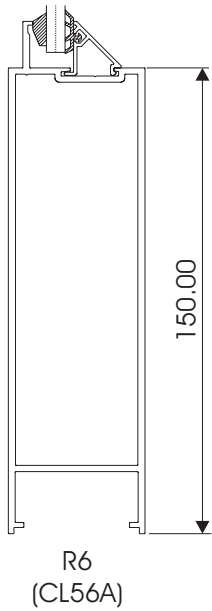
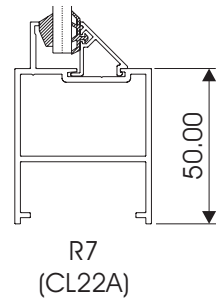
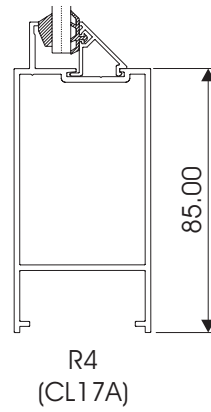
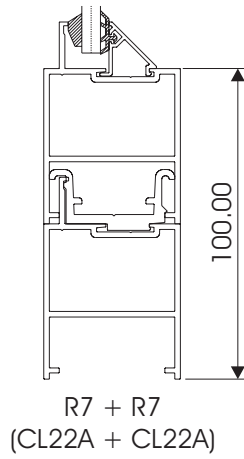
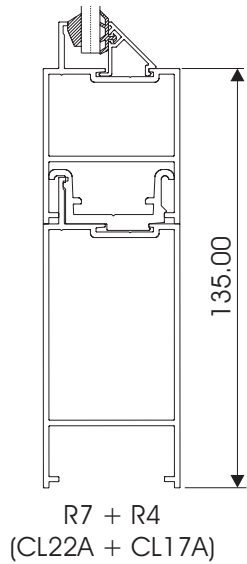


SILL OPTION 2
OUTWARD OPENING SINGLE ACTION
R4 HEAD/SILL RAIL 85mm (CL17A)
26 MULLION (CL01A)

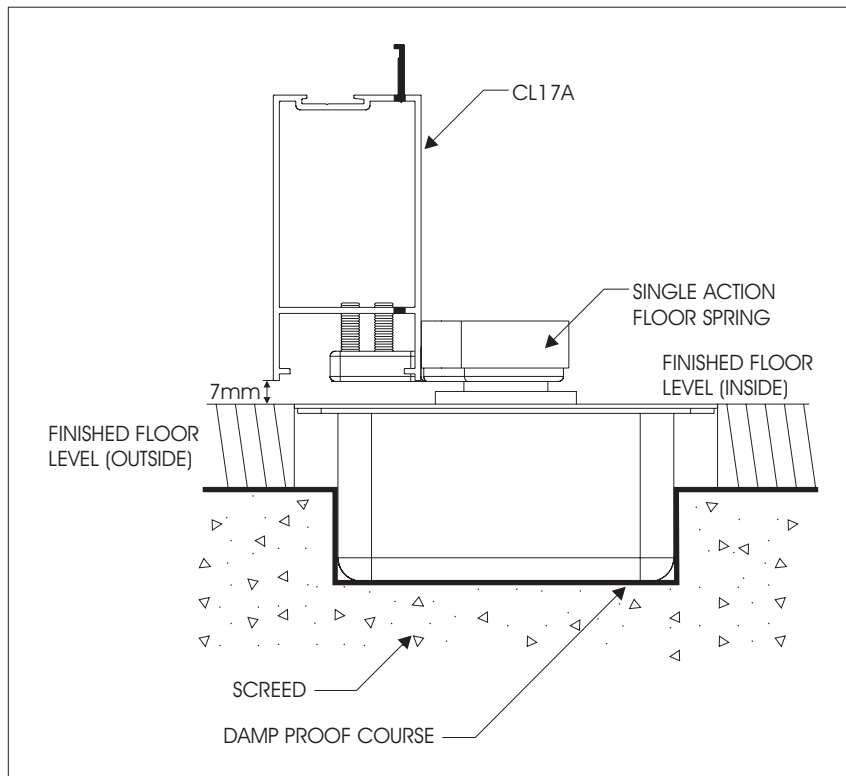
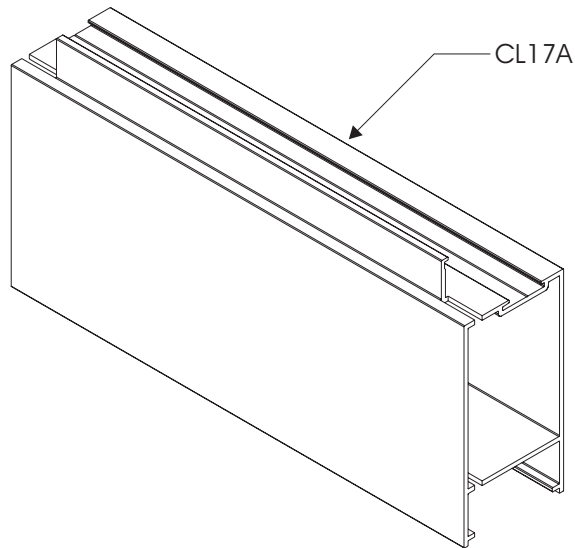


HEAD OPTION 3
DOUBLE ACTION
R4 HEAD/SILL RAIL 85mm (CL17A)
26B RECESSED BACK (CL02A)
PIVOT DOOR HEAD ADAPTOR (CL44A)
R4 SILL END FILLER (CL20A)

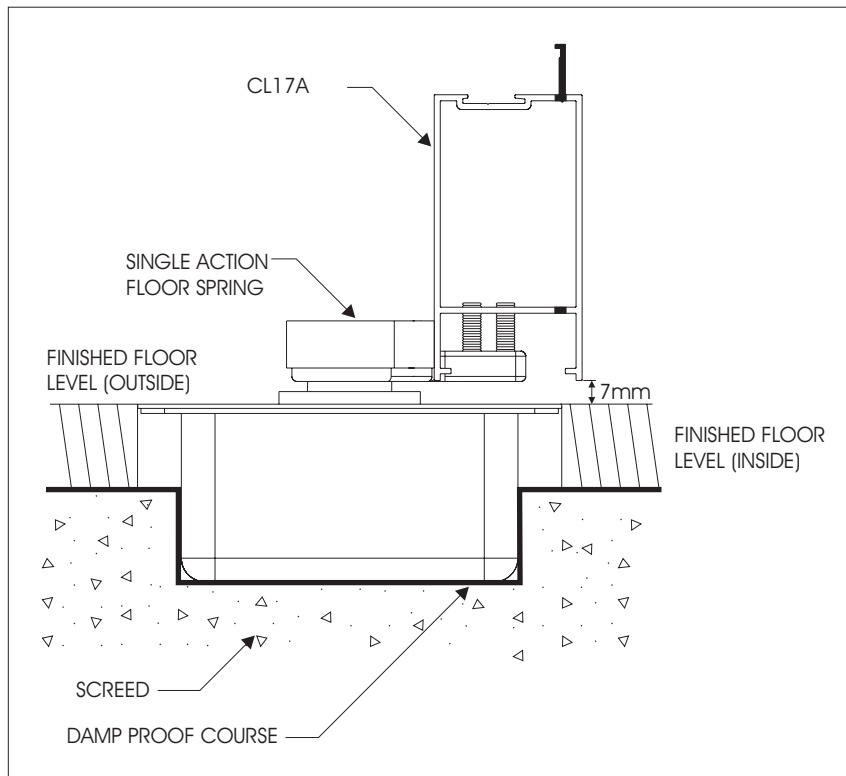
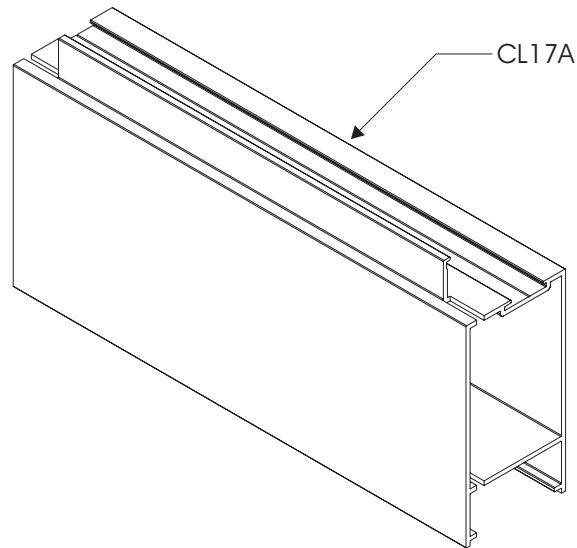
SHEERFRONT CLIP 15 SYSTEM SILL COMBINATIONS



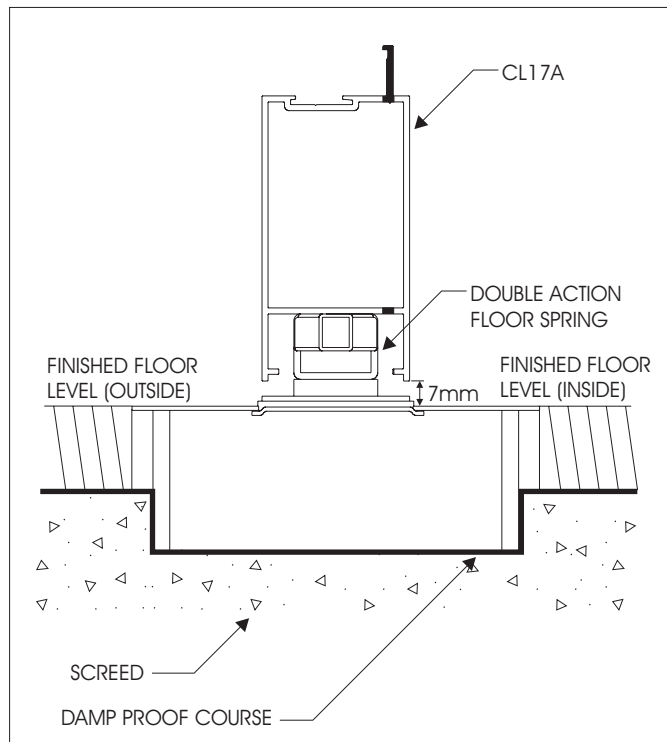
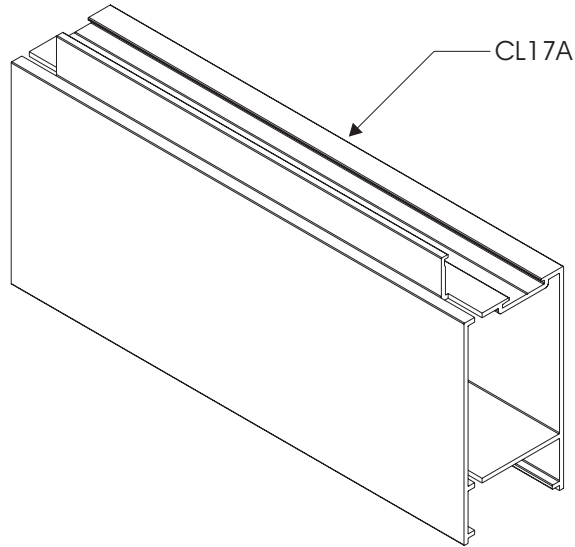
SHEERFRONT CLIP 15 SYSTEM
SWING DOOR SILL OPTION 1
INWARD OPENING SINGLE ACTION
FLOOR LEVEL DETAIL



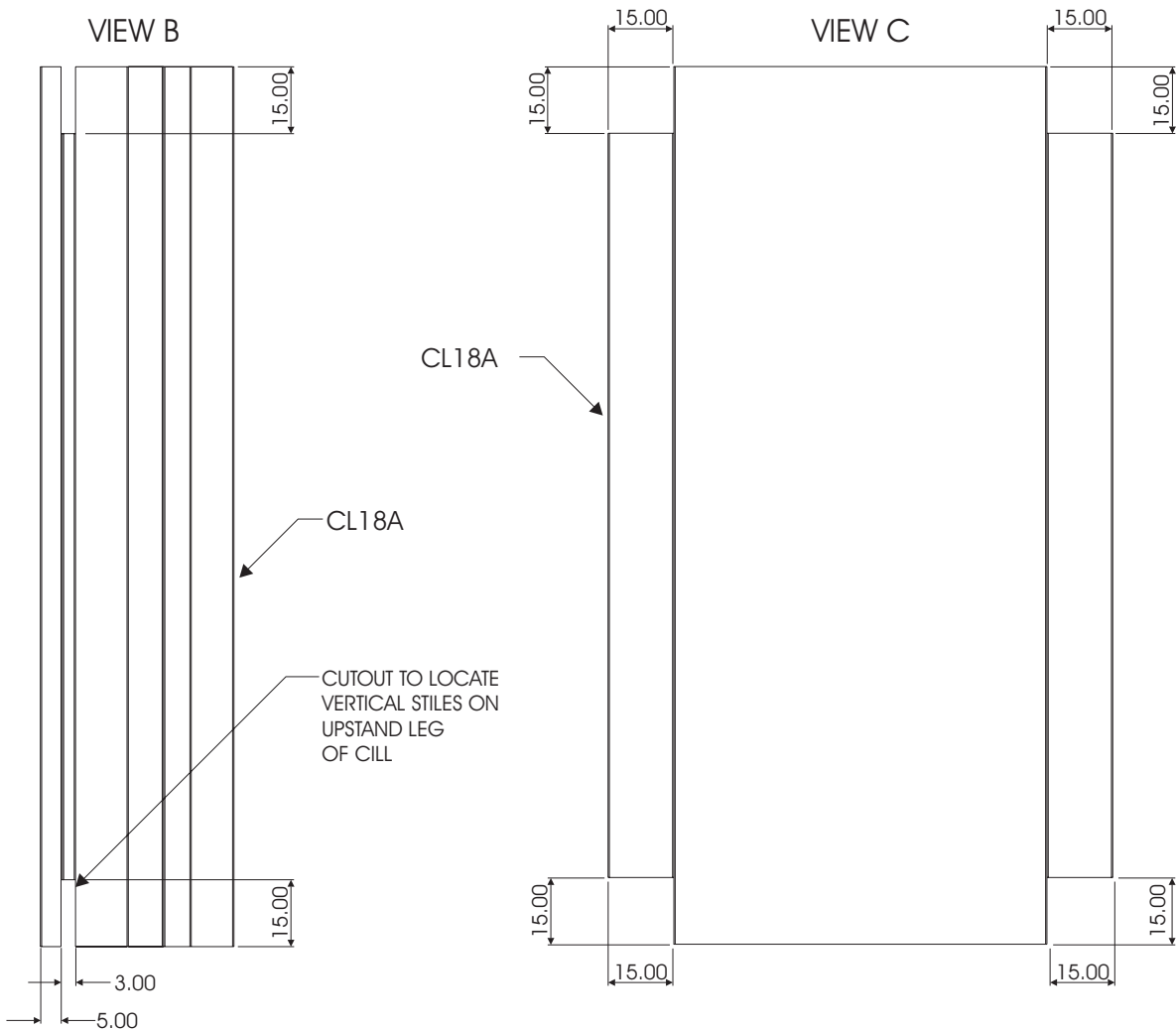
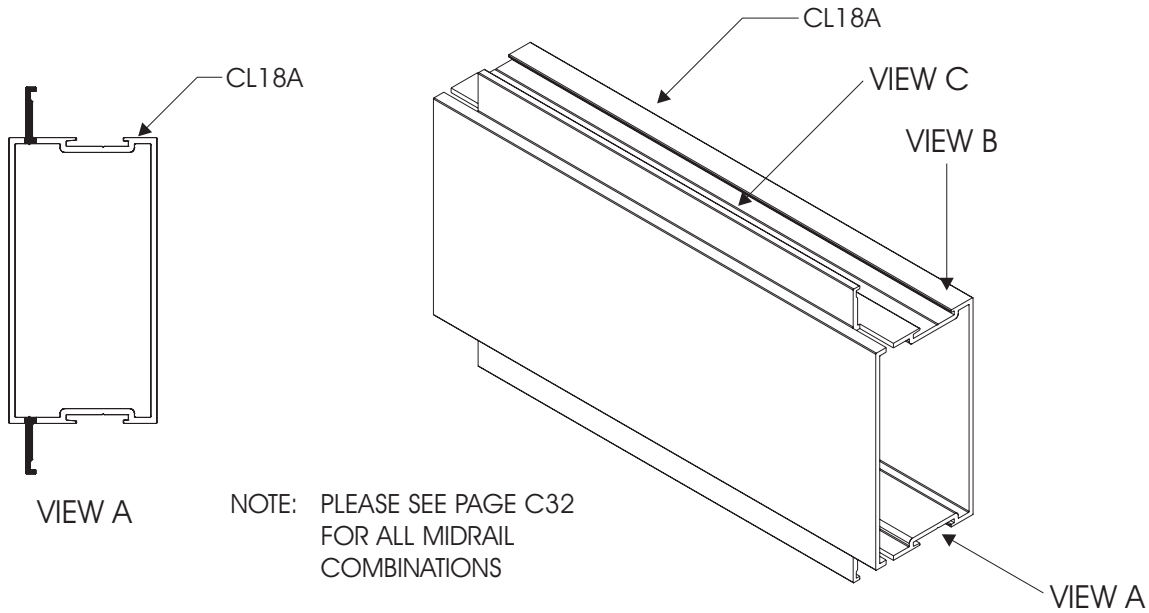
SHEERFRONT CLIP 15 SYSTEM
SWING DOOR SILL OPTION 2
OUTWARD OPENING SINGLE ACTION
FLOOR LEVEL DETAIL



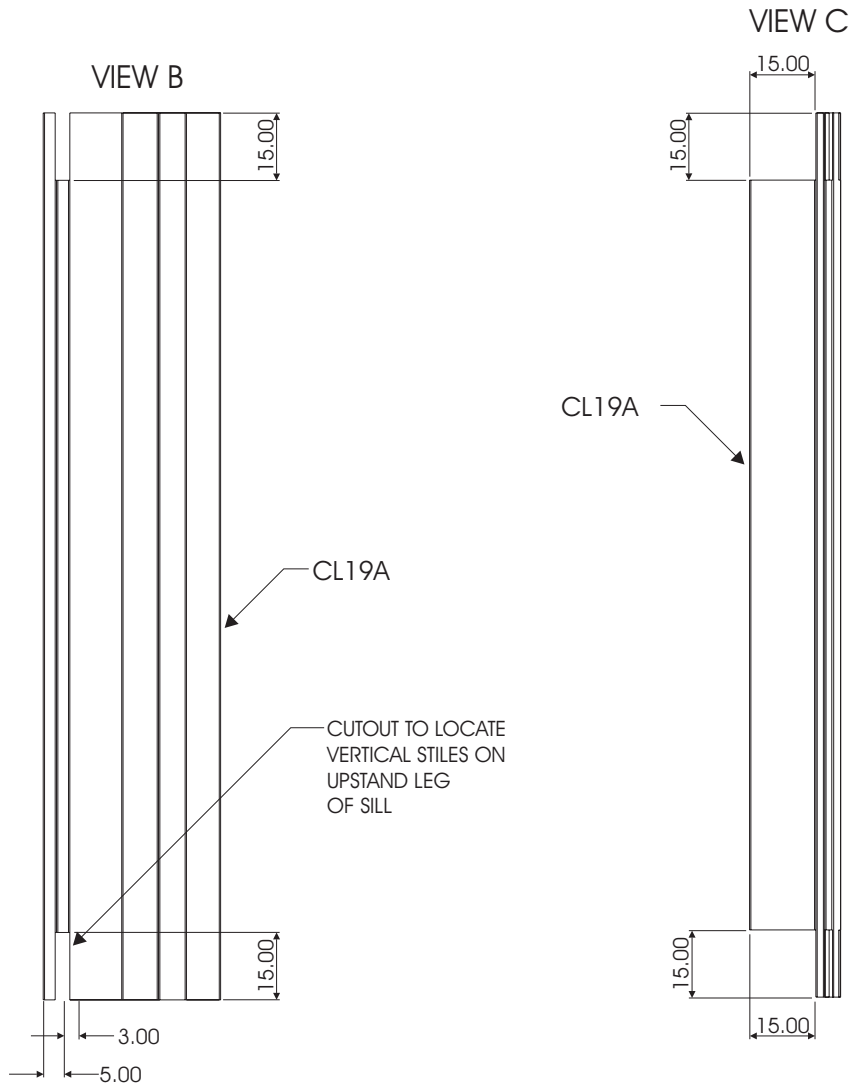
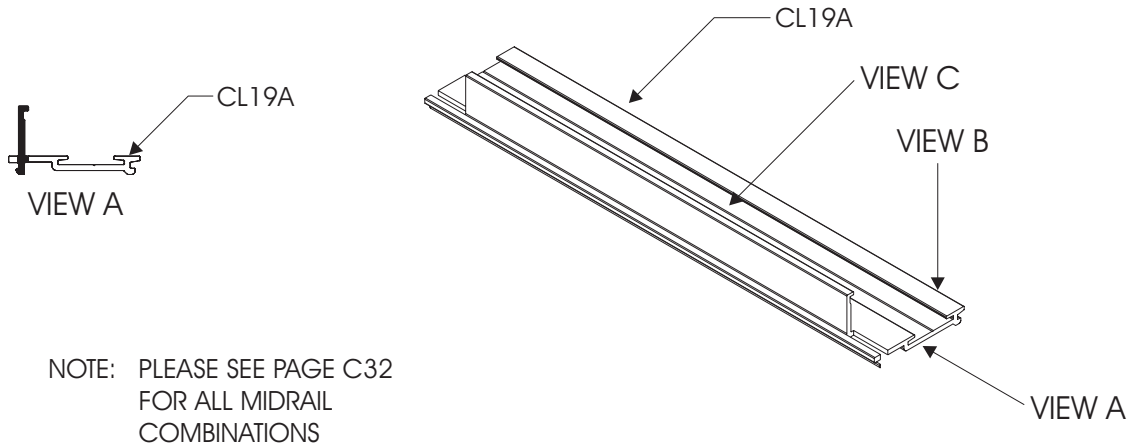
SHEERFRONT CLIP 15 SYSTEM
SWING DOOR SILL OPTION 3
DOUBLE ACTION
FLOOR LEVEL DETAIL



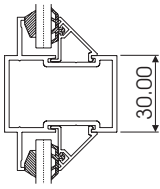
SHEERFRONT CLIP 15 SYSTEM SWING DOOR MIDRAIL MACHINING DETAIL TO SUIT ALL COMBINATIONS



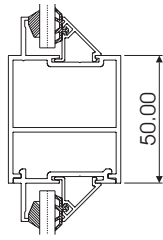
SHEERFRONT CLIP 15 SYSTEM R4 FILLER ADAPTOR MACHINING DETAIL



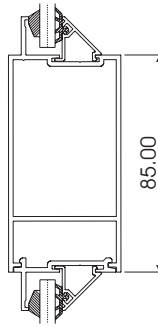
SHEERFRONT CLIP 15 SYSTEM MIDRAIL COMBINATIONS



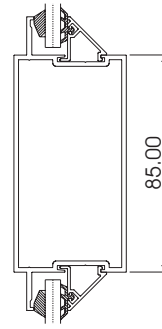
W44
(CL09A)



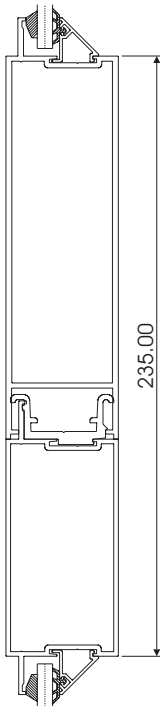
R7 + R4 FILLER
(CL22A + CL19A)



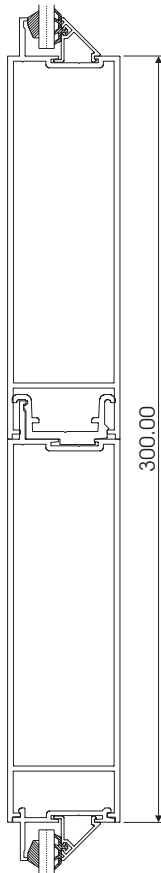
R4 + R4 FILLER
(CL17A + CL19A)



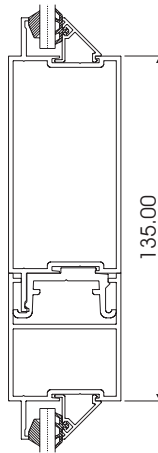
R4SP
(CL18A)



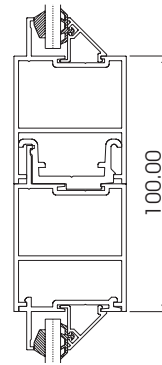
R6 + R4SP
(CL56A + CL18A)



R6 + R6 + R4 FILLER
(CL56A + CL56A + CL19A)



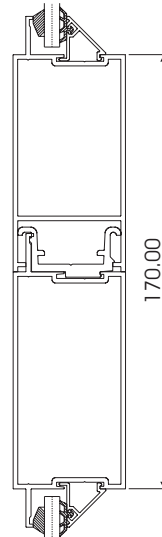
R7 + R4SP
(CL22A + CL18A)



R7 + R7 + R4 FILLER
(CL22A + CL22A + CL19A)

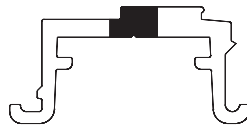
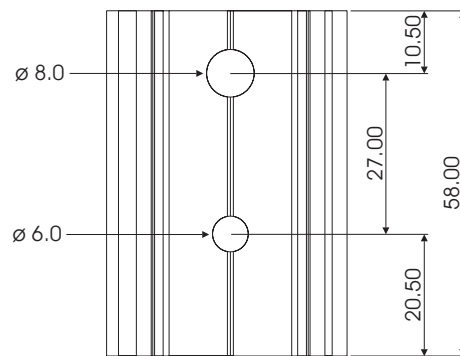
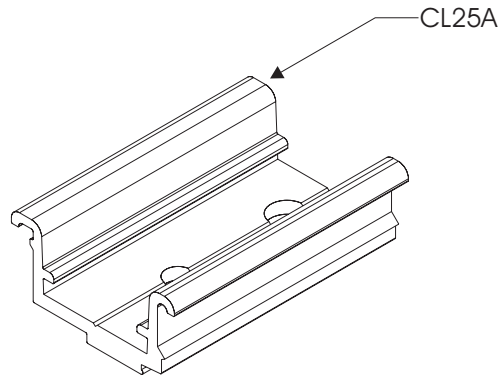


R6 + R4 FILLER
(CL56A + CL19A)

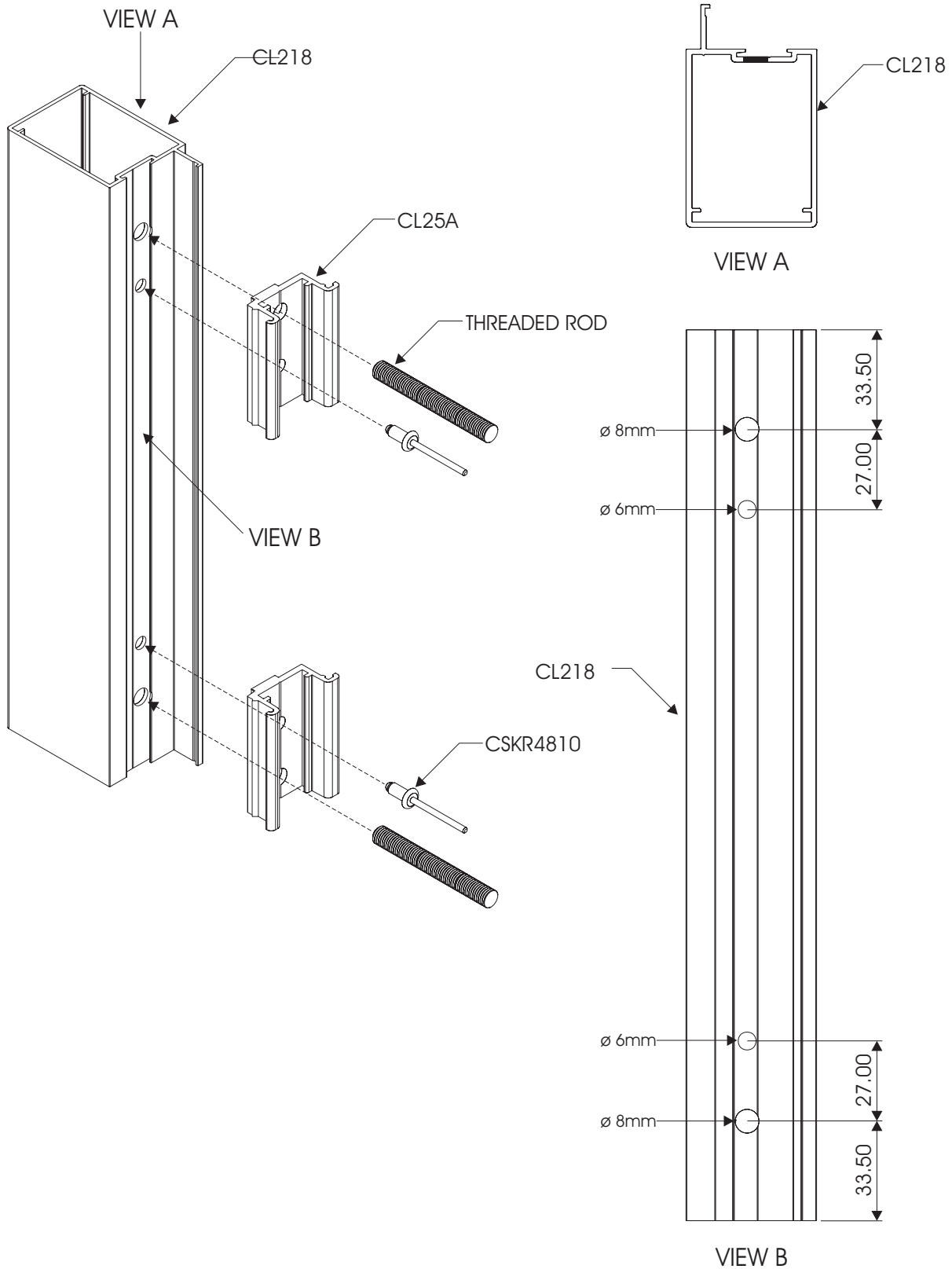


R4 + R4SP
(CL17A + CL18A)

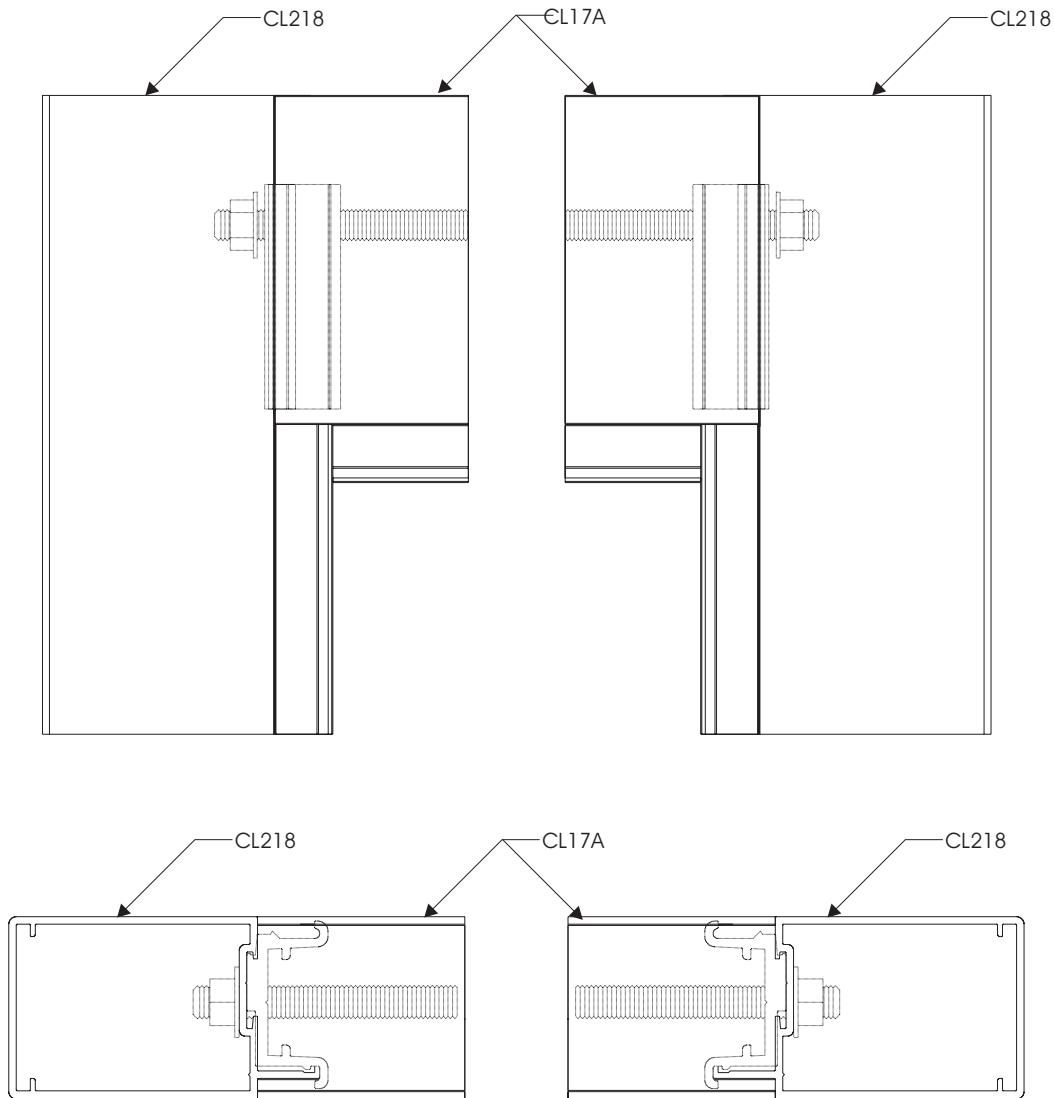
SHEERFRONT CLIP 15 SYSTEM
SPIGOT MACHINING DETAIL
CL25A



SHEERFRONT CLIP 15 SYSTEM DOOR STILE MACHINING DETAIL



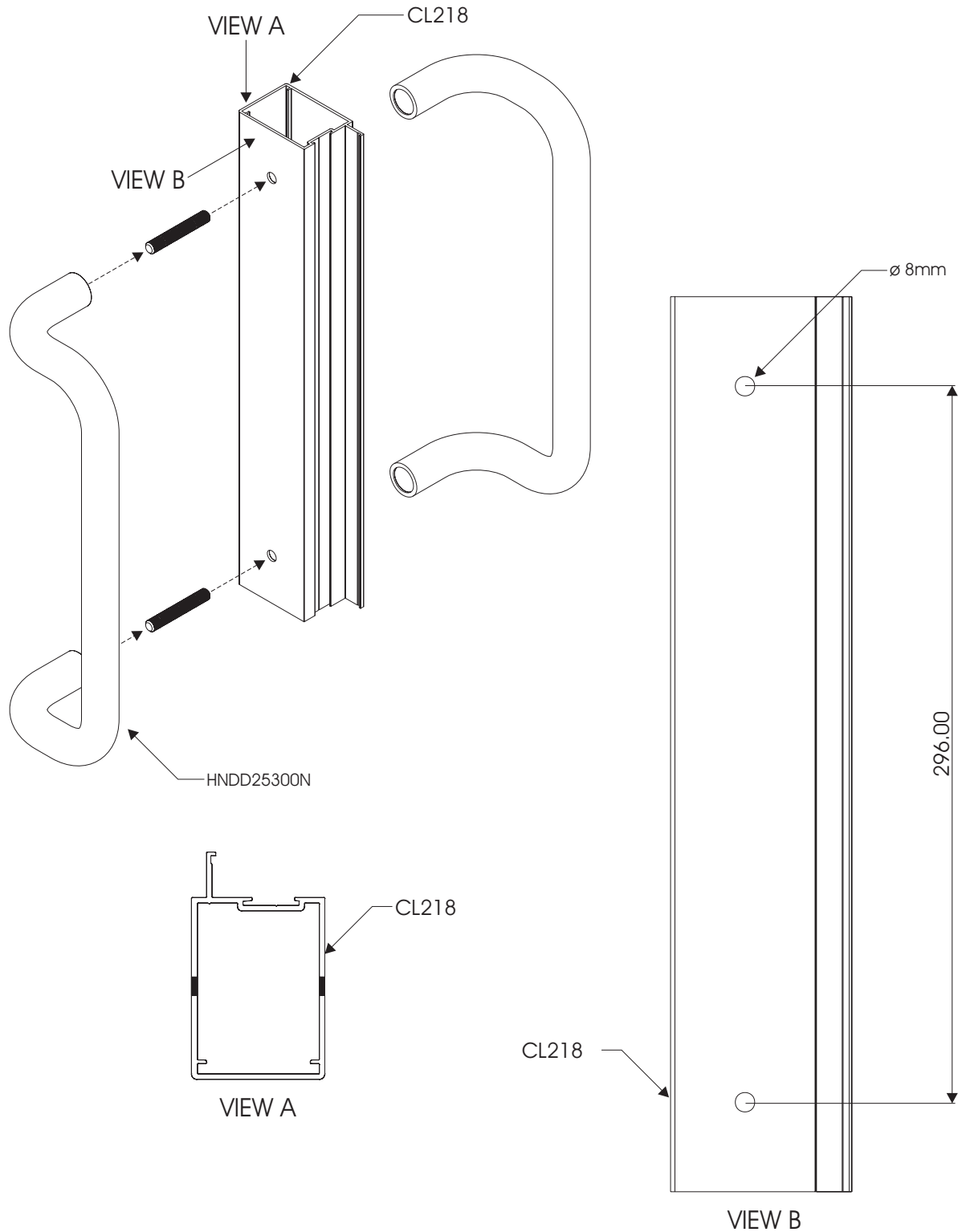
SHEERFRONT CLIP 15 SYSTEM ROD & SPIGOT ASSEMBLY DETAIL



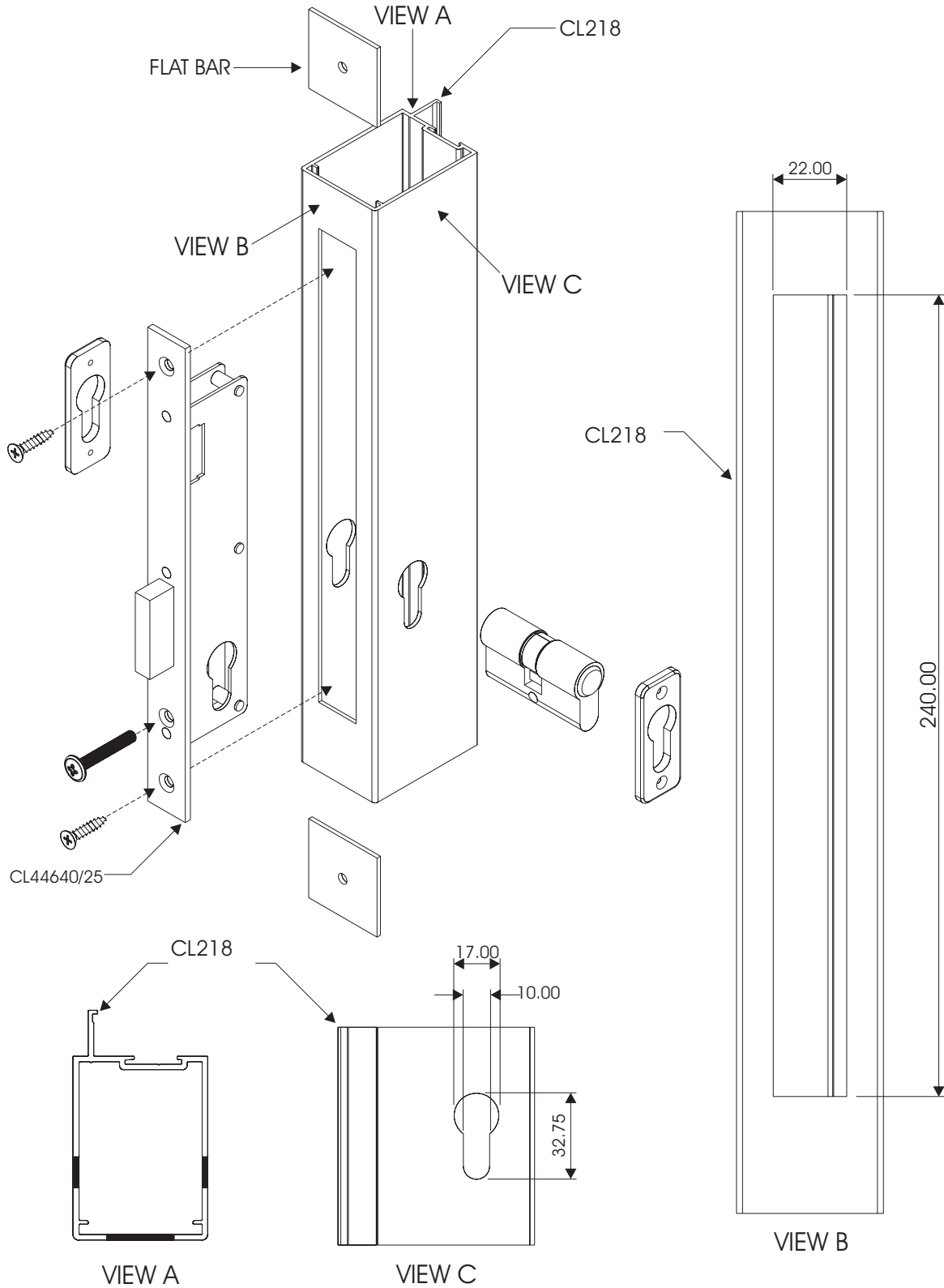
DETAIL TYPICAL TO HEAD AND SILL OF SWING DOOR

1. ATTACH SPIGOTS TO STILES WITH NO 8 FIXING SCREWS (SC0840P)
2. FASTEN STILES TO TOP AND BOTTOM RAILS WITH NUTS (SHW07HN) AND THREADED RODS (SHW07). USE WASHERS (SHW07WS).
3. ENSURE ALL MATING JOINTS ARE BEDDED IN SEALANT BEFORE ASSEMBLY.

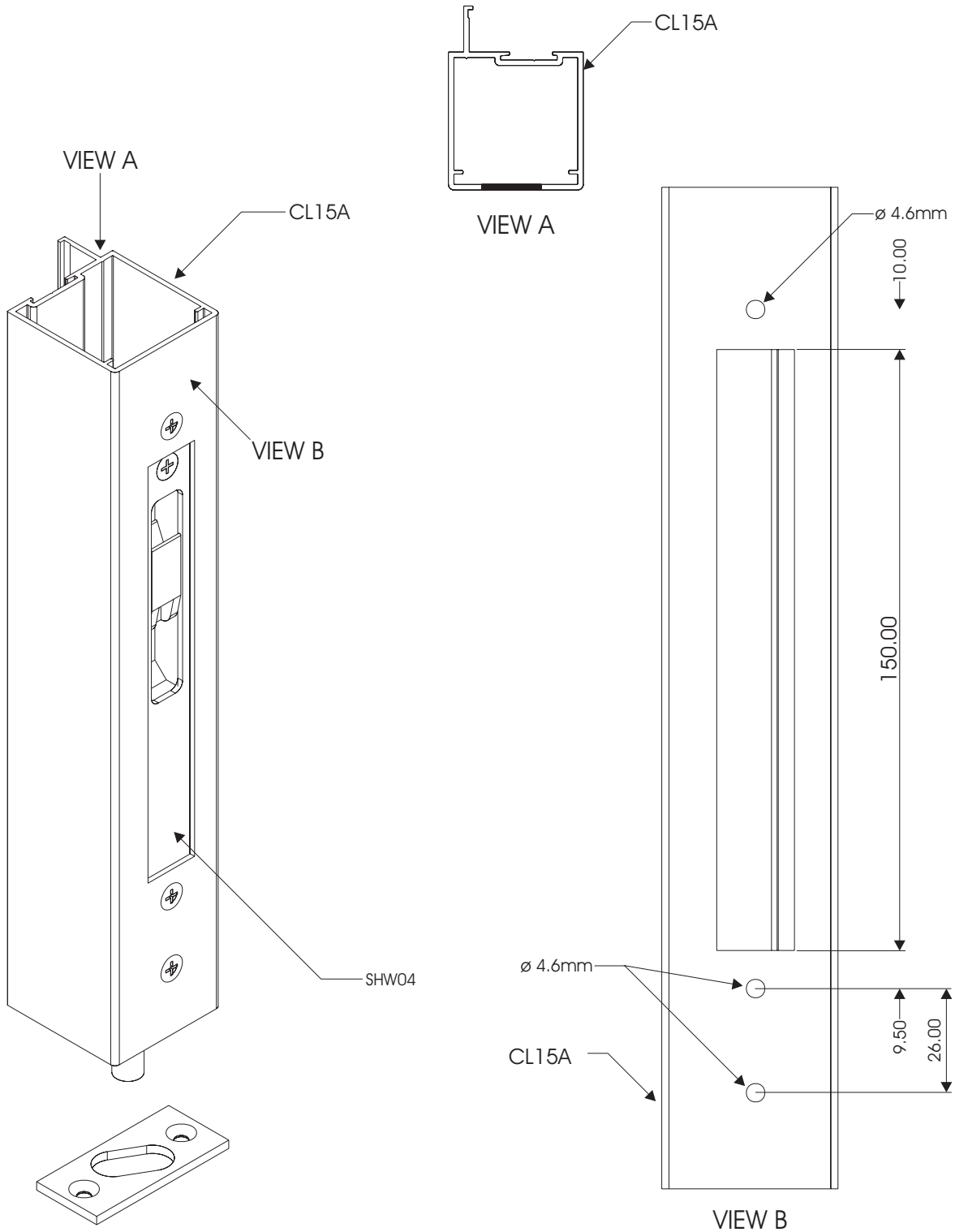
SHEERFRONT CLIP 15 SYSTEM
SWING DOOR HANDLE
MACHINING DETAIL
HNDD25300N



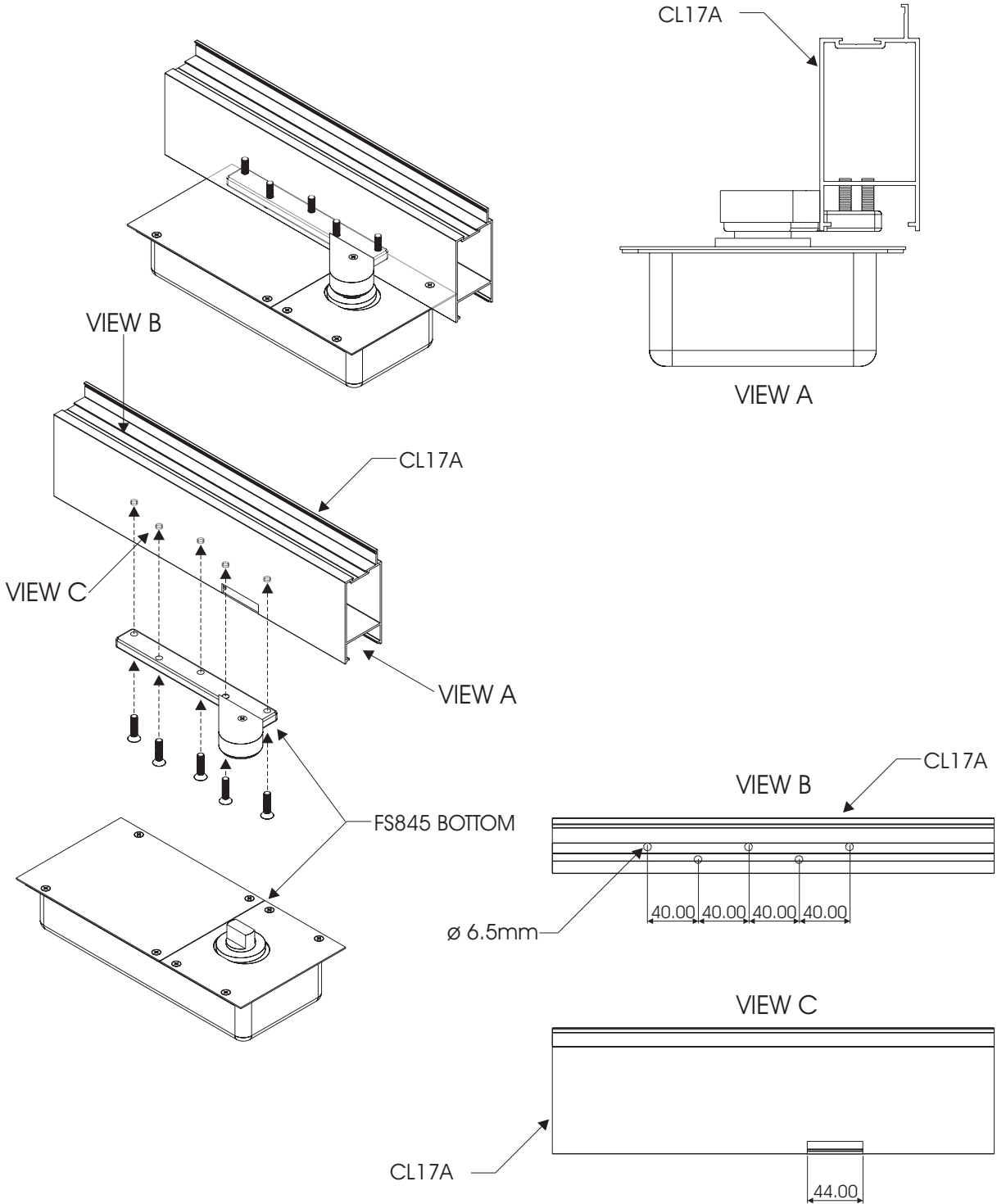
SHEERFRONT CLIP 15 SYSTEM
 SWING DOOR LOCK
 MACHINING DETAIL
 CL44640/25



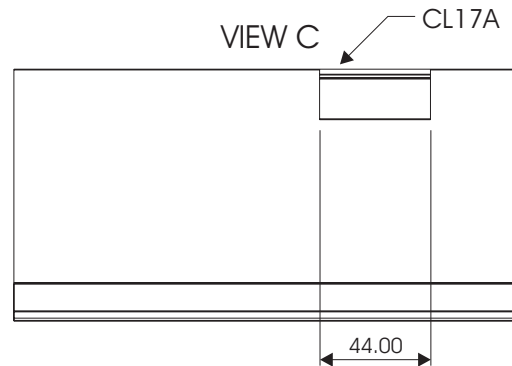
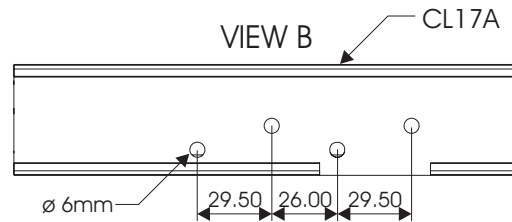
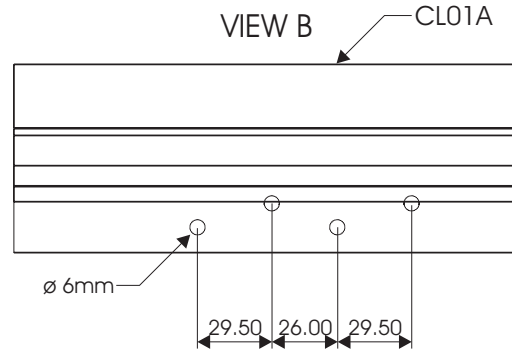
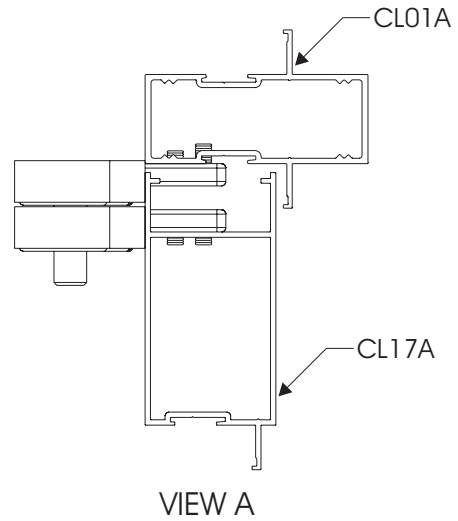
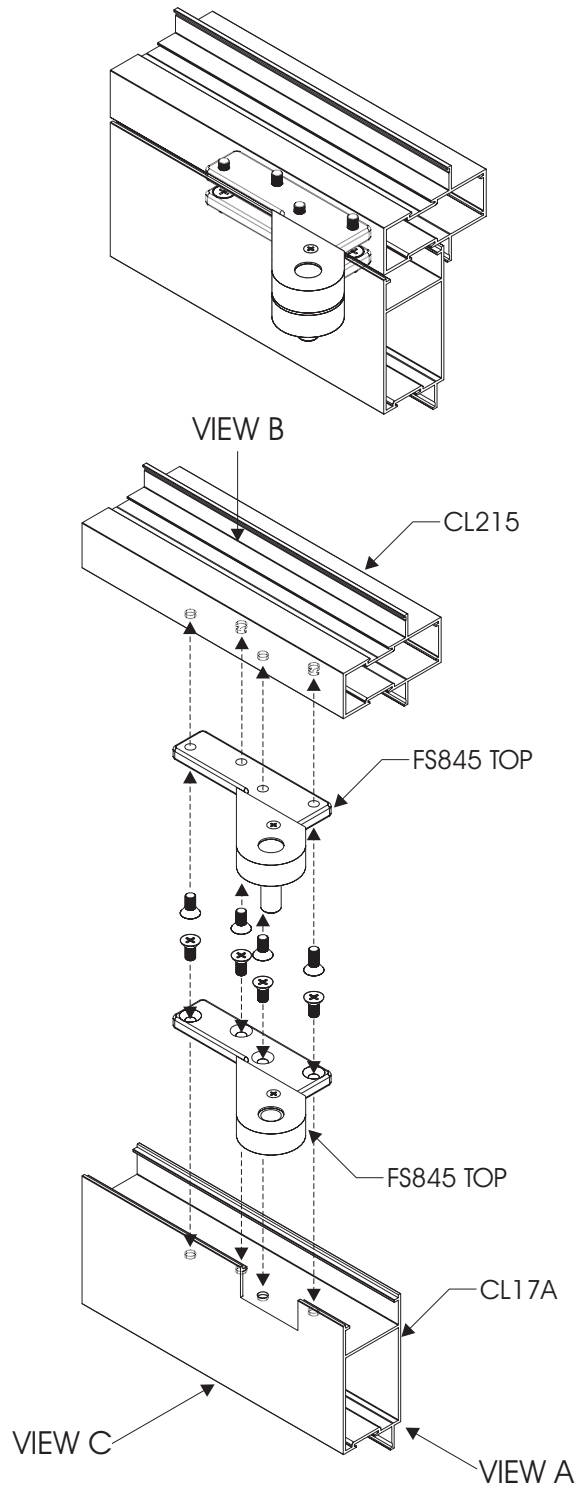
SHEERFRONT CLIP 15 SYSTEM
 FLUSH BOLT MACHINING DETAIL
 ON R1 DOOR JAMB USED IN MEETING STILE
 TO SUIT: R3SP; R9; R9W; R11 & R11W
 SHW01N



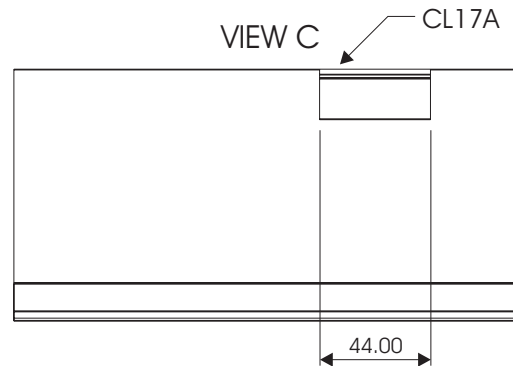
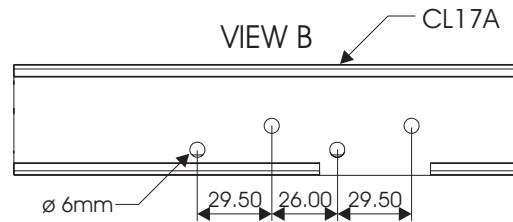
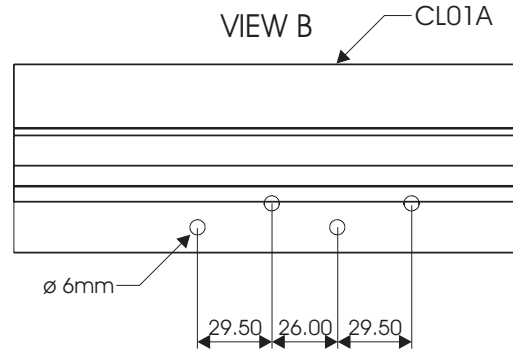
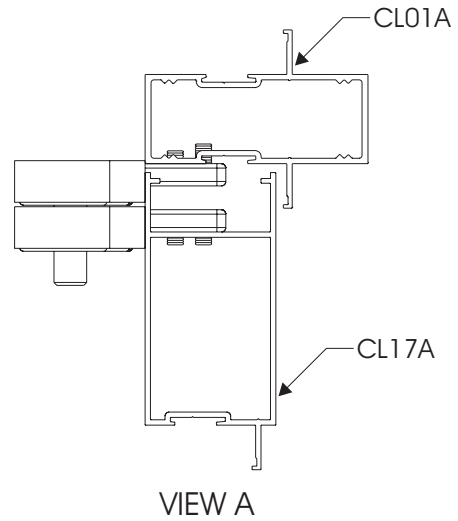
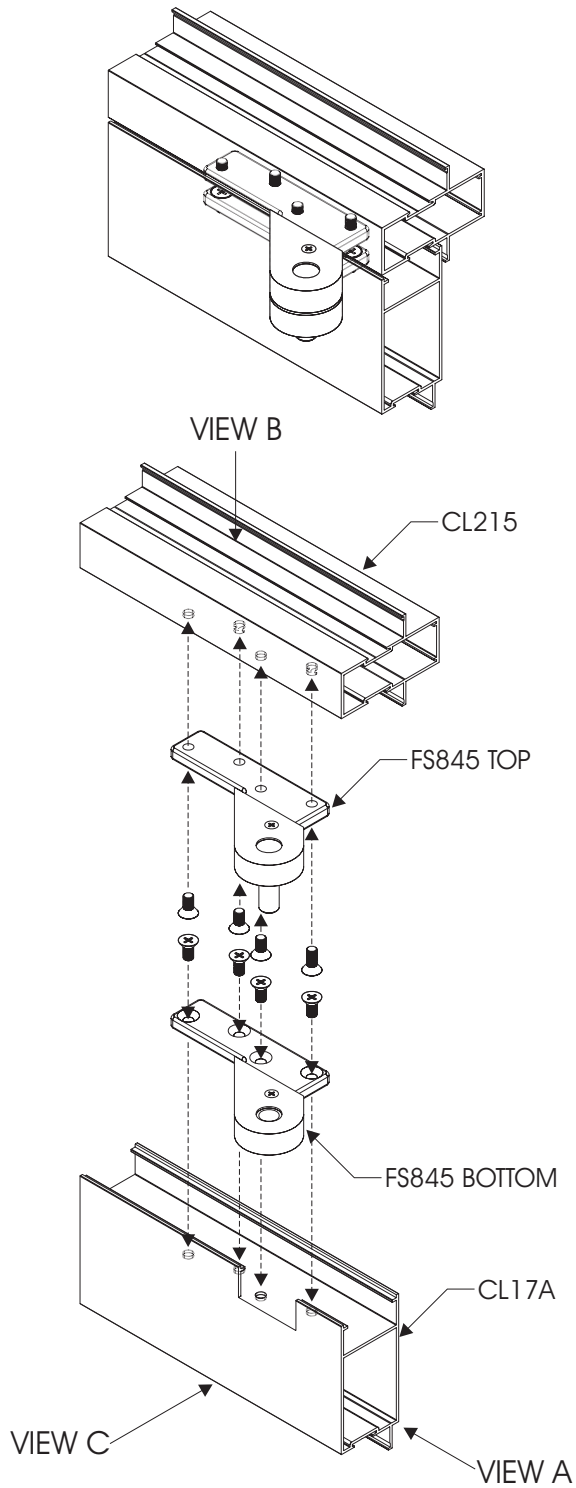
SHEERFRONT CLIP 15 SYSTEM
 SINGLE ACTION FLOOR SPRING
 MACHINING & ASSEMBLY DETAIL
 ON SILL SECTION OF
 OUTWARD OPENING SWING DOOR



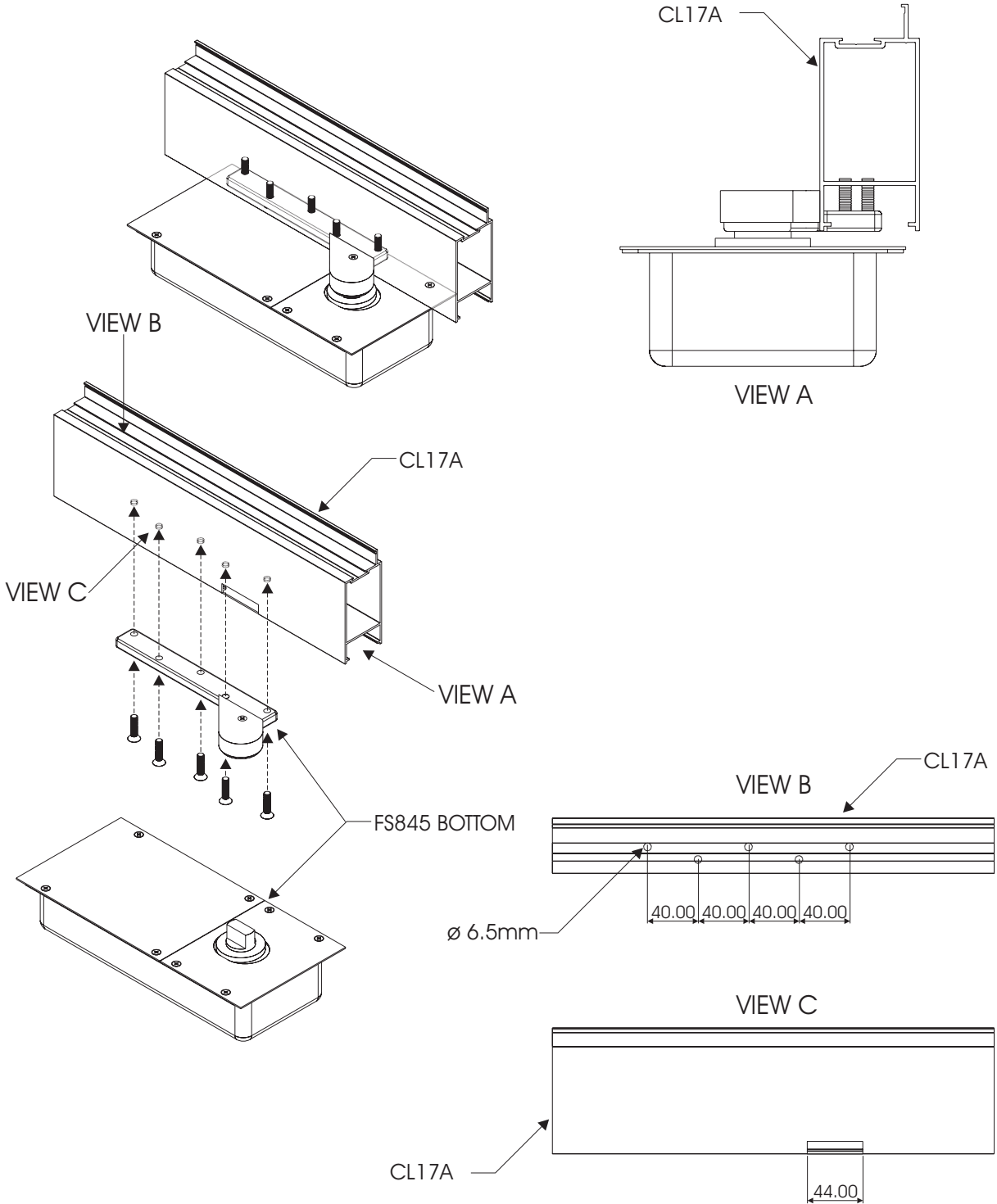
SHEERFRONT CLIP 15 SYSTEM
 SINGLE ACTION FLOOR SPRING
 MACHINING & ASSEMBLY DETAIL
 ON HEAD SECTION OF
 OUTWARD OPENING SWING DOOR



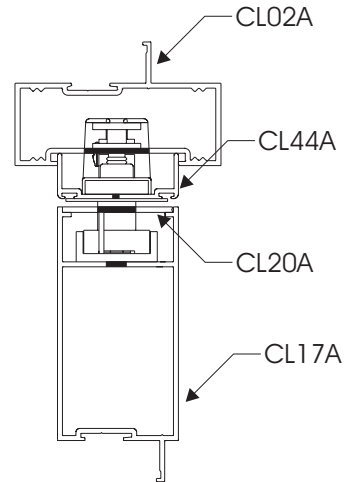
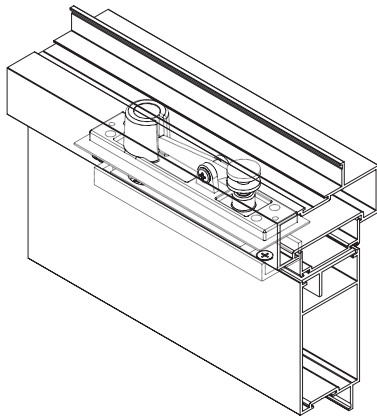
SHEERFRONT CLIP 15 SYSTEM
 SINGLE ACTION FLOOR SPRING
 MACHINING & ASSEMBLY DETAIL
 ON HEAD SECTION OF
 OUTWARD OPENING SWING DOOR



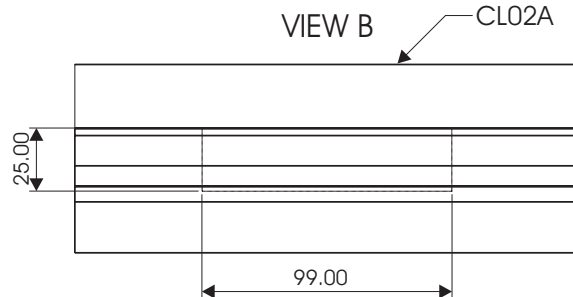
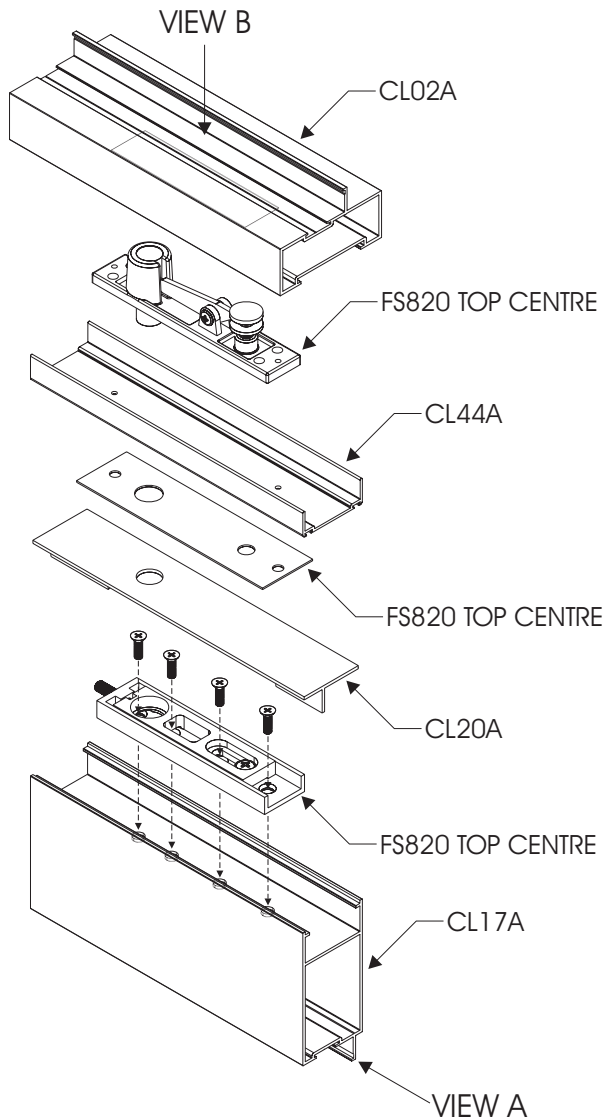
SHEERCLIP 15 SHOPFRONT SYSTEM
 SINGLE ACTION FLOOR SPRING
 MACHINING & ASSEMBLY DETAIL
 ON SILL SECTION OF
 OUTWARD OPENING SWING DOOR



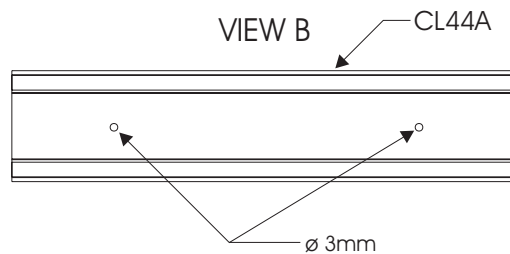
SHEERFRONT CLIP 15 SYSTEM DOUBLE ACTION FLOOR SPRING MACHINING & ASSEMBLY DETAIL ON HEAD SECTION OF SWING DOOR



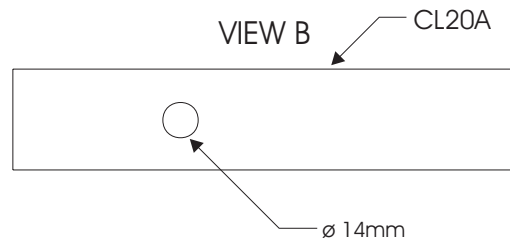
VIEW A



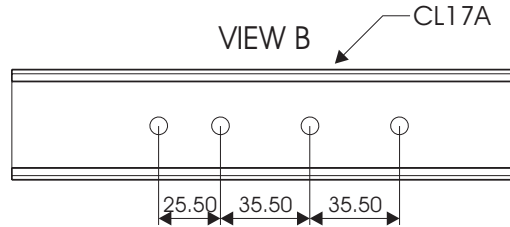
VIEW B



VIEW B



VIEW B



VIEW B

SHEERFRONT CLIP 15 SYSTEM
 DOUBLE ACTION FLOOR SPRING
 MACHINING & ASSEMBLY DETAIL
 ON SILL SECTION OF SWING DOOR

